

PVM-1271Q

SERVICE MANUAL

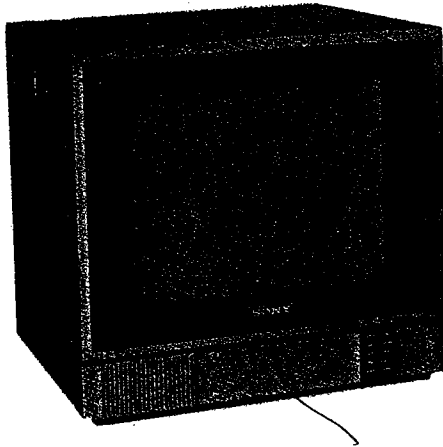
US Model

Chassis No. SCC-611A-A

US Model

Canadian Model

Chassis No. SCC-585A-A



October, 1984

SPECIFICATIONS

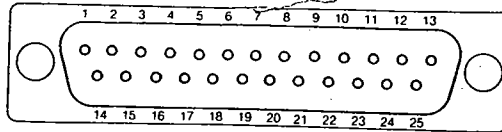
Color system	PAL, SECAM, NTSC and NTSC _{4,43} systems, switched automatically	Inputs	VIDEO IN: BNC connector
Picture tube	Trinitron tube Approx. 33 cm (13 inches), 90-degree deflection, Super Fine Pitch 0.25 mm (Approx. 31 cm picture measured diagonally)		VTR: 8-pin connector, Pin No. 2 (pin No. 6: ground) composite 1 Vp-p ±6 dB, sync negative, 75 ohms and high impedance switchable
Resolution	RGB inputs: 600 lines, 640 × 200 dots Composite input: 550 lines		AUDIO IN: mini jack VTR: 8-pin connector, Pin No. 1 (pin No. 5: ground) -5 dBs, high impedance
Color temperature	PVM-1271Q: 9,300°K PVM-1371QM: 6,500°K (Can be changed to either temperature by an internal switch. For switching of the color temperature, consult your authorized Sony dealer.)		EXT SYNC IN: BNC connector composite sync 2 - 8 Vp-p, negative, 75 ohms and high impedance switchable
Frequency response	10 MHz (-3 dB, RGB) 5.5 MHz (-3 dB, composite video)		RGB IN: BNC connector 0.7 Vp-p, ±6 dB, 75 ohms, non composite
Horizontal linearity	±8%		AUDIO (RGB) IN: mini jack -5 dBs, high impedance
Vertical linearity	±5%		CMPTR: 25-pin connector For details, see "CMPTR connector"
Line pull range	Horizontal ±500 Hz Vertical 8 Hz	Outputs	VIDEO OUT: BNC connector AUDIO OUT: mini jack Output level 1 W
Overscan of the picture	5%		EXT SYNC OUT: BNC connector
Underscan of the picture	9%		RGB OUT: BNC connector
Return loss	4 MHz, 35 dB (LINE A, LINE B)		AUDIO (RGB) OUT: mini jack Loop-through
Zooming	Within 2%	Power requirements	PVM-1271Q: 120 V ac, 50/60 Hz PVM-1371QM: 220 - 240 V ac, 50/60 Hz
Convergence	Central area 0.6 mm Periphery 0.8 mm	Power consumption	PVM-1271Q: 105 W PVM-1371QM: 90 W
Brightness	More than 35 foot-lamberts	Dimensions	Approx. 346 × 330 × 387 mm (w/h/d) (13 ^{3/8} × 13 × 15 ^{1/4} inches)
		Weight	Approx. 14.5 kg (31 lb 15 oz)



TRINITRON®
COLOR VIDEO MONITOR
SONY®

MON

CMPTR connector (25-pin)
Pin assignment



Pin No.	Signal	Signal level
1*	IBM select	High state (5 V): IBM mode Low state: 3 Bit TTL
2	Audio select	High state (5 V or open): Audio inputs from pin 13. Low state (less than 0.4 V): Audio inputs from the LINE A AUDIO IN jack
3	H. sync or composite sync	Negative polarity When the high state is selected at pin 9: 1 V p-p, 75-ohm terminated When the low state is selected at pin 9: TTL level
4	Blue input	Positive polarity When the high state is selected at pin 9: Analog signal (0.7 V p-p, 75-ohm terminated, non sync) When the low state is selected at pin 9: Digital signal (TTL level)
5	Green input	
6	Red input	
7	+ 12 V power supply	0.3 A max
8	+ 5 V power supply	0.6 A max
9*	Analog/digital mode select	High state (open): Analog signal (0.7 V p-p) Low state (ground): Digital signal (TTL level)
Pin No.	Signal	Signal level
10	RGB/NORMAL mode select	High state (5 V or open): RGB inputs from a microcomputer Low state (ground): Composite video inputs from the LINE A VIDEO IN connector
11	V-sync	Negative polarity TTL level
12	Blanking	High state (5 V or open): Video inputs from a microcomputer only Low state (ground): Composite video input from the LINE A VIDEO IN connector During the low state, the video signal from the microcomputer is blanked and the composite video signal from the LINE A VIDEO IN connector is superimposed over the signal from the microcomputer.
13	Audio input	Input level -5 dB (100% modulation), input impedance more than 47 k ohms
14	EXT/INT mode sync switch	High state (open): Sync signal input from the CMPTR connector Low state: Sync signal input from the LINE A VIDEO IN connector
15-24	Ground	
25*	IBM luminance signal	Positive polarity When the high state is selected at pin 1: TTL level When the low state is selected at pin 1: Low state (ground)

* Examples for microcomputer connections

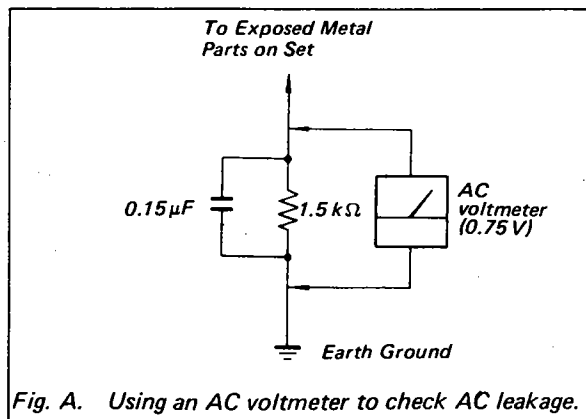
Pin No.	1	9	25
Microcomputer			
SMC-70/SMC-70G	—	High state	—
IBM computer	High state	Low state	IBM luminance signal
TTL 3BIT computer	Low state	Low state	Low state

While the information given is true at the time of printing, small production changes in the course of our company's policy of improvement through research and design might not necessarily be indicated in the specifications. We would ask you to check with your appointed Sony dealer if clarification on any point is required.

SAFETY CHECK-OUT

After correcting the original service problem, perform the following safety checks before releasing the set to the customer:

1. Check the area of your repair for unsoldered or poorly-soldered connections. Check the entire board surface for solder splashes and bridges.
2. Check the interboard wiring to ensure that no wires are "pinched" or contact high-wattage resistors.
3. Check that all control knobs, shields, covers, ground straps, and mounting hardware have been replaced. Be absolutely certain that you have replaced all the insulators.
4. Look for unauthorized replacement parts, particularly transistors, that were installed during a previous repair. Point them out to the customer and recommend their replacement.
5. Look for parts which, though functioning, show obvious signs of deterioration. Point them out to the customer and recommend their replacement.
6. Check the line cord for cracks and abrasion. Recommend the replacement of any such line cord to the customer.
7. Check the condition of the monopole antenna (if any).
Make sure the end is not broken off, and has the plastic cap on it. Point out the danger of impalement on a broken antenna to the customer, and recommend the antenna's replacement.
8. Check the B+ and HV to see they are at the values specified. Make sure your instruments are accurate; be suspicious of your HV meter if sets always have low HV.
9. Check the antenna terminals, metal trim, "metallized" knobs, screws, and all other exposed metal parts for AC leakage. Check leakage as described below.



LEAKAGE TEST

The AC leakage from any exposed metal part to earth ground and from all exposed metal parts to any exposed metal part having a return to chassis, must not exceed 0.5 mA (500 microamperes). Leakage current can be measured by any one of three methods.

1. A commercial leakage tester, such as the Simpson 229 or RCA WT-540A. Follow the manufacturers' instructions to use these instruments.
2. A battery-operated AC milliammeter. The Data Precision 245 digital multimeter is suitable for this job.
3. Measuring the voltage drop across a resistor by means of a VOM or battery-operated AC voltmeter. The "limit" indication is 0.75 V, so analog meters must have an accurate low-voltage scale. The Simpson 250 and Sanwa SH-63Trd are examples of a passive VOM that is suitable. Nearly all battery operated digital multimeters that have a 2V AC range are suitable. (See Fig. A)

HOW TO FIND A GOOD EARTH GROUND

A cold-water pipe is guaranteed earth ground; the cover-plate retaining screw on most AC outlet boxes is also at earth ground. If the retaining screw is to be used as your earth-ground, verify that it is at ground by measuring the resistance between it and a cold-water pipe with an ohmmeter. The reading should be zero ohms. If a cold-water pipe is not accessible, connect a 60-100 watts trouble light (not a neon lamp) between the hot side of the receptacle and the retaining screw. Try both slots, if necessary, to locate the hot side of the line, the lamp should light at normal brilliance if the screw is at ground potential. (See Fig. B)

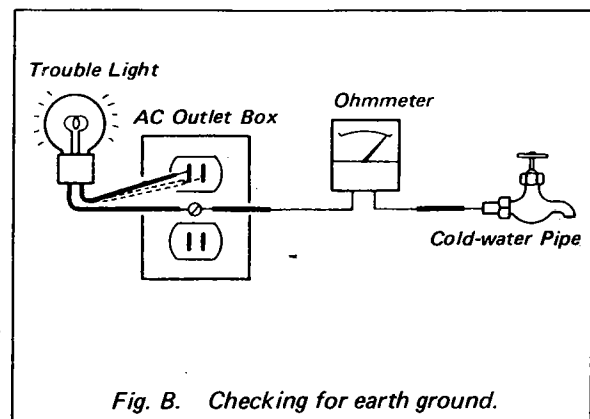




TABLE OF CONTENTS

<u>Section</u>	<u>Title</u>	<u>Page</u>	<u>Section</u>	<u>Title</u>	<u>Page</u>
1. GENERAL					
1-1.	Features	5	3-3.	Circuit Adjustments	23
1-2.	Precautions	5	3-3-1.	D Board Adjustments	23
1-3.	Location of Controls	6	3-3-2.	B Board Adjustments	27
1-4.	Function of Controls	7	3-3-3.	Q Board Adjustments	31
1-5.	System Connections	9			
2. DISASSEMBLY			4. DIAGRAMS		
2-1.	Cabinet Ass'y Removal	12	4-1.	Block Diagram	35
2-2.	B Board Removal	12	4-2.	Circuit Boards Locating	38
2-3.	Chassis Ass'y Removal	13	4-3.	Waveforms	39
2-4.	F board Removal (1)	14	4-4.	Schematic Diagram	43
2-5.	F board Removal (2)	14	4-5.	Printed Wiring Boards	51
2-6.	Picture Tube Removal	15	B Board	51	
			D Board	52	
			Q Board	54	
			H Board	55	
			C ₁ Board	56	
			C ₂ Board	57	
			F and F ₂ Boards	58	
			4-6.	Semiconductors	59
3. ADJUSTMENTS			5. EXPLODED VIEWS		
3-1.	Setup Adjustments	16	5-1.	Cabinet	60
3-1-1.	Beam Landing	16	5-2.	Bezel	61
3-1-2.	Convergence	17	5-3.	Chassis	62
3-1-3.	Focus	17			
3-1-4.	White Balance	18			
3-2.	Safety Related Adjustments	20	6. ELECTRICAL PARTS LIST		63

SAFETY-RELATED COMPONENT WARNING !!

COMPONENTS IDENTIFIED BY SHADING AND MARK  ON THE SCHEMATIC DIAGRAMS, EXPLODED VIEWS AND IN THE PARTS LIST ARE CRITICAL TO SAFE OPERATION. REPLACE THESE COMPONENTS WITH SONY PARTS WHOSE PART NUMBERS APPEAR AS SHOWN IN THIS MANUAL OR IN SUPPLEMENTS PUBLISHED BY SONY. CIRCUIT ADJUSTMENTS THAT ARE CRITICAL TO SAFE OPERATION ARE IDENTIFIED IN THIS MANUAL. FOLLOW THESE PROCEDURES WHENEVER CRITICAL COMPONENTS ARE REPLACED OR IMPROPER OPERATION IS SUSPECTED.

ATTENTION AUX COMPOSANTS RELATIFS À LA SÉCURITÉ!!

LES COMPOSANTS IDENTIFIÉS PAR UNE TRAME ET PAR UNE MARQUE  SUR LES SCHÉMAS DE PRINCIPE, LES VUES EXPLOSÉES ET LES LISTES DE PIÈCES SONT D'UNE IMPORTANCE CRITIQUE POUR LA SÉCURITÉ DU FONCTIONNEMENT. NE LES REMPLACER QUE PAR DES COMPOSANTS SONY DONT LE NUMÉRO DE PIÈCE EST INDIQUÉ DANS LE PRÉSENT MANUEL OU DANS DES SUPPLÉMENTS PUBLIÉS PAR SONY. LES RÉGLAGES DE CIRCUIT DONT L'IMPORTANCE EST CRITIQUE POUR LA SÉCURITÉ DU FONCTIONNEMENT SONT IDENTIFIÉS DANS LE PRÉSENT MANUEL. SUIVRE CES PROCÉDURES LORS DE CHAQUE REMPLACEMENT DE COMPOSANTS CRITIQUES, OU LORSQU'UN MAUVAIS FONCTIONNEMENT EST SUSPECTÉ.

SECTION 1

GENERAL

1-1. FEATURES

High-resolution picture

The Super Fine Pitch Trinitron picture tube (0.25 mm aperture grill) gives high resolution (composite: 550 lines, RGB: 650 lines) picture. When used as a character display, up to 2000 characters (80 characters/line × 25 lines) can be displayed with great clarity.

Analog/digital RGB input

Analog RGB and digital (TTL level) RGB input signals can be fed to the RGB input connectors (BNC type and 25-pin multi connectors), which allows a microcomputer or a data information system such as teletext, to be connected to this monitor.

Receives 4 TV broadcasting standards

This monitor can receive PAL, SECAM, NTSC and NTSC_{4.43} * signals. The appropriate broadcasting standard is selected automatically.

Colorpure Filter

When NTSC video signals are received, a colorpure filter activates to increase the resolution about 35%, resulting in fine picture detail without color spill or color noise.

Underscan mode

The signal normally scanned outside of the screen can be monitored in the underscan mode.

Automatic frequency control

The incoming sync timing error compensation speed can be set to fast or slow, according to the input signal. In the slow mode, the jitter from a video tape recorder can be easily monitored.

Superimposition of a picture from a microcomputer on a picture from video equipment

When a Sony SMC-70 or SMC-70G microcomputer, an SMI-7073 superimposer and video equipment such as a video disc player are used together with this monitor, a picture from the microcomputer can be superimposed on a picture from the video equipment.

* An NTSC_{4.43} system signal is obtained by playing back NTSC-recorded video tapes with a video tape recorder/player specially designed for use with this system.

By using an optional MB-502 mounting bracket, the PVM-1271Q/1371QM can be mounted in an EIA standard 19-inch rack. An optional SLR-102 slide rail is also available. For mounting details, see the appropriate instruction manual.

1-2. PRECAUTIONS

On safety

- Check that the operating voltage of your unit is identical with the voltage of your local power supply.
- Should any liquid or solid object fall into the cabinet, unplug the unit and have it checked by qualified personnel before operating it any further.
- Unplug the unit from the wall outlet if it is not to be used for several days.
- To disconnect the ac power cord, pull it out by the plug. Never pull the cord itself.

On installation

- Allow adequate air circulation to prevent internal heat build-up.
- Do not place the unit on surfaces (rugs, blankets, etc.) or near materials (curtains, draperies) that may block the ventilation holes.
- Do not install the unit in a location near heat sources such as radiators or air ducts, or in a place subject to direct sunlight, excessive dust, mechanical vibration or shock.

On cleaning

To keep the unit looking brand-new, periodically clean it with a soft cloth. Stubborn stains may be removed with a cloth lightly dampened with a mild detergent solution. Never use strong solvents such as thinner or benzene, or abrasive cleansers since these will damage the cabinet. As a safety precaution, unplug the unit before cleaning it.

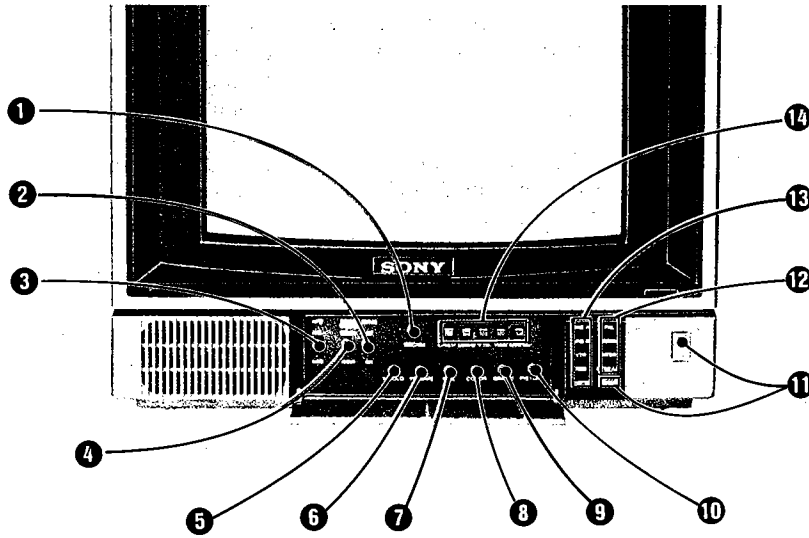
On repacking

Do not throw away the carton and packing materials. They make an ideal container in which to transport the unit. When shipping the unit to another location, repack it as illustrated on the carton.

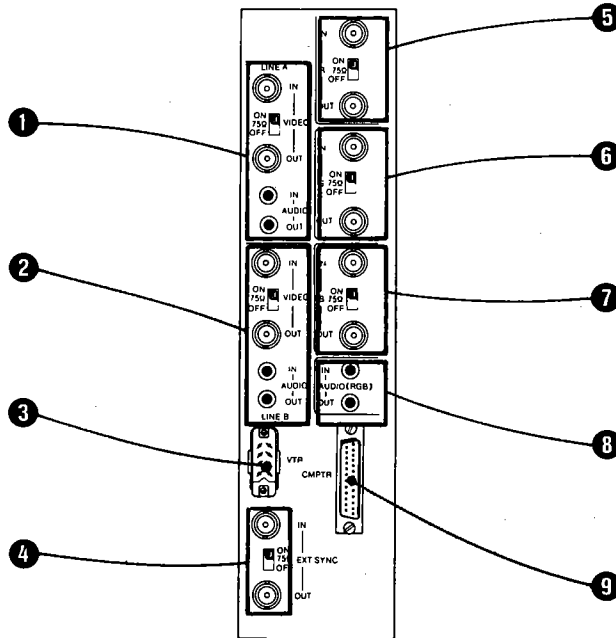
If you have any questions about this unit, contact your authorized Sony dealer.

1-3. LOCATION OF CONTROLS

Front panel



Rear panel



1-4. FUNCTION OF CONTROLS

FRONT PANEL

① SECAM button

Press this button when a picture from SECAM color sources is distorted. The picture will become clear.

② SYNC select switch

Sync may be supplied from an external sync generator to the EXT SYNC IN connector on the rear PANEL. When an external sync is supplied, with either a composite or non-composite video input, set the SYNC select switch to EXT. When composite video is supplied with no external sync, set the SYNC select switch to INT.

③ AFC (automatic frequency control) switch

Select the AFC operation in the fast mode or slow mode.

FAST: incoming sync timing errors are compensated for. Normally, set this switch to this position.

SLOW: incoming sync timing errors are displayed on the screen.

This mode is used to monitor the jitter from a VTR.

④ SCAN MODE select switch

Normal scanning or under scanning is achieved by proper setting of the SCAN MODE select switch. Set to NORMAL for normal scanning, or to UNDER for viewing a picture which does not appear in normal scanning. Under scanning reduces the display size by about 9%.

⑤ V HOLD (vertical hold) control

If the picture rolls vertically, correct it with this control.

⑥ VOLUME control

Turn this control clockwise or counterclockwise to obtain the desired volume.

⑦ HUE control

This control is effective only for playing tapes of the NTSC or NTSC_{4.43} system. Use to obtain the most natural skin tones. Clockwise rotation makes the skin tones more greenish; counterclockwise rotation makes them more purplish.

⑧ COLOR control

Adjusts the color intensity of the picture. Clockwise rotation makes the picture more vivid; counterclockwise rotation makes it paler.

⑨ BRIGHT (brightness) control

Adjusts the brightness. Normally set this control at the center detent position.

⑩ PICTURE control

Adjusts the contrast, color intensity and brightness simultaneously in the proper ratio.

⑪ POWER switch and indicator

To turn the monitor on, depress the POWER switch. The indicator will light. To turn the monitor off, press the switch again.

⑫ Color system indicators

Indicate the color system of the input video signal.

⑬ Input indicators

Illuminate to indicate the input select button pressed.

⑭ Input select buttons

Press to select the program to be monitored.

LINE A: for a signal from the LINE A connectors.

LINE B: for a signal from the LINE B connectors.

VTR: for a signal from the 8-pin VTR connector.

RGB: for a signal from the R, G and B connectors.

CMPTTR: for a signal from the 25-pin CMPTTR connector.

REAR PANEL**① LINE A ② LINE B**

Two groups (A and B) of line input connectors for the composite video and audio signals and their loop-through output connectors.

To monitor the input signals to these connectors, press the LINE A or LINE B input select button on the front panel.

VIDEO IN connector (BNC type)

Connect to the video output of a video equipment, such as a VTR or a color video camera. For a loop-through connection, connect to the video output of another monitor.

VIDEO OUT connector (BNC type)

Loop-through output of the VIDEO IN connector. Connect to the video input of a VTR or another monitor.

AUDIO IN jack (mini)

Connect to the audio output of a VTR or to a microphone via a suitable microphone amplifier. For a loop-through connection, connect to the audio output of another monitor.

AUDIO OUT jack (mini)

Loop-through output of the AUDIO IN jack. Connect to the video input of a VTR or another monitor.

75-ohm termination switch

When only the VIDEO IN connector is used (nothing is connected to the VIDEO OUT connector), set this switch to ON. When both the VIDEO IN and VIDEO OUT connectors are used together for loop-through connection, set this switch to OFF.

③ VTR connector (8-pin)

Line input for the video and audio signals. When connected with the 8-pin TV connector of a VTR, the video and audio playback signal from the VTR can be connected with a single cable.

To monitor the input signal to this connector, press the VTR input select button on the front panel.

● For connection, use an optional video cable VMC-3P (3 m, 9 feet), -5P (5 m, 15 feet) or -10P (10 m, 33 feet).

④ EXT SYNC (external sync) IN connector (BNC type)

When this monitor operates on an external sync signal, connect the reference signal from a sync generator here.

OUT connector (BNC type)

Loop-through output of the EXT SYNC IN connector. Connect to the external sync input of video equipment to be synchronized with this monitor.

75-ohm termination switch

When only the EXT SYNC IN connector is used (nothing is connected to the EXT SYNC OUT connector), set this switch to ON.

When both the EXT SYNC IN and EXT SYNC OUT connectors are used together for a loop-through connection, set this switch to OFF.

⑤ R ⑥ G ⑦ B ⑧ AUDIO (RGB)

Analog RGB and audio input connectors and their loop-through output connectors.

To monitor the input signal to these connectors, press the RGB input select button on the front panel.

R/G/B IN connectors (BNC type)

Connect a character generator, microcomputer or video camera having RGB outputs here.

R/G/B OUT connectors (BNC type)

Loop through output of the R/G/B IN connectors. Connect to the RGB inputs of another monitor here.

75-ohm termination switch

When only the R/G/B IN connector is used (nothing is connected to the R/G/B OUT connector), set this switch to ON. When both the R/G/B IN and R/G/B OUT connectors are used together for a loop-through connection, set this switch to OFF.

AUDIO (RGB) IN jack (mini)

Connect the audio output of the equipment connected to the R/G/B IN connectors here.

AUDIO (RGB) OUT jack (mini)

Loop-through output of the AUDIO (RGB) IN jack.

⑨ CMPTR (computer) connector (25-pin)

Connect with a microcomputer having a digital (TTL level) or analog RGB video output.

To monitor the input signal to this connector, press the CMPTR input select button on the front panel.

Color temperature selection

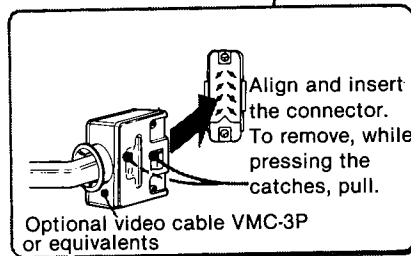
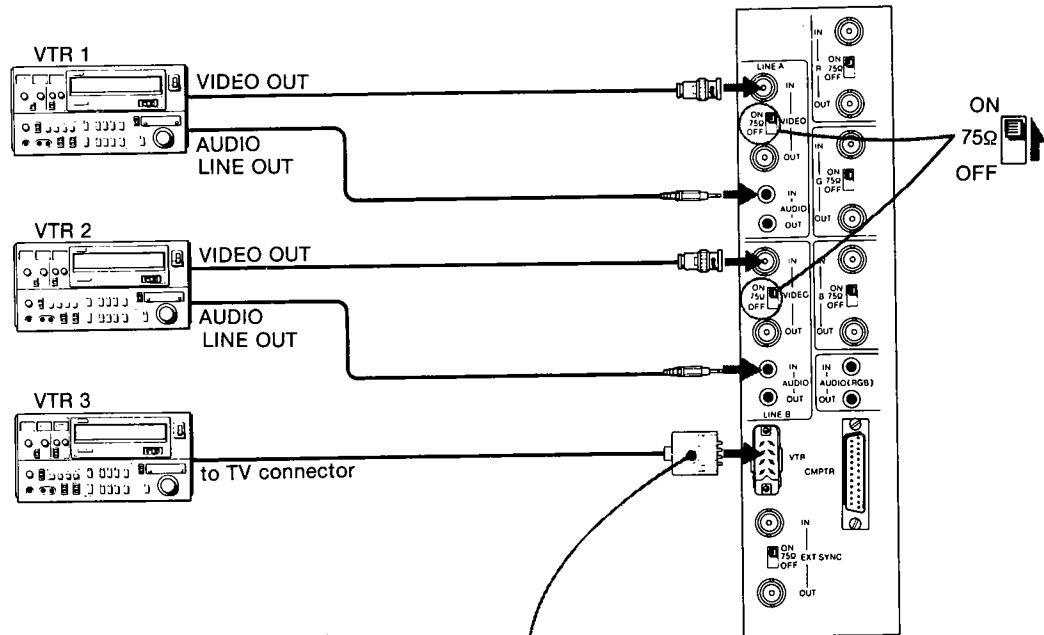
The color temperature of the PVM-1271Q has been preset at the factory to 9,300°K, and can be changed to 6,500°K.

The color temperature of the PVM-1371QM has been preset to 6,500°K, and can be changed to 9,300°K.

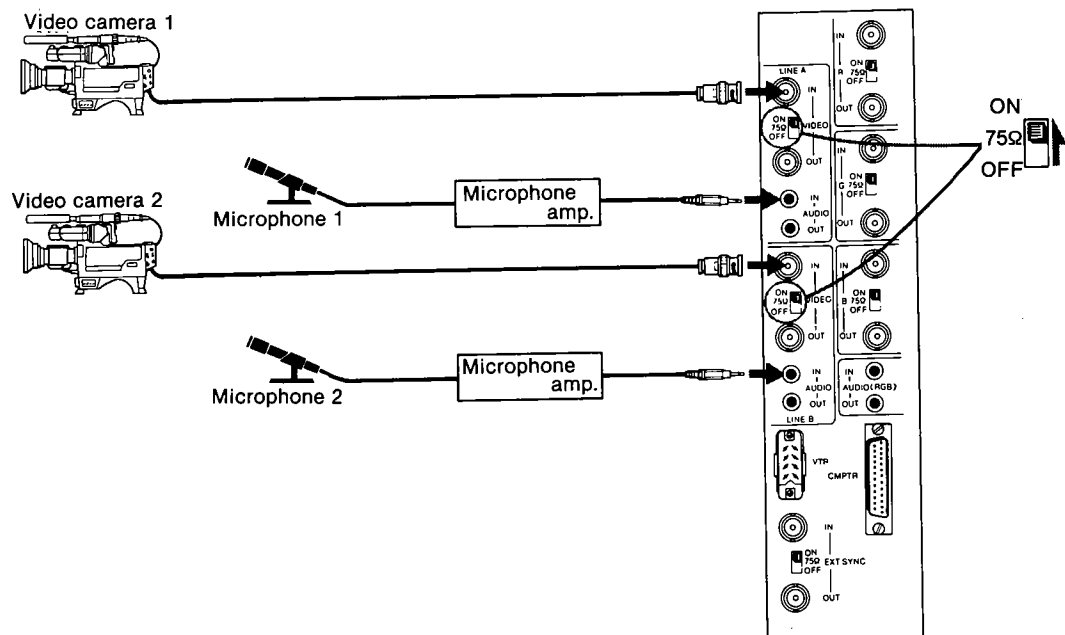
If the switching of the color temperature is required, consult your authorized Sony dealer.

1-5. SYSTEM CONNECTIONS

CONNECTING A VTR



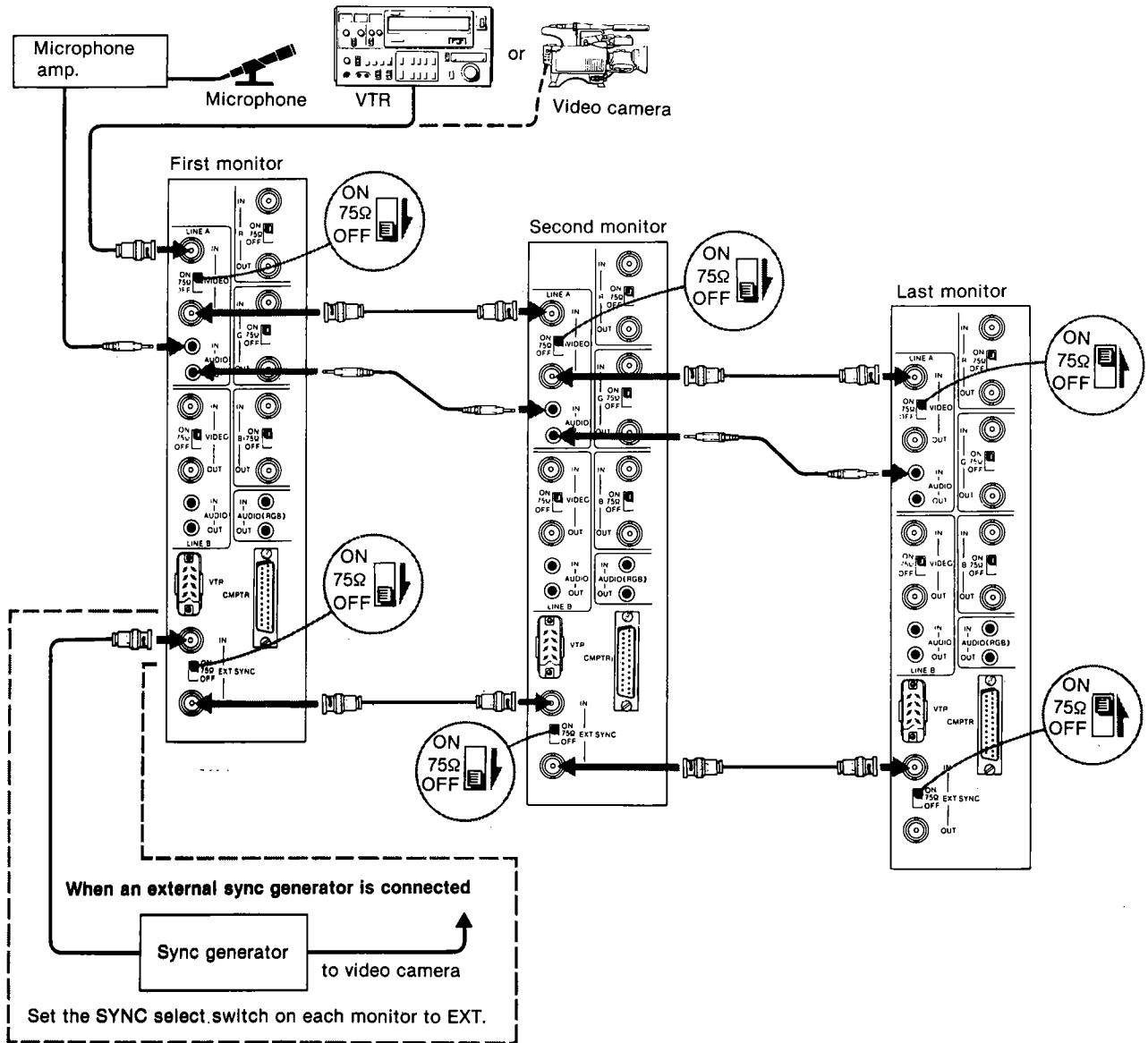
CONNECTING A CAMERA AND A MICROPHONE



CONNECTING SEVERAL MONITORS

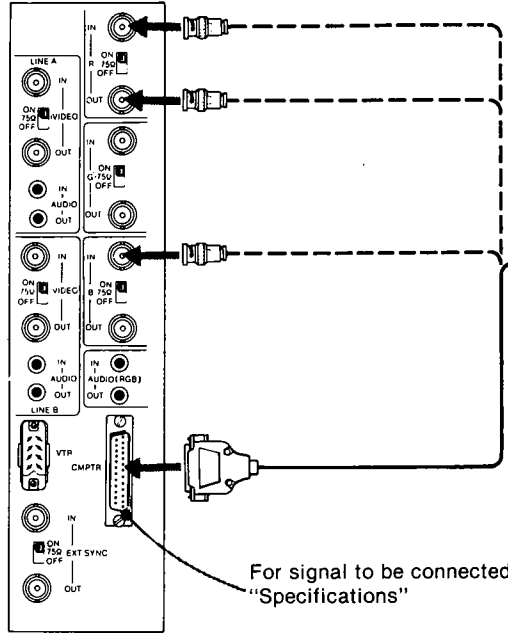
A loop-through connection is convenient for monitoring the same signal on other monitors. Use the video/audio input and output connectors of LINE A or LINE B to connect the monitors. Up to 10 monitors can be connected.

Set the 75-ohm termination switch of the last monitor to ON and that of the other monitors to OFF.

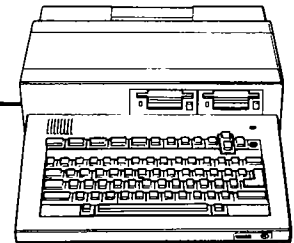


CONNECTING A MICROCOMPUTER OR A TERMINAL FOR DATA INFORMATION SYSTEM

When a microcomputer has only a composite video output connector, connect it to the LINE A or LINE B VIDEO IN connector.



Connecting cable SMK-0002



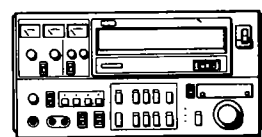
Microcomputer or data information system

For signal to be connected, see "Specifications"

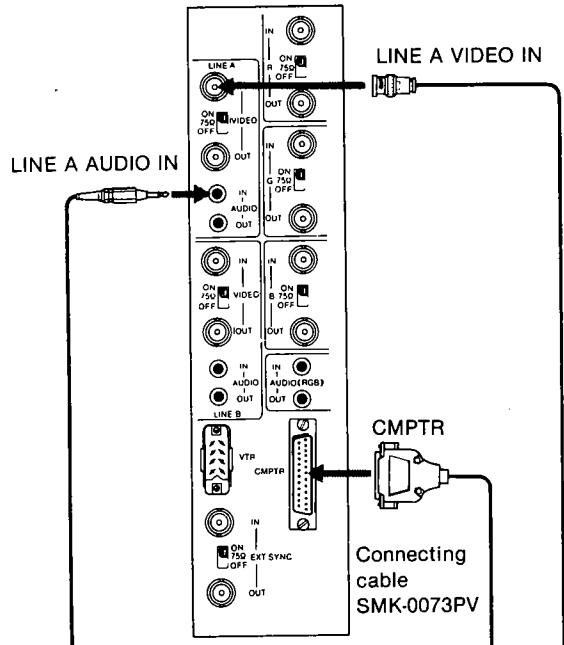
SUPERIMPOSING A PICTURE FROM A MICROCOMPUTER OVER A PICTURE FROM A VIDEO EQUIPMENT OR MIXING THESE TWO PICTURES

Using the Sony SMI-7073 superimposer, a picture from a microcomputer can be superimposed on this monitor's screen over a picture from video equipment. When the SMC-70 microcomputer is used, superimposition of pictures from a video disc player and from the SMC-70 is possible. When the SMC-70G microcomputer is used, superimposition of pictures from the SMC-70G and video equipment in addition to a video disc player, such as a video camera or a VTR, is possible.

VTR, video disc player, video camera, etc.

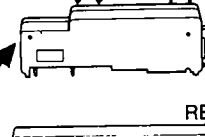


Video output



Connecting cable SMK-0073PV

RGB superimposer SMI-7073



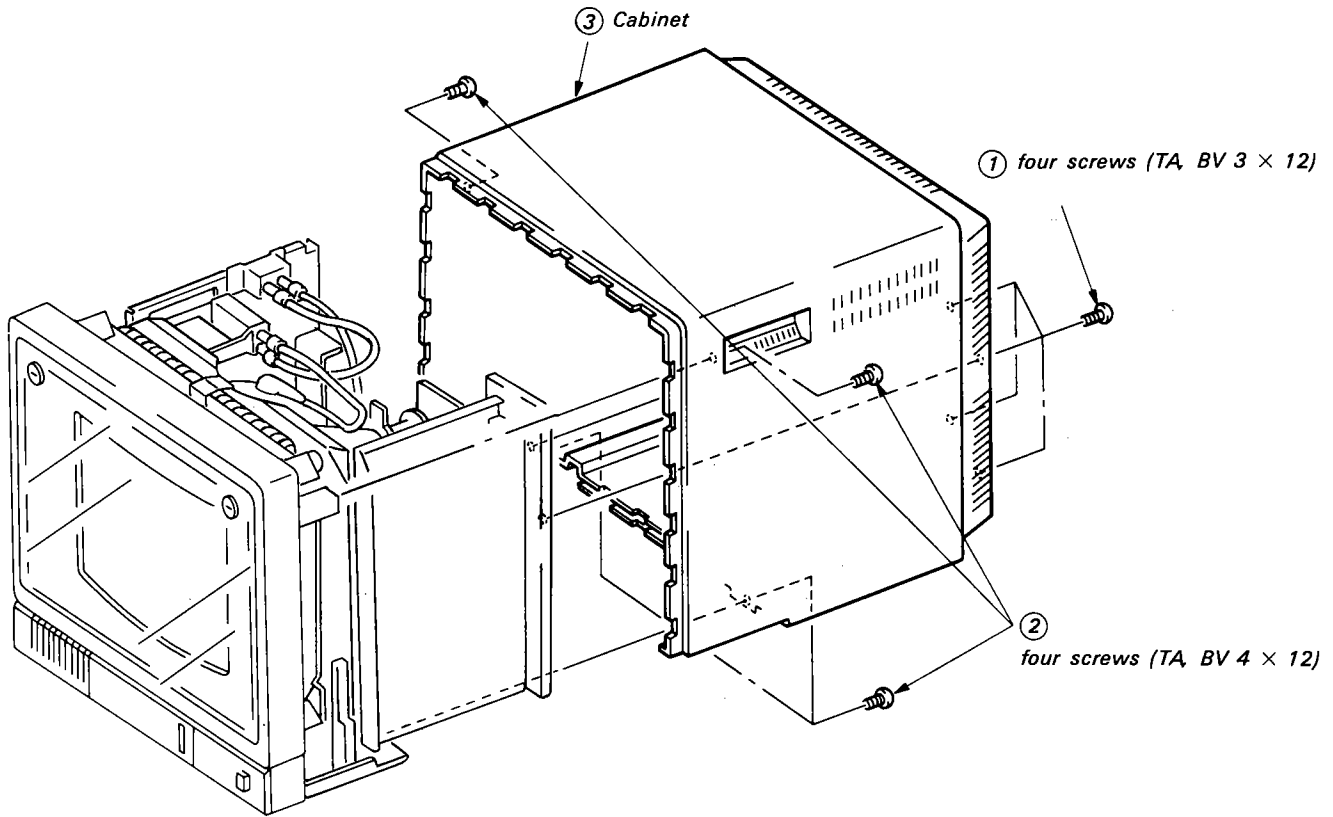
RGB MULTI OUT



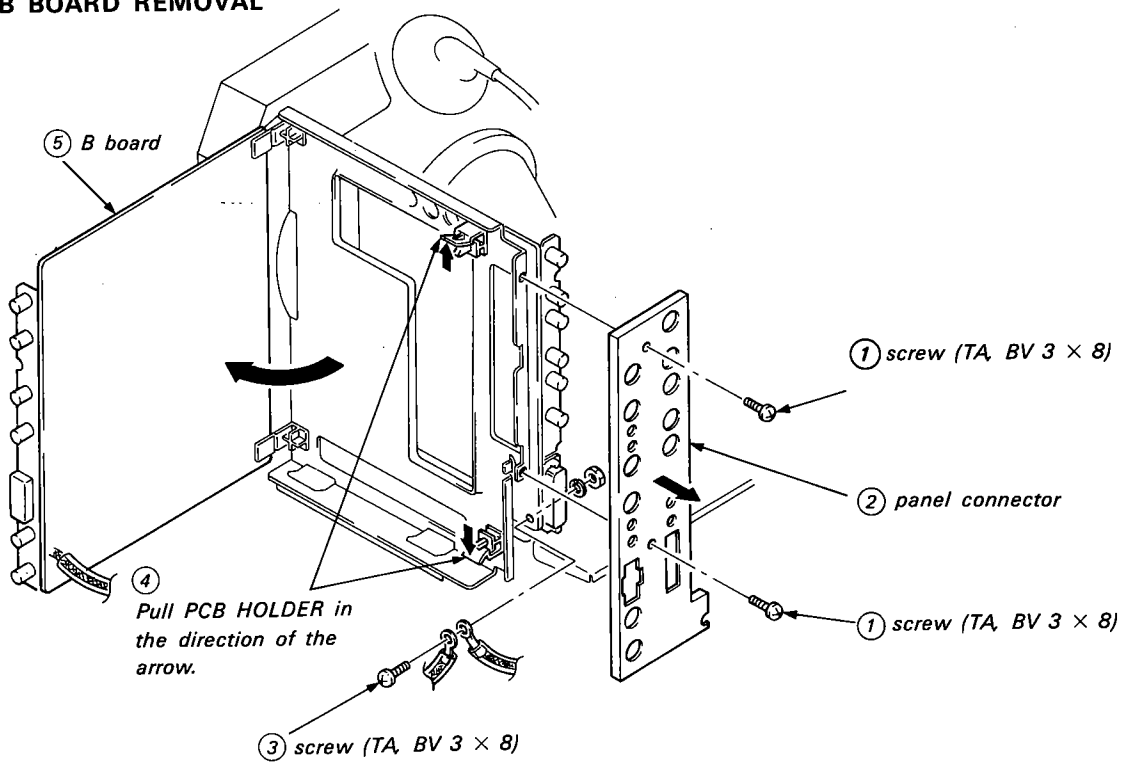
SMC-70G and floppy disk unit

SECTION 2 DISASSEMBLY

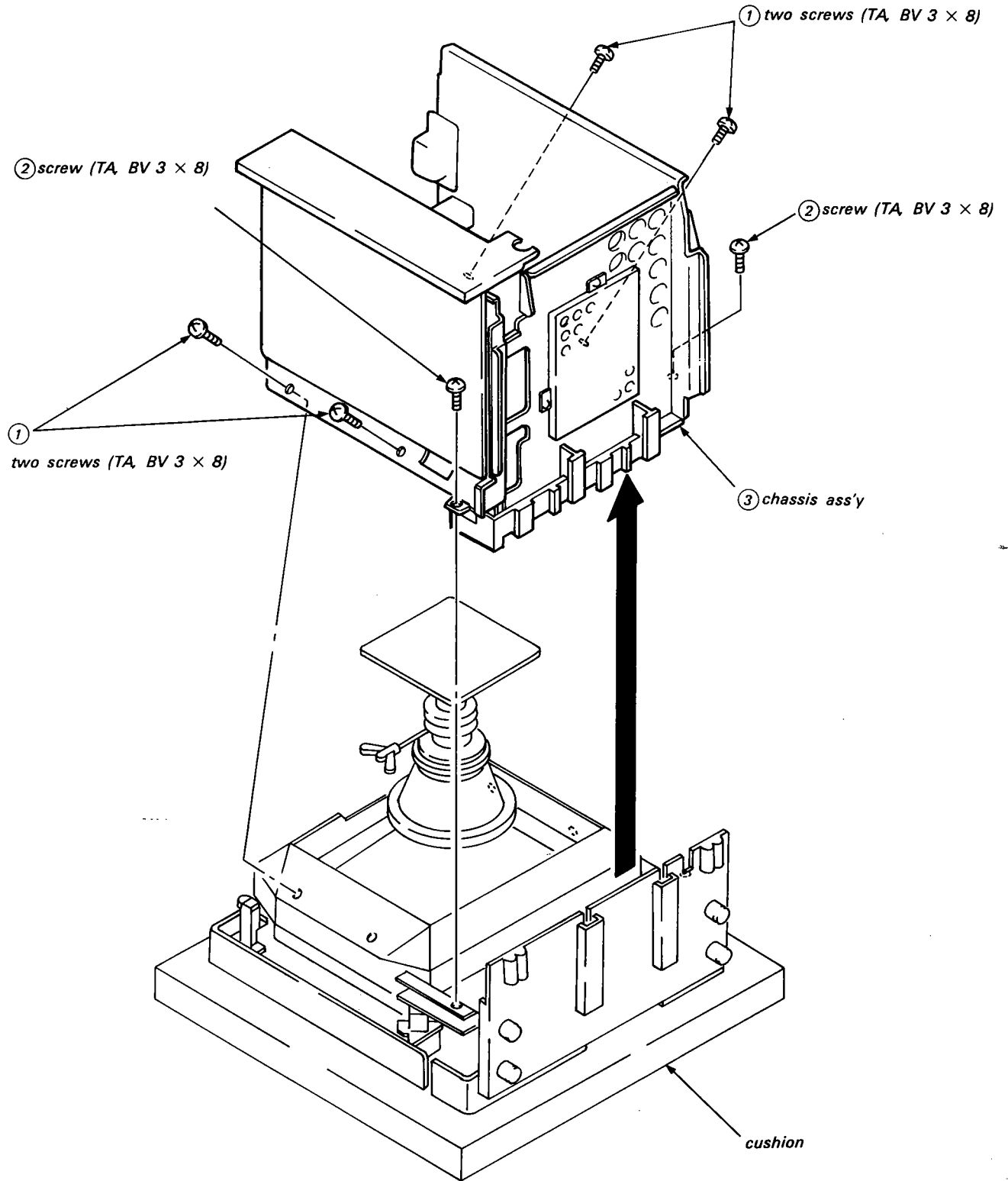
2-1. CABINET ASS'Y REMOVAL



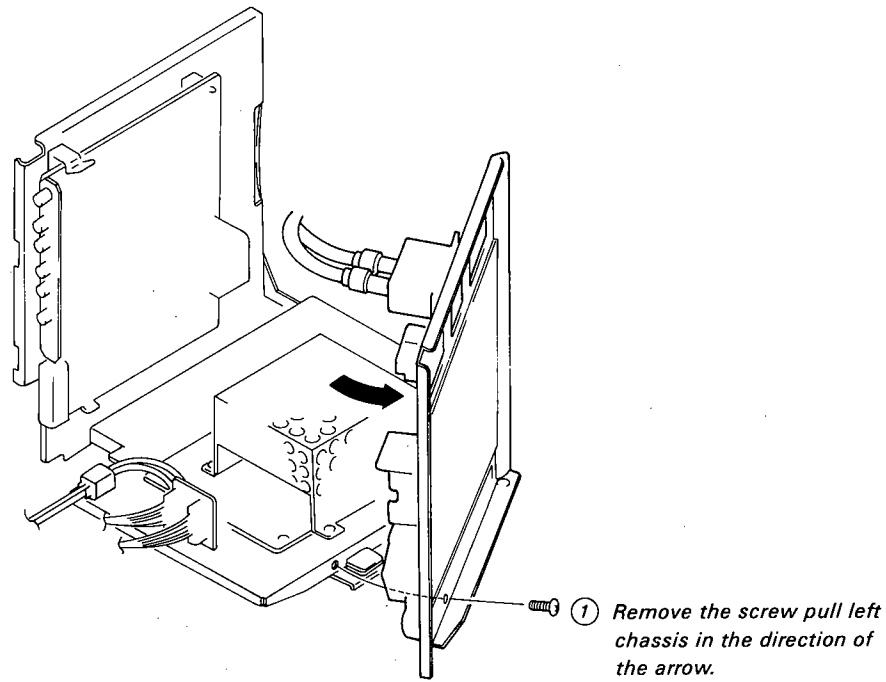
2-2. B BOARD REMOVAL



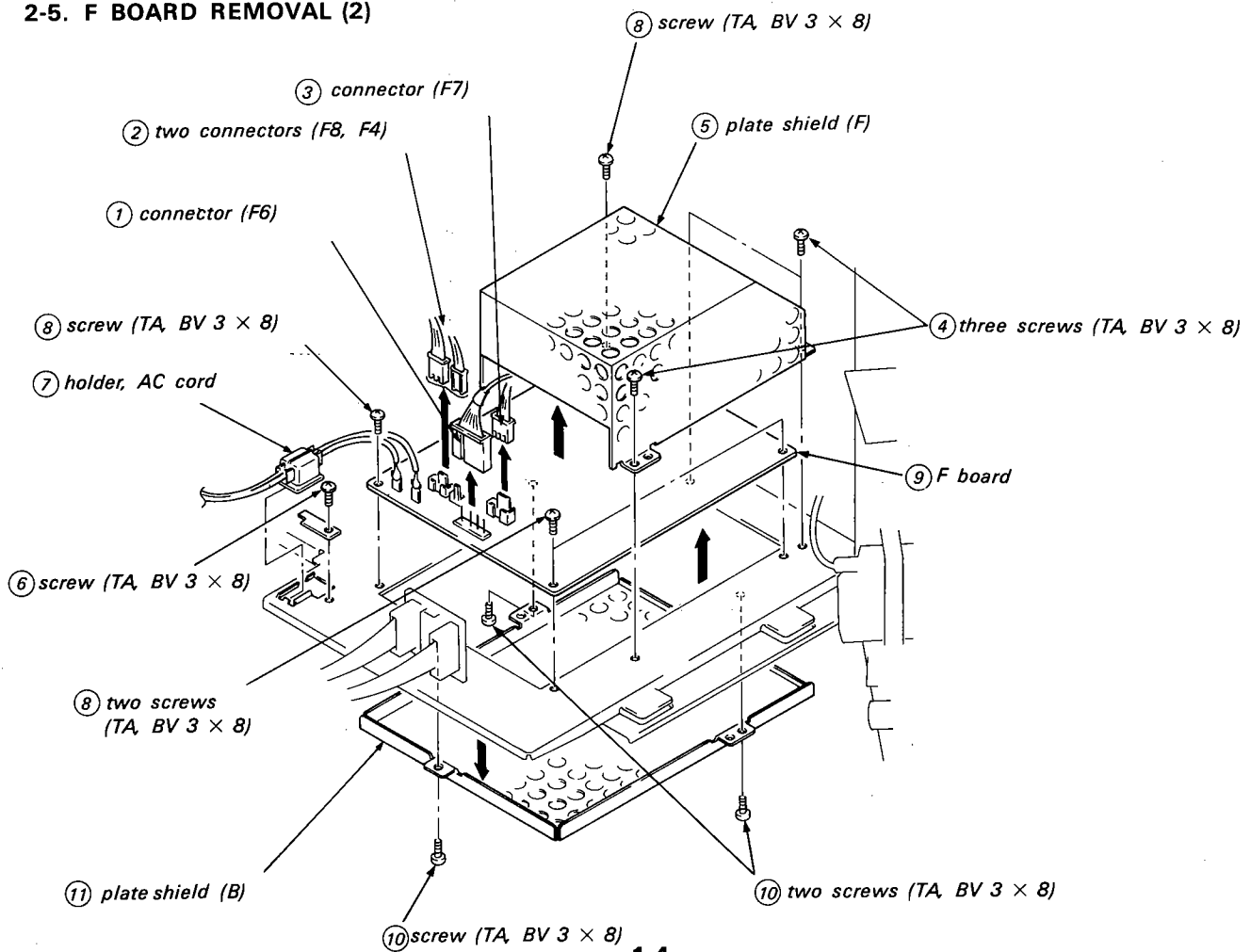
2-3. CHASSIS ASS'Y REMOVAL



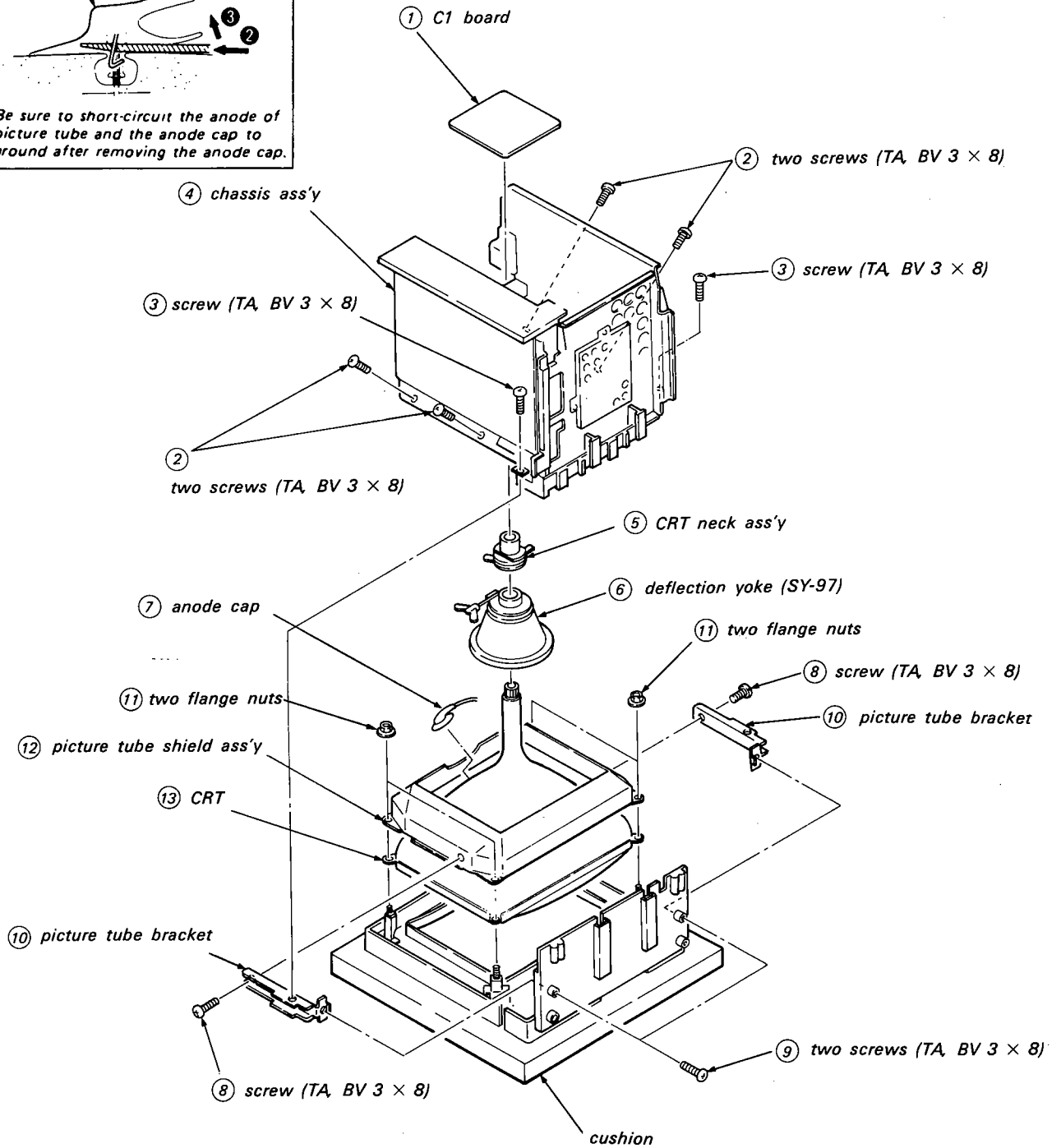
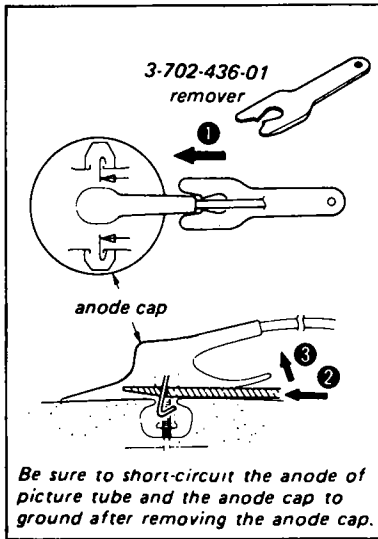
2-4. F BOARD REMOVAL (1)



2-5. F BOARD REMOVAL (2)



2-6. PICTURE TUBE REMOVAL



SECTION 3 ADJUSTMENTS

3-1. SETUP ADJUSTMENTS

3-1-1. BEAM LANDING

Landing Adjustment In the case of a 6,500°K color temperature, the number of VRs to be adjusted will differ.

- (1) Turn on set power supply and receive and all-white signal.
- (2) Evenly degauss the entire screen.
- (3) Loosen the deflection yoke mounting screw, and set the purity control to the center as shown in Fig. 3-1.
- (4) Set BKG volume RV706 (R) to maximum and set RV704 (G) and RV702 (B) to minimum.
- (5) Move the deflection yoke back, and adjust the purity control so that (R) is in the center and (G) and (B) are at the sides, evenly. (Fig. 3-2)
- (6) Move the deflection yoke forward so that the entire screen is R.
 - * If the deflection yoke is pushed all the way to the CRT then moved slightly back, landing adjustment is easier.
- (7) Substitute (R), then (B) for (G) in step (4) and check landing.
- (8) Rotate (R), (G) and (B) once each and check landing.
- (9) When landing is not right, adjust the purity control and use magnets as shown in Fig. 3-3, then repeat steps (7) and (8).
- (10) When a magnet is used, be sure to perform step (2), and tighten deflection yoke mounting screw loosely.

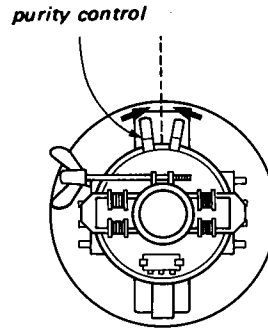


Fig. 3-1.

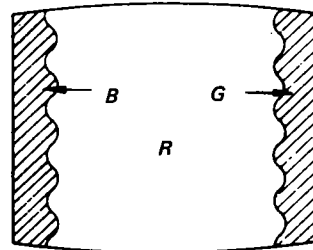


Fig. 3-2.

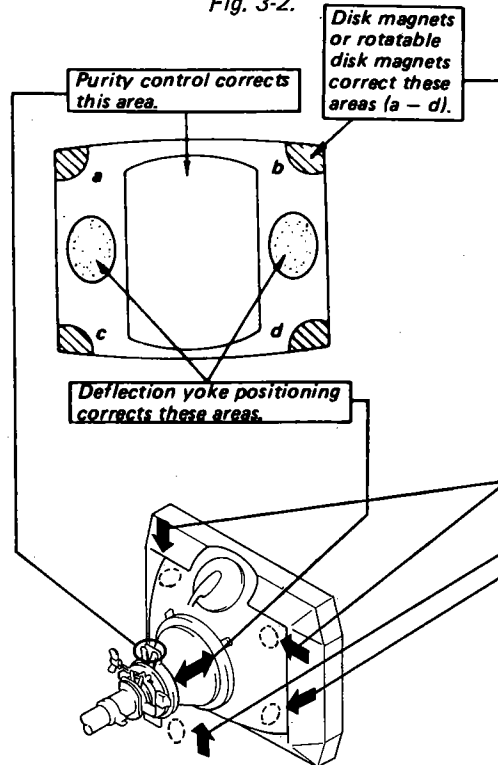
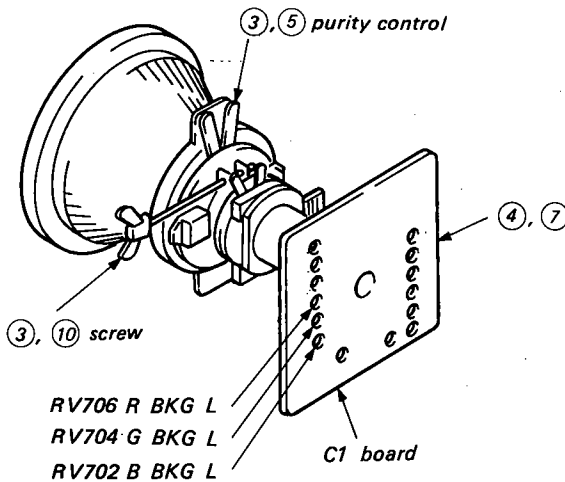


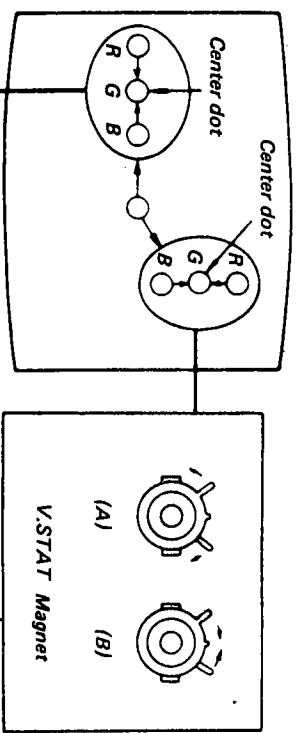
Fig. 3-3.



Note: The circled numbers (3-7) and (10) shown above steps.

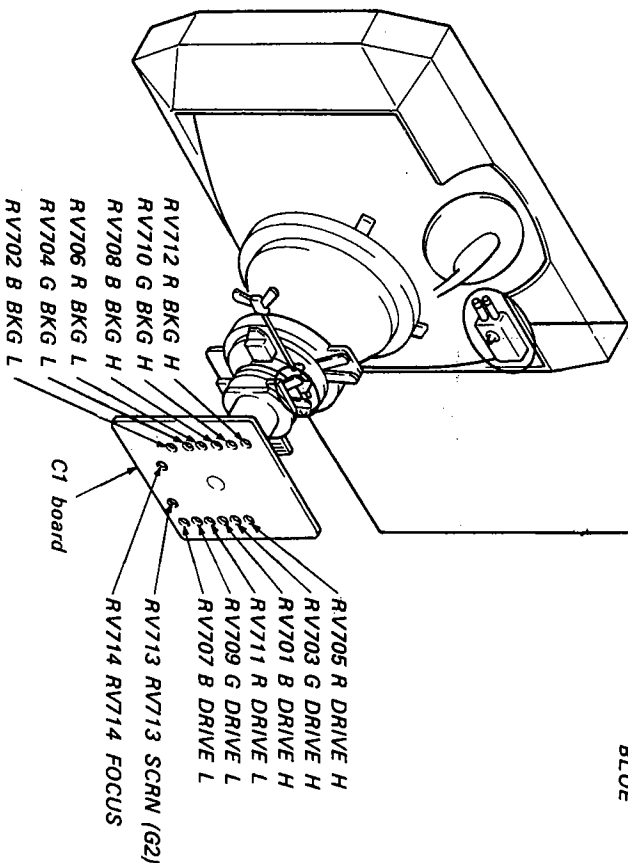
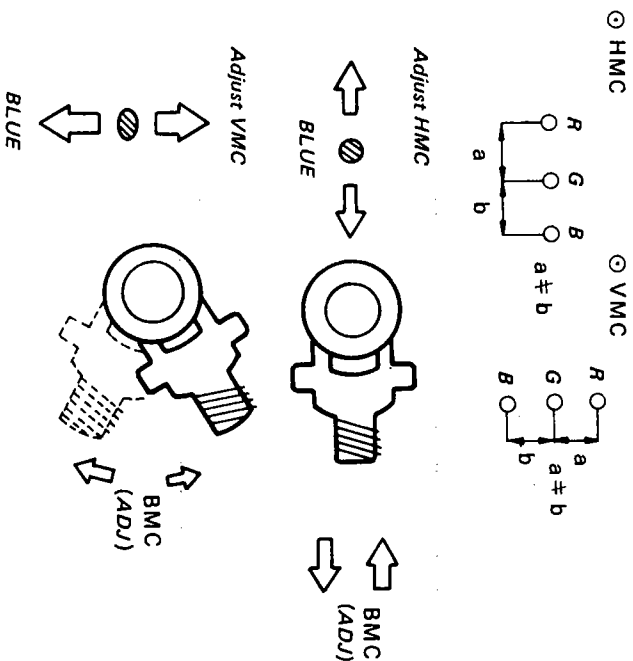
3-1-2. CONVERGENCE

- Preparation:**
- Before starting, perform FOCUS, H.SIZE, V.SIZE and V.LIN adjustments.
 - Set BRIGHTNESS control to fully counterclockwise.
 - Feed in the dot pattern.



(1) Horizontal and Vertical Static Convergence

If blue dot does not coincide with red and green dots, perform following steps.
 Move BMC magnet to correct insufficient H.static convergence.
 Rotate BMC magnet to correct insufficient V.static convergence.
 In either case, repeat Beam Landing Adjustment.



3-1-3. FOCUS (RV714)

- (1) Feed in monoscope signal, (PICTURE: 80%, BRIGHT: 50%)
- (2) Adjust RV714 for best Focus.

(2) Dynamic Convergence Adjustment

- Preparation:**
- Before starting, perform Horizontal and Vertical Static Convergence Adjustment.
1. Loosen deflection yoke screw.
 2. Remove deflection yoke spacers.
 3. Move the deflection yoke for best convergence as shown below.
 4. Tighten the deflection yoke screw.
 5. Install the deflection yoke spacers.

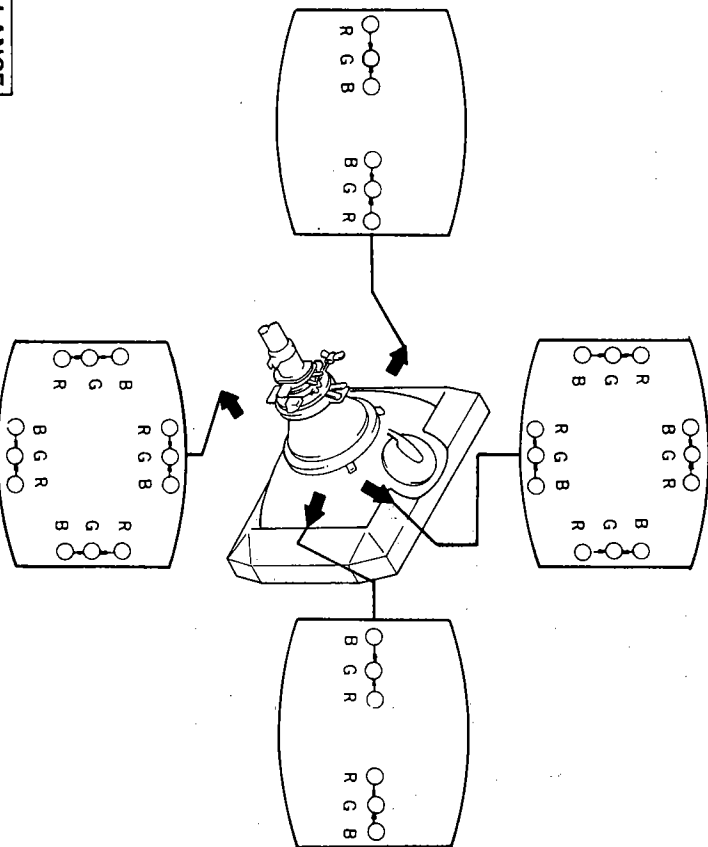
3-1-4. WHITE BALANCE

Preparations

- Adjustment of Screen (G2)**
- 1) Make the picture into minimum size by receiving monoscope signal, and set the brightness at 50%. The G1 voltage at the time should be $5 \pm 1V$.
 - 2) Adjust BKG VR(RV702, R704 and R706) so that R,G,B Cathode voltage becomes 110V DC Adjust with G2 VR (RV713) immediately prior to the disappearing of the luminiscent line.

[For 9300°K Color Temperature:]

- (1) Receive a totally white signal from the pattern generator.
Set BRIGHT at 50%, PICTURE at 0%, the various C1 board, and perform adjusting with RV107 (SUB CONT VR) so that the signal of the maximum size of picture will become 1.8V.



- (3) BKG VR (RV708, 710, and 712) at 20%, and the various DRIVE VR (RV701, 703, and 705) at 60%.
- (4) Turn all the other BKG VR than the one for the color that started glowing first, and adjust the white balance at cut-off.
- (5) Adjust the high light side white balance with drive VR.
- (6) By turning other drive VR than the one for the color glowing the brightest of all, adjust the white balance. Repeat operating steps (3) and (4).

[For 6500°K Color Temperature:]

- (1) By turning bKG VR (RV702, 704, and 706) and drive VR (RV707, 709, and 711), make the same adjustment as in the 9,300°K color temperature mode.

- ADJUSTMENT**
- Preparation**
- 1) Connect (Chron)
 - 2) Set the to "R.C"
 - 3) PICTU BRIGH center Confir at 1.8 V
 - 4) Set the PICTU with R second

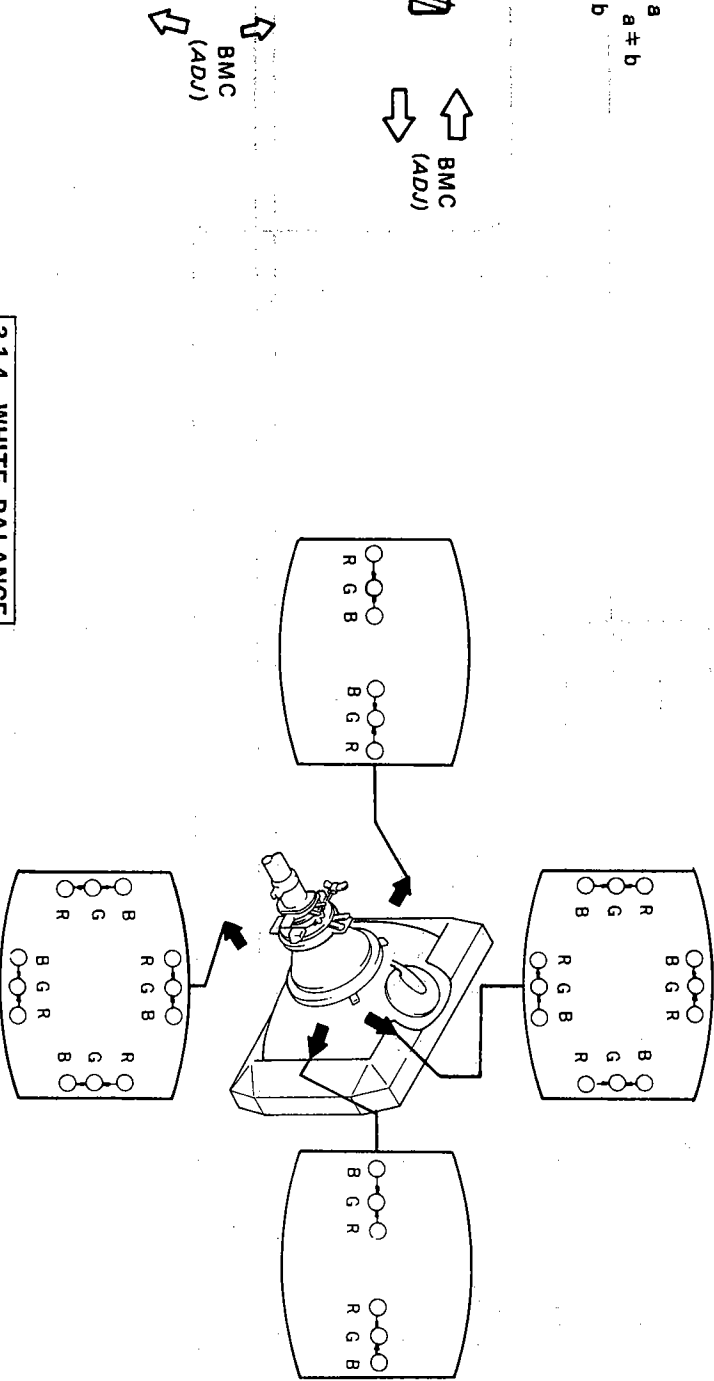
- Adjustment**
- 1) Set the 6500°K PICTU BRIGH
 - 2) Adjust RV404
 - 3) Adjust RV404
 - 4) Raise t there it
 - 5) Confir 9300°K

(2) Dynamic Convergence Adjustment

Preparation:

- Before starting, perform Horizontal and Vertical Static Convergence Adjustment.

1. Loosen deflection yoke screw.
2. Remove deflection yoke spacers.
3. Move the deflection yoke for best convergence as shown below.
4. Tighten the deflection yoke screw.
5. Install the deflection yoke spacers.

**3-1-4. WHITE BALANCE**

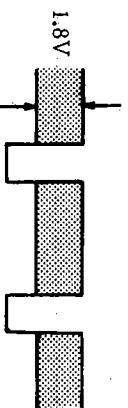
Preparations

Adjustment of Screen (G2)

- 1) Make the picture into minimum size by receiving monoscope signal, and set the brightness at 50%. The GI voltage at the time should be $5 \pm 1V$.
- 2) Adjust BKG VR(RV702, R704 and R706) so that R.G.B. Cathode voltage becomes 110V DC. Adjust with G2 VR (RV713) immediately prior to the disappearing of the luminiscent line.

[For 9300°K Color Temperature:]

- (1) Receive a totally white signal from the pattern generator.
Set BRIGHT at 50%, PICTURE at 0%, the various
- 2) Attach an oscilloscope to the input point B (blue) of C1 board, and perform adjusting with RV107 (SUB CONT VR) so that the signal of the maximum size of picture will become 1.8V.



- (3) BKG VR (RV708, 710, and 712) at 20%, and the various DRIVE VR (RV701, 703, and 705) at 60%.
- (4) Turn all the other BKG VR than the one for the color that started glowing first, and adjust the white balance at cut-off.
- (5) Adjust the high light side white balance with drive VR.
- (6) By turning other drive VR than the one for the color glowing the brightest of all, adjust the white balance. Repeat operating steps (3) and (4).

[For 6500°K Color Temperature:]

- (1) By turning bkg VR (RV702, 704, and 706) and drive VR (RV707, 709, and 711), make the same adjustment as in the 9,300°K color temperature mode.

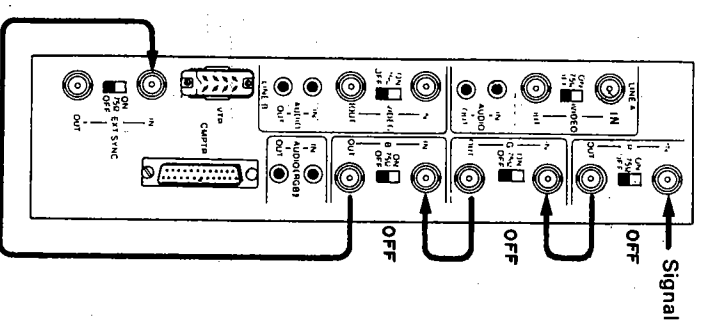
ADJUSTMENT OF RGB WHITE BALANCE

Preparations:

- 1) Connect the connector as shown in diagram. (Chroma off of color bar signal)
- 2) Set the mode switching button on the control panel to "R.G.B." mode.
- 3) PICTURE VR (RV684)... Maximum BRIGHTNESS VR (RV681)... 50% at mechanical center
Confirm that pin ③ (green) of connector Q-4 is set at 1.8 Vp-p.
- 4) Set the BRIGHTNESS VR (RV681) at 50% and PICTURE VR (RV684) at minimum size, and adjust with RV402 (BRT) so that the screen stripe to the second point counting from the right lights faintly.

Adjustment:

- 1) Set the chromatic temperature selection switch at 6500°K.
- 2) PICTURE VR (RV684)... Minimum BRIGHTNESS VR (RV681)... 50%.
- 3) Adjust the respective RGBs with BRT VR (RV403, RV404 and R405)
- 4) Raise the PICTURE VR (RV684) and confirm that there is no change in the chromatic temperature
- 5) Confirm by setting chromatic selection switch at 9300°K



3.2. SAFETY RELATED ADJUSTMENTS

HOLD DOWN 1 Adjustment (R829 Adjustment)

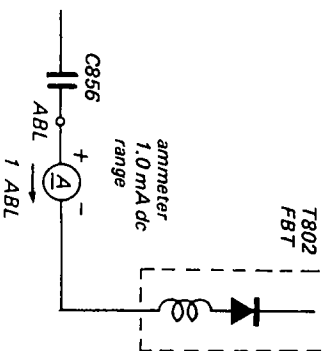
Be sure to perform this after replacing the parts below (marked \blacksquare on the schematic).

- \blacksquare R825, R826, R827, R828, R829, R830, R831, R832, R834, R842, R862, R863, R864, R865, R866, D803, D804, IC501, IC803, R833.

Note: The (1) pin of IC803 is the hold down check point (A).

Disengage ABL terminal of FBT from the foil and connect the ammeter as shown to measure the ABL terminal current.

1. Feed in color-bar signal.
2. Set the BRIGHT, PICTURE & COLOR control to minimum. (ABL $\approx 70 \mu\text{A}$)
3. Confirm that the HOLD DOWN CIRCUIT operates and the raster disappears when 15.50 ± 0.10 V DC is applied to hold down check point (A) from an external DC power supply.
4. Confirm that the applied voltage immediately set and cut the applied voltage immediately.
5. Confirm that the HOLD DOWN CIRCUIT does not operate when 14.80 ± 0.10 V DC is applied to hold down check point (A) from an external DC power supply. Note: If the HOLD DOWN CIRCUIT operates, immediately cut input and applied voltage.
6. Feed in an MONOSCOPE signal and adjust ABL current to $570 \pm 50 \mu\text{A}$ with PICTURE, BRIGHT, etc. VRs.
7. Confirm that the HOLD DOWN CIRCUIT operates and the raster disappears when 14.50 ± 0.10 V DC is applied to hold down check point (A) from an external DC power supply. Note: If the HOLD DOWN CIRCUIT operates, immediately cut input and applied voltage.
8. Adjust R829 so that steps 3, 4, 6 and 7 are satisfied.
9. Set the ABL terminal back to its original position.
10. Confirm that the voltage on pin (1) of IC803 is 10.6 ± 14.3 V DC at the normal condition.



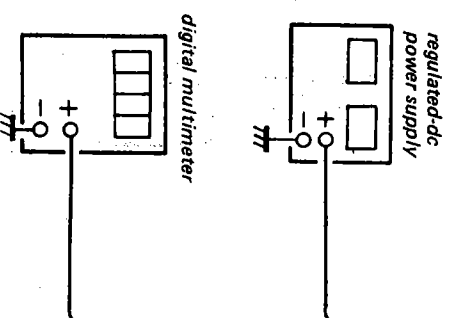
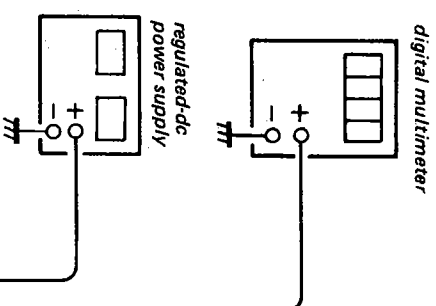
Disengage the ABL terminal of FBT from the foil by un-soldering and connect negative probe to the ABL PIN of FBT.

HOLD DOWN 2 Adjustment (R891 Adjustment)

Be sure to perform this adjustment when replacing the following parts (marked \blacksquare on the schematic):

- \blacksquare R832, R842, R888, R889, R891, R892, R893, R894, D803, D804, D815, Q817, Q818, R833.

1. Input a color bar signal.
 2. PIC VR MIN
 3. BRT VR MIN
 4. Apply DC 119 V to the +B line from an external DC power supply and confirm that HOLD DOWN CIRCUIT operates.
- Note: The HOLD DOWN CIRCUIT may operate first, so mount about $3.3 \text{ k}\Omega$ parallel to D board R829 to reduce HOLD DOWN CIRCUIT sensitivity before performing +B protector operation check.

**+B MAX Check (R640 Adjustment)**

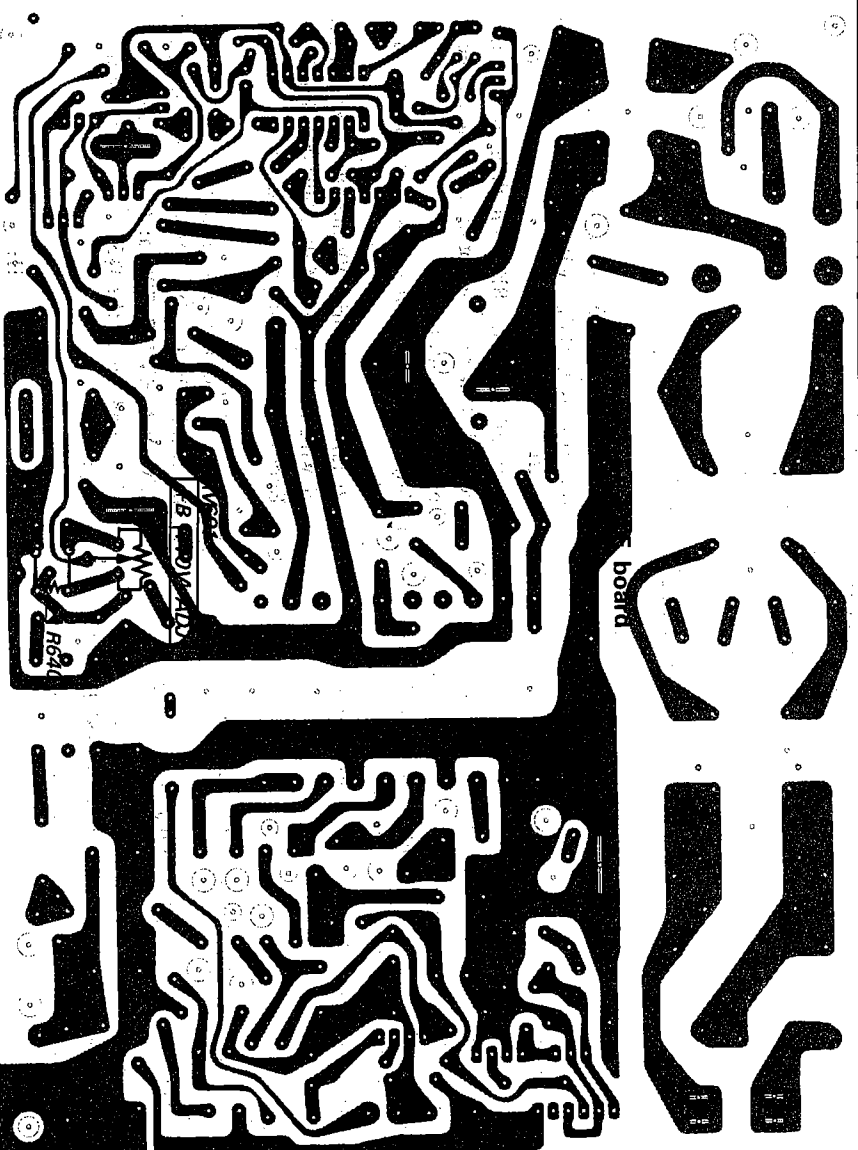
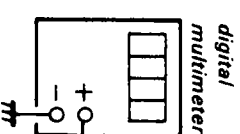
Be sure to perform this adjustment when replacing the following parts (marked \blacksquare on the schematic):

- \blacksquare R614, R615, R616, R622, R624, R632, R640, RV601, T603, T604, D608, D611, IC601.

1. Input a dot signal.
2. Input a AC 130 ± 2 V.
3. Put set in cut-off state.
4. Turn F board +B ADJ VR (RV601) fully so that +B value is maximum.
5. Confirm that +B value is less than 115.0 V.

+B VOLTAGE Adjustment

- (1) Feed in a monoscope signal. Set PICTURE control at 80% and BRIGHT control at 50%.
- (2) Supply 100 V AC with variable auto-transformer.
- (3) Adjust RV601 on F board so that +B voltage in 109.0 ± 0.5 V.



+B MAX Check (R640 Adjustment)

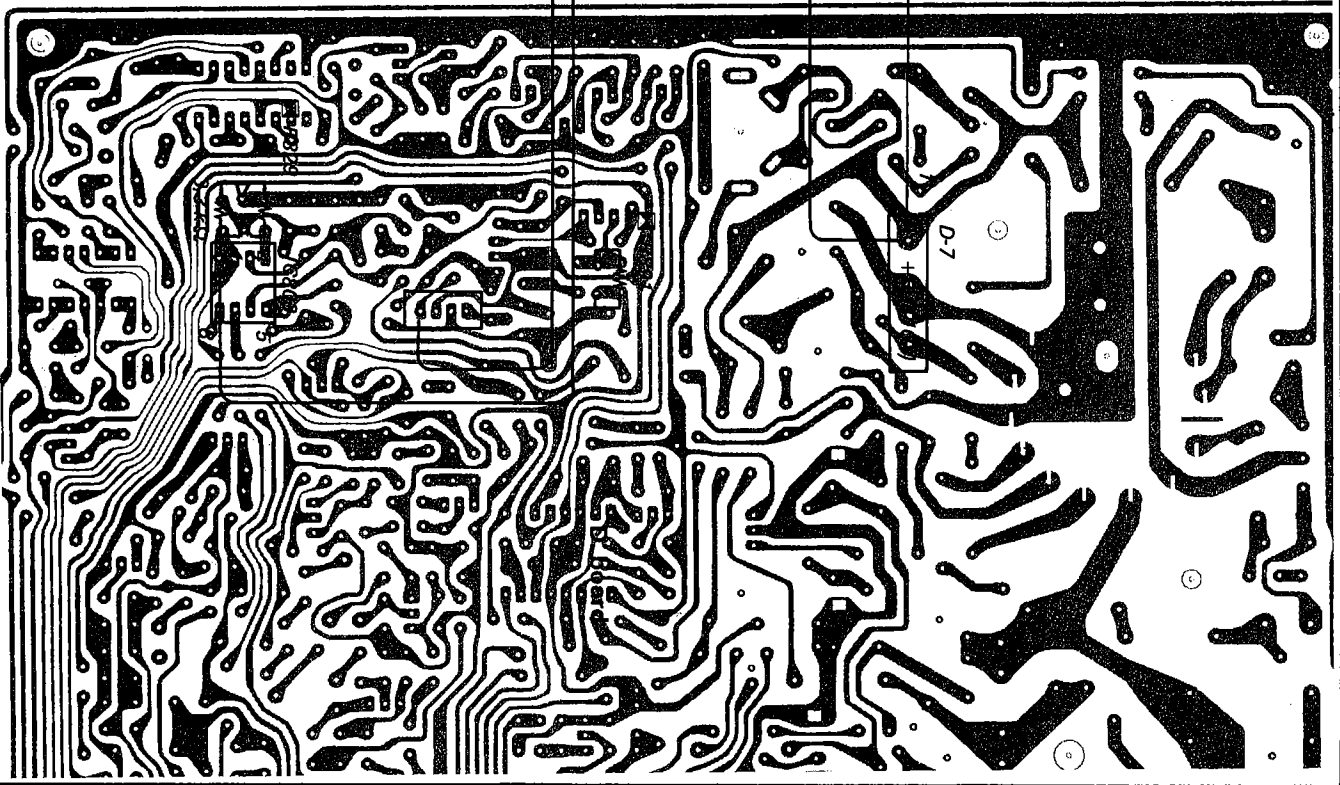
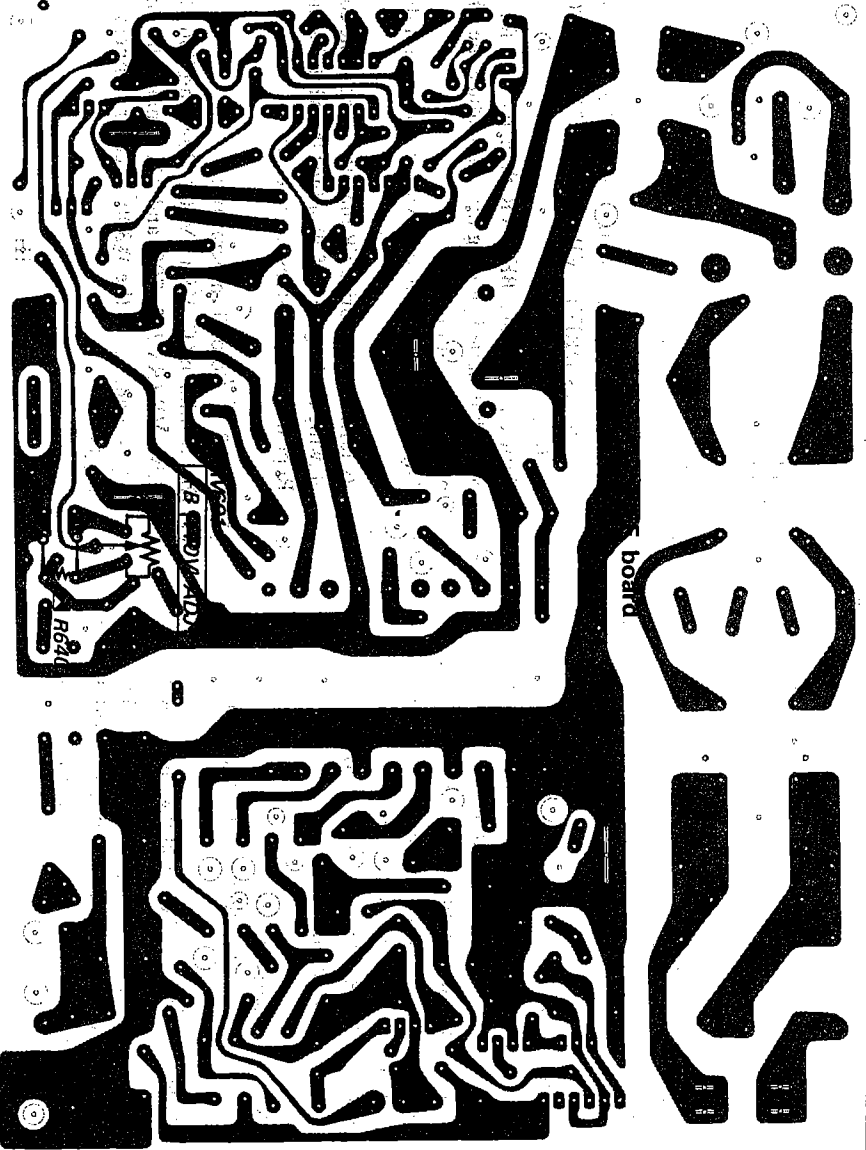
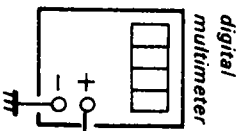
Be sure to perform this adjustment when replacing the following parts (marked on the schematic):

R614, R615, R616, R622, R624, R632, R640, RV601, T603, T604, D608, D611, IC601.

1. Input a dot signal.
2. Input a AC 130 \pm 2 V.
3. Put set in cut-off state.
4. Turn F board +B ADJ VR (RV601) fully so that +B value is maximum.
5. Confirm that +B value is less than 115.0 V.

+B VOLTAGE Adjustment

- (1) Feed in a monoscope signal.
Set PICTURE control at 80% and BRIGHT control at 50%.
- (2) Supply 100 V AC with variable auto-transformer.
- (3) Adjust RV601 on F board so that +B voltage in 109.0 \pm 0.5 V.



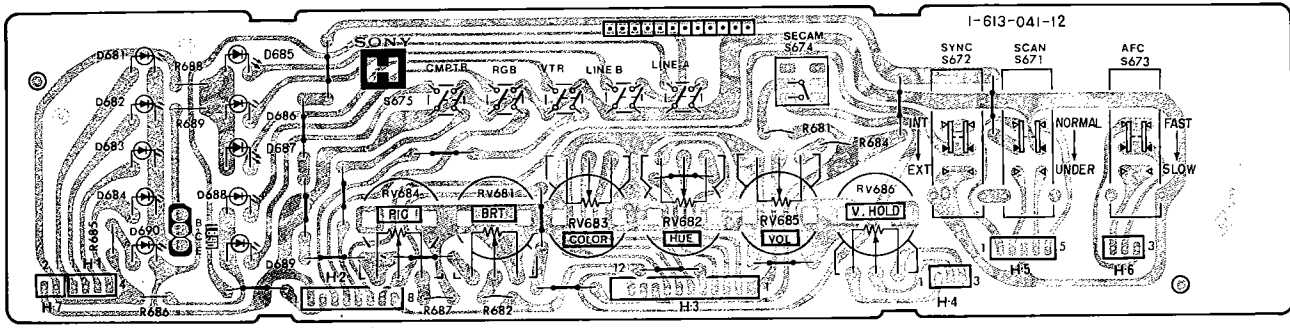
CUSTOMER CONTROL,
INPUT SIGNAL INDICATOR

H

1 2 3 4 5 6 7

- H Board -

A
B
C
D
E
F
G
H
I



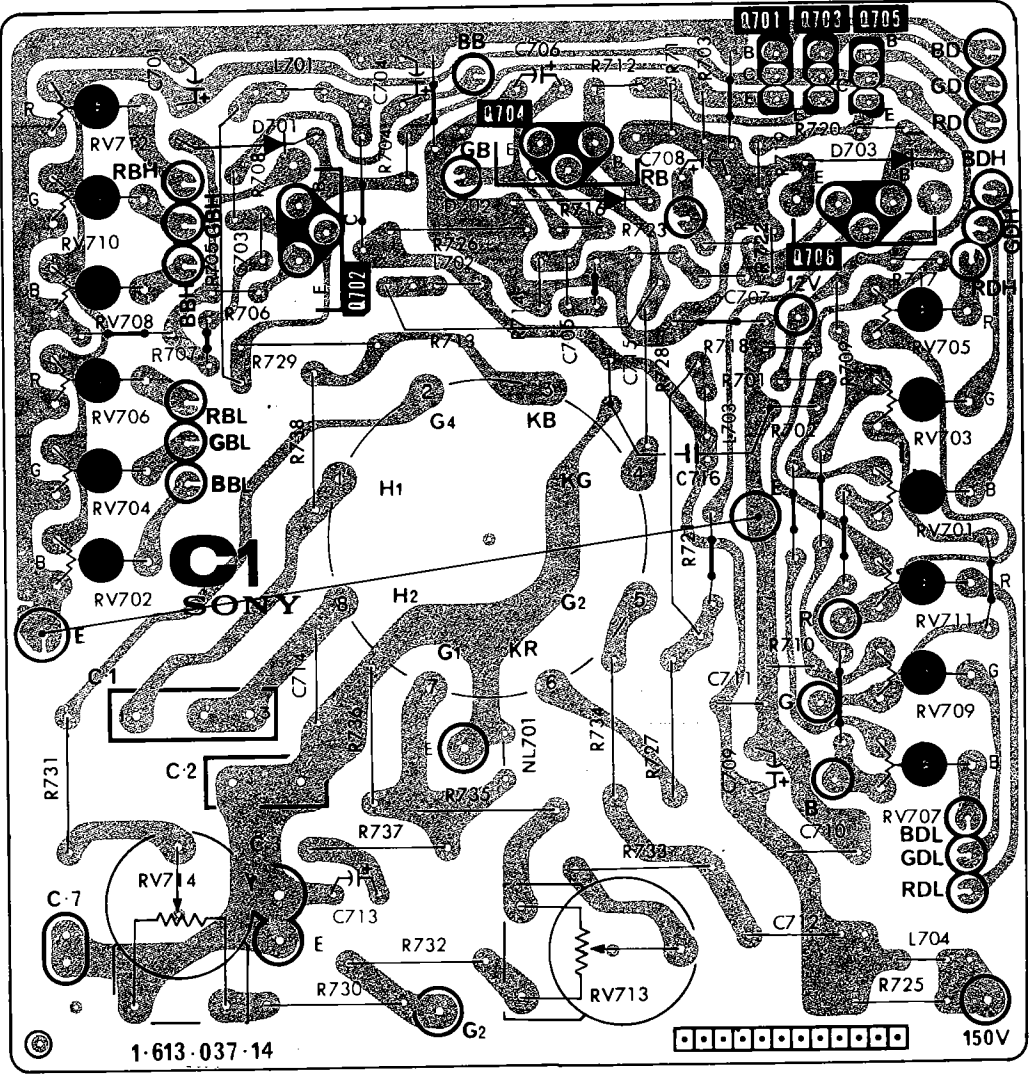
C1

[R.G.B. OUT, R.G.G. DRIVE,
R.G.B. BKG]

1 2 3 4 5 6 7

- C1 Board -

A
B
C
D
E
F
G
H
I



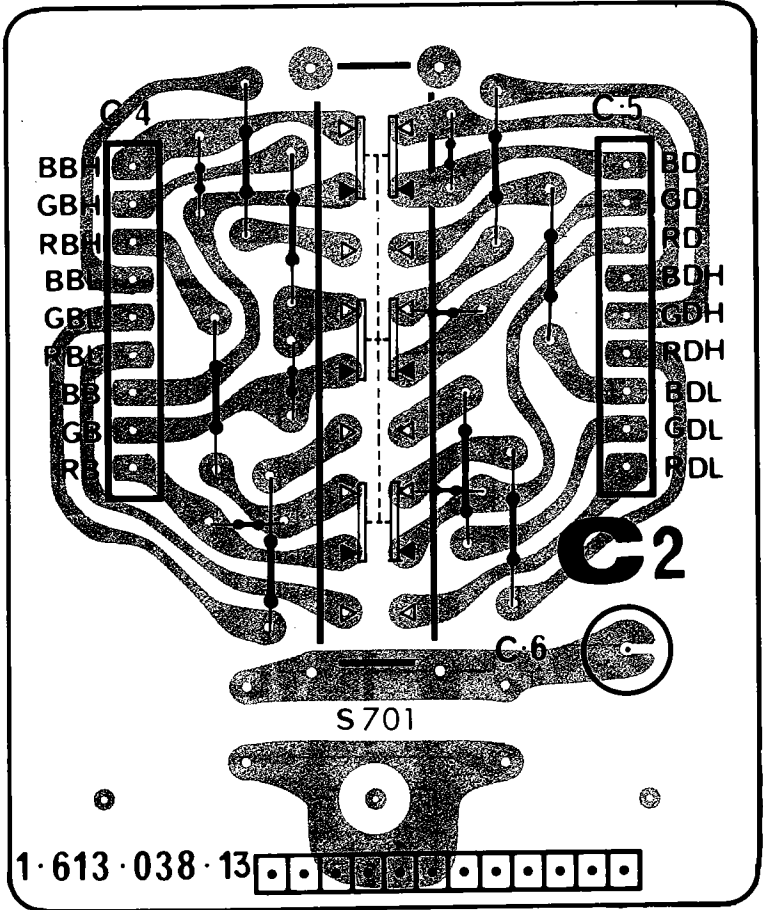
C2

[COLOR TEMPERATURE SELECT]

1 2 3 4 5 6 7

- C2 Board -

A
B
C
D
E
F
G
H
I



F

[POWER SUPPLY]

F2

[KICK]

1

2

3

4

5

6

7

- F Board -

A

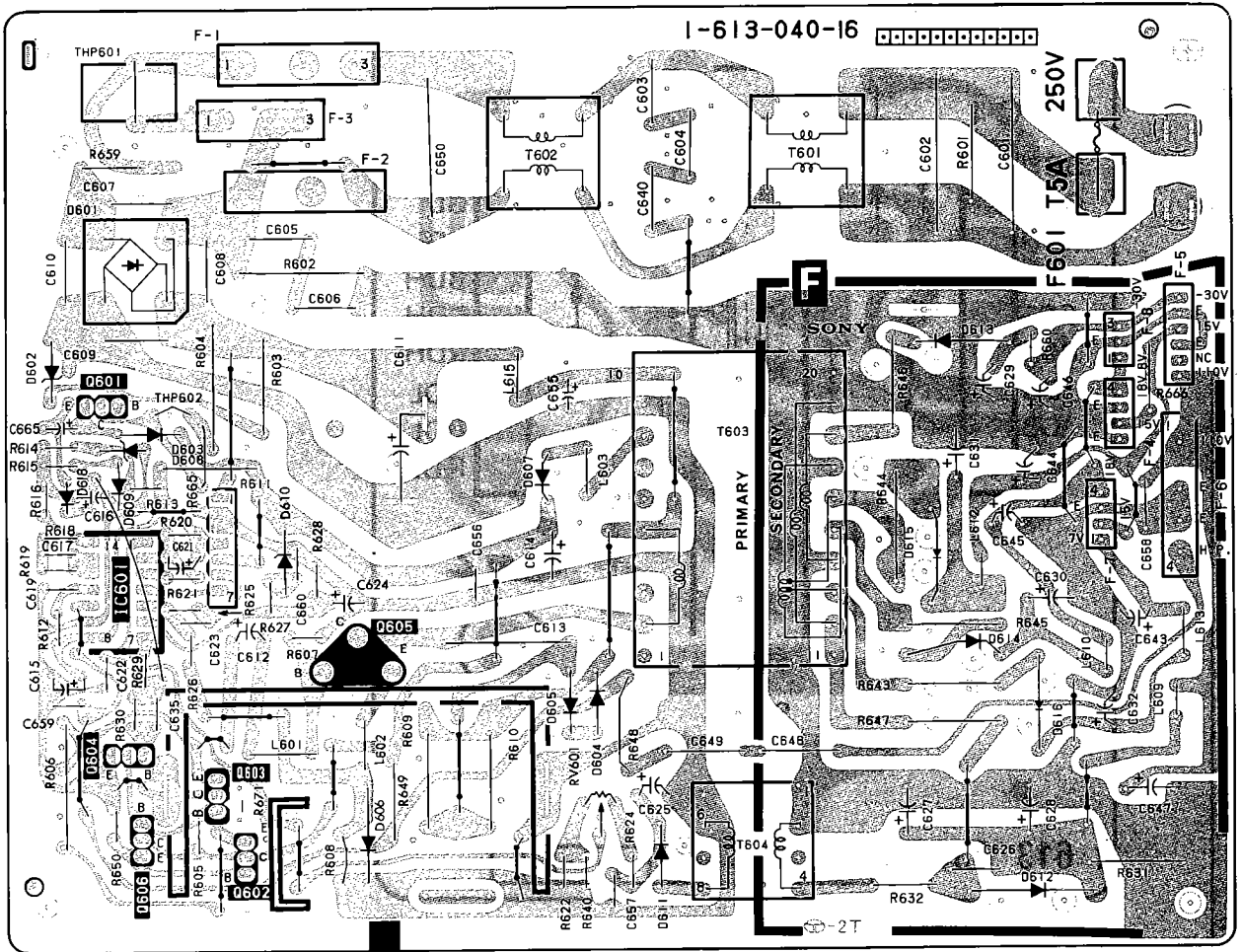
B

C

D

E

F

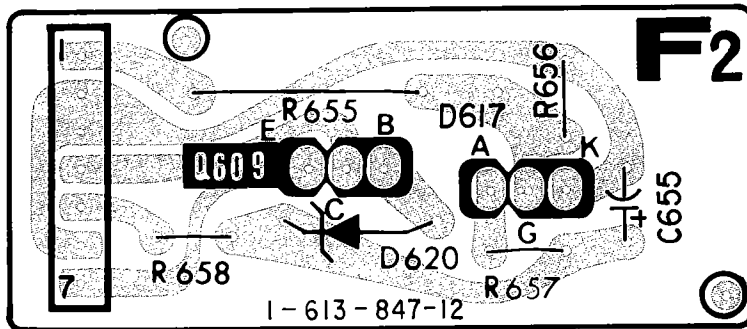


- F2 Board -

G

H

I



SECTION 5 EXPLODED VIEWS

NOTE:

- Items with no part number and no description are not stocked because they are seldom required for routine service.
- The construction parts of an assembled part are indicated with a collation number in the remark column.

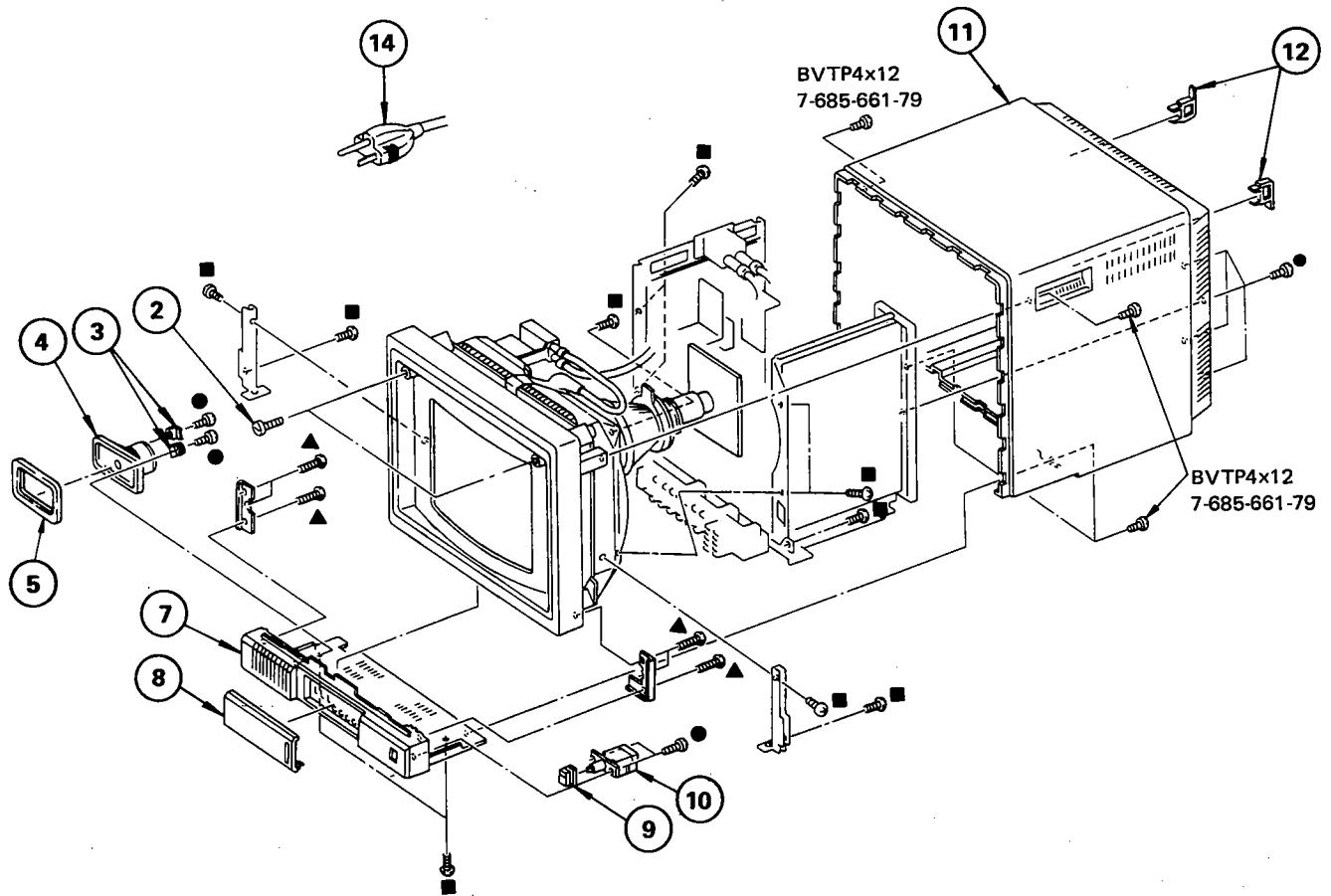
- Items marked " * " are not stocked since they are seldom required for routine service. Some delay should be anticipated when ordering these items.

The components identified by shading and mark ▲ are critical for safety. Replace only with part number specified.

Les composants identifiés par une trame et une marque ▲ sont critiques pour la sécurité. Ne les remplacer que par une pièce portant le numéro spécifié.

5-1. CABINET

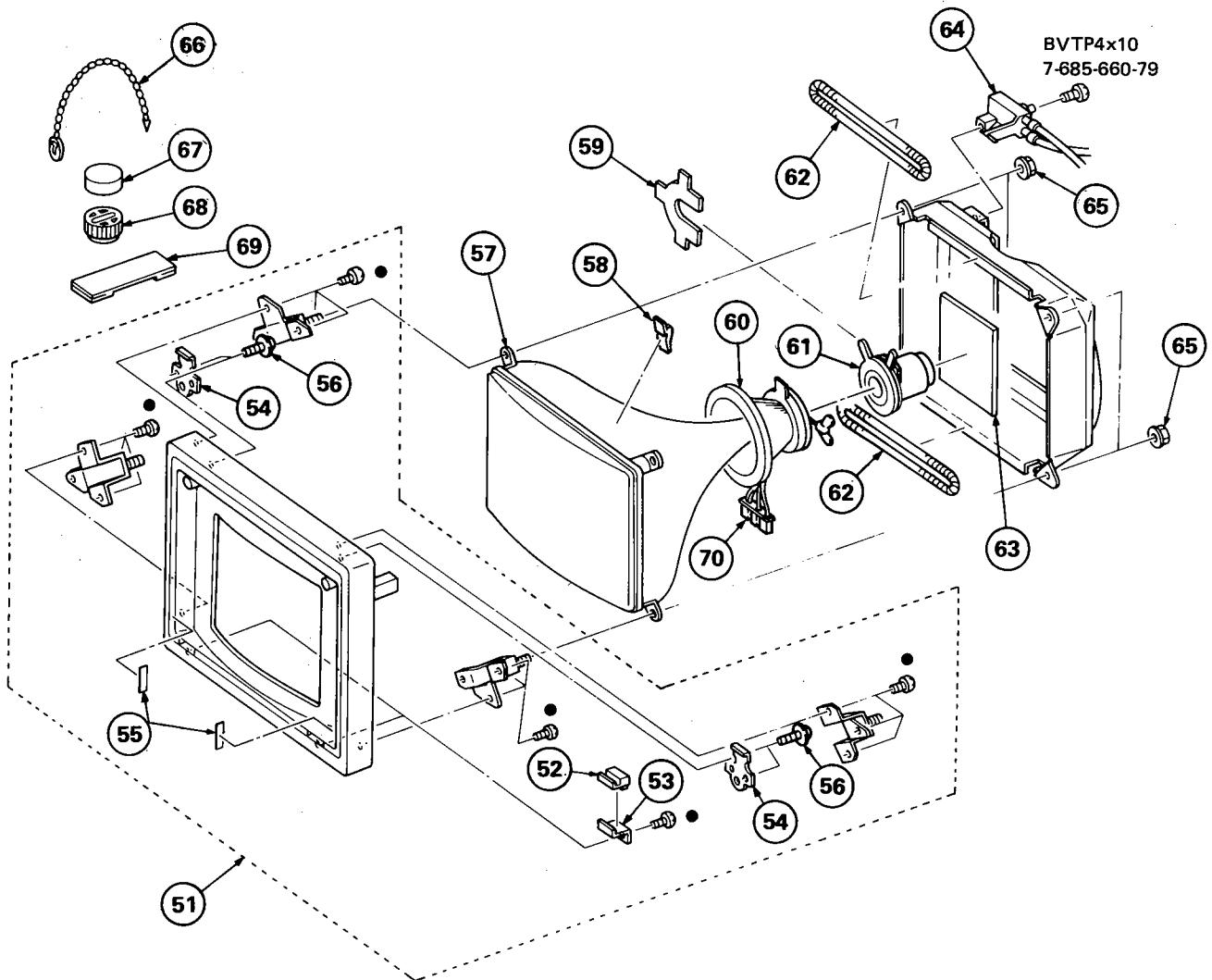
- : BVTP3x8 7-685-646-79
- : BVTP3x12 7-685-648-79
- ▲: BVTP4x12 7-685-661-14



No.	Part No.	Description	Remark	No.	Part No.	Description	Remark
2	4-336-851-51	SCREW, ORNAMENTAL		9	4-364-710-00	BUTTON, POWER	
3	*4-321-611-00	CLAW, RETAINING, SPEAKER		10	▲1-554-969-12	SWITCH, PUSH (AC POWER)(1 KEY)	
4	1-503-109-00	SPEAKER		11	X-4365-404-3	CABINET ASSY	
5	*4-364-741-00	CUSHION, SPEAKER		12	4-316-003-00	HOLDER, CORD	
7	X-4365-414-7	PANEL ASSY, CONTROL		14	▲1-534-517-31	CORD, AC	
8	X-4364-704-5	DOOR ASSY	8				

5-2. BEZEL

●: BVTP3x12 7-685-648-79



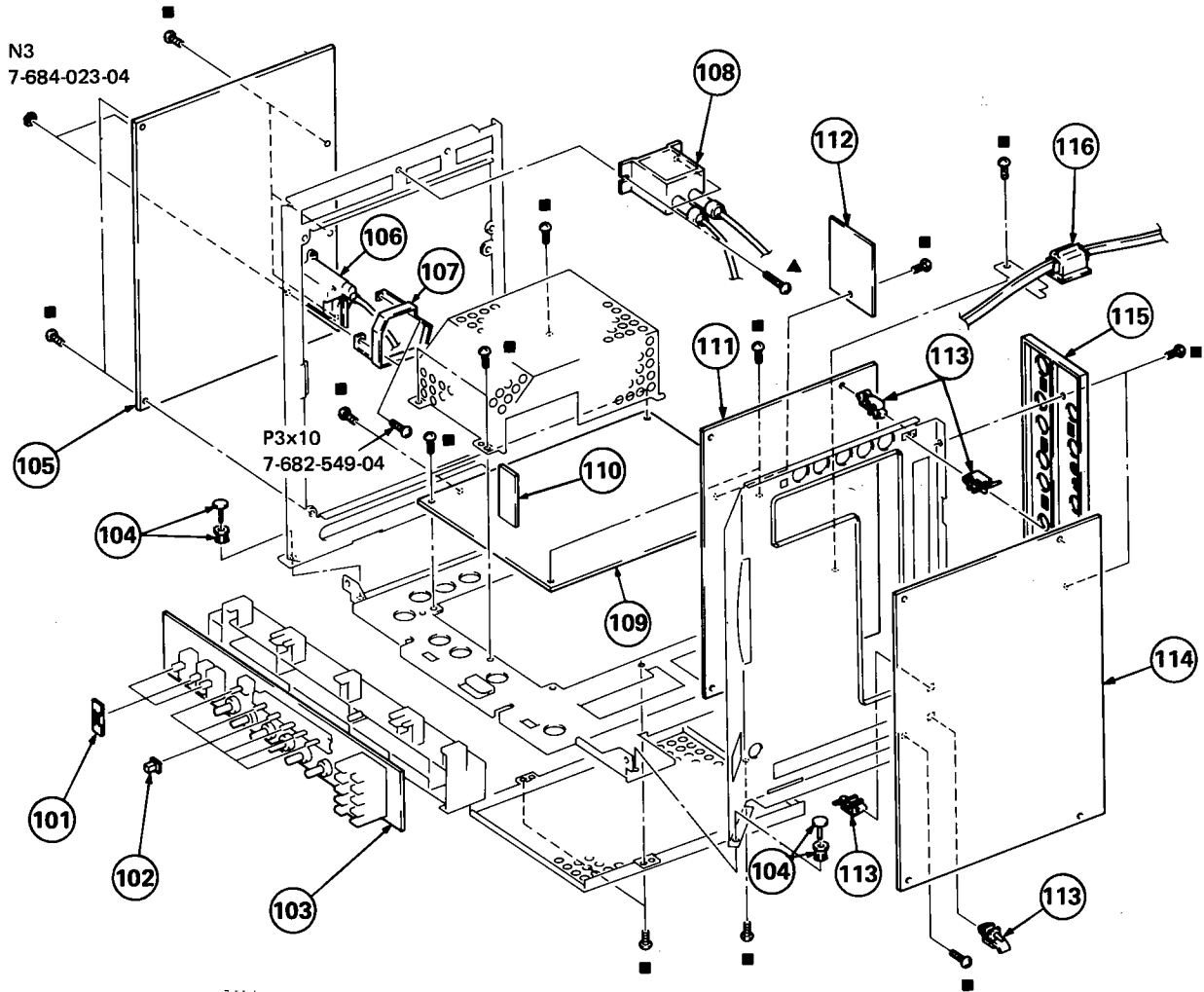
No.	Part No.	Description	Remark	No.	Part No.	Description	Remark
51	X-4364-702-3	BEZEL ASSY	52,53,54,55,56	61	▲1-452-214-12	CRT NECK ASSY (H TYPE)	
52	4-336-808-00	PROTECTOR, FILTER		62	▲1-426-086-41	COIL, DEGAUSSING	
53	4-364-701-00	HOLDER, FILTER		63	*A-1330-541-A	C1 BOARD, COMPLETE	
54	*4-341-905-00	NUT, PLATE (A)		64	▲1-228-482-14	RESISTOR ASSY, HIGH-VOLTAGE	
55	9-911-837-XX	CUSHION (B), FILTER		65	4-306-034-00	FLANGE NUT, (B) 5MM	
56	4-302-428-00	HEAD, WASHER, TAPPING SCREW		66	4-308-870-00	CLIP, LEAD WIRE	
57	▲8-738-312-05	PICTURE TUBE (330YB22)		67	1-452-032-00	MAGNET, DISK; 10MM φ	
58	3-703-961-01	SPACER, DY		68	1-452-094-00	MAGNET, ROTATABLE DISK; 15MM φ	
59	1-452-146-21	MAGNET, BMC		69	X-4308-815-0	PERMALLOY ASSY, CONVERGENCE	
60	▲1-451-239-12	DEFLECTION YOKE (SY-97A)		70	*1-556-528-11	CONNECTOR ASSY (MINI, DY) 6P	

The components identified by shading and mark ▲ are critical for safety. Replace only with part number specified.

Les composants identifiés par une trame et une marque ▲ sont critiques pour la sécurité. Ne les remplacer que par une pièce portant le numéro spécifié.

5-3. CHASSIS

- : BVTP3x8 7-685-646-79
- ▲: BVTP4x12 7-685-661-14



No.	Part No.	Description	Remark	No.	Part No.	Description	Remark
101	*4-337-419-00	INSULATOR (LARGE), SLIDE SWITCH		109	*A-1245-230-A	F BOARD, COMPLETE	110
102	4-369-627-01	PUSH BUTTON		110	*1-613-847-11	F2 BOARD	
103	*1-613-041-11	H BOARD		111	*A-1275-055-A	Q BOARD, COMPLETE	
104	3-646-090-00	RIVET, NYLON		112	*1-613-038-11	C2 BOARD	
105	*A-1345-472-A	D BOARD, COMPLETE		113	*3-703-141-00	HOLDER, PCB	
106	▲ 1-439-308-12	TRANSFORMER ASSY, FLYBACK		114	*A-1135-253-A	B BOARD, COMPLETE	
107	*4-364-749-00	PLATE, SHIELD, F.B.T		115	4-365-421-01	PANEL (C), CONNECTOR	
108	▲ 1-162-142-21	CAP BLOCK, HIGH VOLTAGE		116	▲ *4-364-726-01	BUSHING, AC CORD	

The components identified by shading and mark ▲ are critical for safety. Replace only with part number specified.

Les composants identifiés par une trame et une marque ▲ sont critiques pour la sécurité. Ne les remplacer que par une pièce portant le numéro spécifié.

B

SECTION 6 ELECTRICAL PARTS LIST

NOTE:

The components identified by shading and mark **▲** are critical for safety. Replace only with part number specified.

Les composants identifiés par une trame et une marque **▲** sont critiques pour la sécurité. Ne les remplacer que par une pièce portant le numéro spécifié.

• Items marked " * " are not stocked since they are seldom required for routine service. Some delay should be anticipated when ordering these items.

When indicating parts by reference number, please include the board name.

• All variable and adjustable resistors have characteristic curve B, unless otherwise noted.

CAPACITORS
• MF : μ F, PF : μ μ F

COILS
• MMH : mH, UH : μ H

RESISTORS

• All resistors are in ohms
• F : nonflammable

• The components identified by **■** in this manual have been carefully factory-selected for each set in order to satisfy regulations regarding X-ray radiation. Should replacement be required, replace only with the value originally used.

Ref.No.	Part No.	Description	Remark	Ref.No.	Part No.	Description	Remark
*A-1135-253-A	B BOARD, COMPLETE	*****		C112	1-102-971-00	CERAMIC 82PF	5% 50V
*3-538-178-00	HEAT SINK			C113	1-102-978-00	CERAMIC 220PF	5% 50V
*4-364-755-01	TAPE, SHIELD			C114	1-123-332-00	ELECT 47MF	20% 16V
CONNECTOR				C115	1-123-356-00	ELECT 10MF	20% 16V
B1	*1-560-124-00	PLUG, CONNECTOR (2.5MM PITCH)		C117	1-123-356-00	ELECT 10MF	20% 25V
B2	*1-560-224-00	PLUG, CONNECTOR (2.5MM) 10P		C119	1-102-944-00	CERAMIC 7PF	0.5PF 50V
B3	*1-560-124-00	PLUG, CONNECTOR (2.5MM) 4P		C120	1-102-944-00	CERAMIC 7PF	0.5PF 50V
B4	*1-560-128-00	PLUG, CONNECTOR (2.5MM PITCH)		C121	1-102-944-00	CERAMIC 7PF	0.5PF 50V
B5	*1-560-156-00	PLUG, CONNECTOR (2.5MM PITCH)		C122	1-102-944-00	CERAMIC 7PF	0.5PF 50V
B6	*1-560-290-00	PLUG, CONNECTOR (2.5MM PITCH)		C123	1-123-380-00	ELECT 1MF	20% 50V
B7	*1-560-124-00	PLUG, CONNECTOR (2.5MM) 4P		C124	1-123-356-00	ELECT 10MF	20% 25V
B8	*1-560-124-00	PLUG, CONNECTOR (2.5MM) 4P		C127	1-101-004-00	CERAMIC 0.01MF	50V
CAPACITOR				C128	1-123-380-00	ELECT 1MF	20% 50V
C003	1-123-356-00	ELECT 10MF	20% 25V	C129	1-123-356-00	ELECT 10MF	20% 25V
C004	1-123-356-00	ELECT 10MF	20% 25V	C130	1-123-380-00	ELECT 1MF	20% 50V
C005	1-123-356-00	ELECT 10MF	20% 25V	C131	1-106-220-00	MYLAR 0.1MF	10% 100V
C006	1-123-356-00	ELECT 10MF	20% 25V	C132	1-106-220-00	MYLAR 0.1MF	10% 100V
C007	1-123-356-00	ELECT 10MF	20% 25V	C133	1-123-332-00	ELECT 47MF	16V
C008	1-123-380-00	ELECT 1MF	20% 50V	C134	1-102-944-00	CERAMIC 7PF	0.5PF 50V
C009	1-106-383-00	MYLAR 0.047MF	10% 100V	C135	1-101-004-00	CERAMIC 0.01MF	50V
C010	1-123-356-00	ELECT 10MF	20% 25V	C136	1-101-880-00	CERAMIC 47PF	5% 50V
C011	1-123-356-00	ELECT 10MF	20% 25V	C137	1-102-959-00	CERAMIC 22PF	5% 50V
C012	1-123-356-00	ELECT 10MF	20% 25V	C138	1-101-004-00	CERAMIC 0.01MF	50V
C013	1-123-356-00	ELECT 10MF	20% 25V	C139	1-130-483-00	MYLAR 0.01MF	5% 50V
C014	1-123-380-00	ELECT 1MF	20% 50V	C140	1-123-381-00	ELECT 2.2MF	20% 50V
C015	1-106-383-00	MYLAR 0.047MF	10% 100V	C141	1-161-772-11	CERAMIC 0.1MF	10% 25V
C017	1-106-383-00	MYLAR 0.047MF	10% 100V	C142	1-161-772-11	CERAMIC 0.1MF	10% 25V
C018	1-123-380-00	ELECT 1MF	20% 50V	C143	1-101-880-00	CERAMIC 47PF	5% 50V
C019	1-123-356-00	ELECT 10MF	20% 25V	C144	1-101-880-00	CERAMIC 47PF	5% 50V
C020	1-123-356-00	ELECT 10MF	20% 25V	C145	1-102-934-00	CERAMIC 1PF	0.25PF 50V
C021	1-123-356-00	ELECT 10MF	20% 25V	C146	1-102-963-00	CERAMIC 33PF	5% 50V
C022	1-123-356-00	ELECT 10MF	20% 25V	C147	1-101-004-00	CERAMIC 0.01MF	50V
C023	1-123-356-00	ELECT 10MF	20% 25V	C148	1-123-356-00	ELECT 10MF	20% 25V
C024	1-123-356-00	ELECT 10MF	20% 25V	C149	1-101-004-00	CERAMIC 0.01MF	50V
C025	1-123-356-00	ELECT 10MF	20% 25V	C150	1-101-004-00	CERAMIC 0.01MF	50V
C026	1-123-332-00	ELECT 47MF	20% 25V	C151	1-101-004-00	CERAMIC 0.01MF	50V
C027	1-123-356-00	ELECT 10MF	20% 25V	C152	1-101-004-00	CERAMIC 0.01MF	50V
C100	1-101-361-00	CERAMIC 150PF	5% 50V	C153	1-106-375-12	MYLAR 0.022MF	10% 100V
C101	1-123-332-00	ELECT 47MF	20% 16V	C155	1-102-946-00	CERAMIC 9PF	0.5PF 50V
C102	1-123-332-00	ELECT 47MF	20% 25V	C156	1-123-330-00	ELECT 22MF	20% 25V
C103	1-102-961-00	CERAMIC 27PF	5% 50V	C157	1-123-380-00	ELECT 1MF	20% 50V
C104	1-102-973-00	CERAMIC 100PF	5% 50V	C158	1-123-382-00	ELECT 3.3MF	20% 50V
C105	1-123-356-00	ELECT 10MF	20% 16V	C159	1-124-049-00	ELECT 0.47MF	20% 50V
C106	1-123-356-00	ELECT 10MF	20% 25V	C160	1-102-115-00	CERAMIC 560PF	10% 50V
C107	1-102-978-00	CERAMIC 220PF	5% 50V	C161	1-102-971-00	CERAMIC 82PF	5% 50V
C108	1-123-356-00	ELECT 10MF	20% 16V	C162	1-101-361-00	CERAMIC 150PF	5% 50V
C109	1-102-959-00	CERAMIC 22PF	5% 50V	C163	1-102-971-00	CERAMIC 82PF	5% 50V
C110	1-102-961-00	CERAMIC 27PF	5% 50V	C164	1-121-257-00	ELECT 4.7MF	16V
C111	1-101-888-00	CERAMIC 68PF	5% 50V	C165	1-101-361-00	CERAMIC 150PF	5% 50V
				C166	1-101-888-00	CERAMIC 68PF	5% 50V
				C167	1-101-006-00	CERAMIC 0.047MF	50V
				C169	1-106-220-00	MYLAR 0.1MF	10% 100V
				C170	1-123-380-00	ELECT 1MF	20% 50V

B

Ref.No.	Part No.	Description	Remark	Ref.No.	Part No.	Description	Remark
C172	1-101-888-00	CERAMIC	68PF 5% 50V	C238	1-123-332-00	ELECT 47MF 20% 16V	
C173	1-106-359-00	MYLAR	0.0047MF 10% 100V	C239	1-101-004-00	CERAMIC 0.01MF 50V	
C175	1-101-361-00	CERAMIC	150PF 5% 50V	C244	1-101-004-00	CERAMIC 0.01MF 50V	
C176	1-102-951-00	CERAMIC	15PF 5% 50V	C245	1-101-004-00	CERAMIC 0.01MF 50V	
C177	1-102-963-00	CERAMIC	33PF 5% 50V	C246	1-101-004-00	CERAMIC 0.01MF 50V	
C178	1-123-356-00	ELECT	10MF 20% 25V	C247	1-101-006-00	CERAMIC 0.047MF 50V	
C179	1-101-004-00	CERAMIC	0.01MF 50V	C248	1-101-006-00	CERAMIC 0.047MF 50V	
C180	1-124-555-00	ELECT	1000MF 20% 16V	C250	1-123-330-00	ELECT 22MF 20% 25V	
C183	1-123-379-00	ELECT	0.47MF 20% 50V	C252	1-102-824-00	CERAMIC 470PF 5% 50V	
C184	1-123-379-00	ELECT	0.47MF 20% 50V	C1001	1-102-935-00	CERAMIC 2PF 0.25PF 50V	
C186	1-124-555-00	ELECT	1000MF 20% 16V	C1002	1-102-935-00	CERAMIC 2PF 0.25PF 50V	
C188	1-123-356-00	ELECT	10MF 20% 25V	C1003	1-102-935-00	CERAMIC 2PF 0.25PF 50V	
C189	1-123-356-00	ELECT	10MF 20% 25V	<u>DIODE</u>			
C190	1-123-356-00	ELECT	10MF 20% 25V	D001	8-719-911-19	DIODE 1SS119	
C195	1-102-824-00	CERAMIC	470PF 5% 50V	D002	8-719-911-19	DIODE 1SS119	
C200	1-124-463-00	ELECT	0.1MF 20% 50V	D003	8-719-911-19	DIODE 1SS119	
C201	1-124-463-00	ELECT	0.1MF 20% 50V	D004	8-719-911-19	DIODE 1SS119	
C202	1-124-463-00	ELECT	0.1MF 20% 50V	D005	8-719-911-19	DIODE 1SS119	
C203	1-121-257-00	ELECT	4.7MF 16V	D007	8-719-911-19	DIODE 1SS119	
C204	1-123-381-00	ELECT	2.2MF 20% 50V	D101	8-719-911-19	DIODE 1SS119	
C205	1-101-888-00	CERAMIC	68PF 5% 50V	D102	8-719-911-19	DIODE 1SS119	
C206	1-102-892-00	CERAMIC	22PF 5% 50V	D103	8-719-908-06	DIODE ERA81-005	
C207	1-102-679-00	CERAMIC	120PF 5% 50V	D104	8-719-911-19	DIODE 1SS119	
C208	1-101-880-00	CERAMIC	47PF 5% 50V	D105	8-719-911-19	DIODE 1SS119	
C209	1-102-971-00	CERAMIC	82PF 5% 50V	D106	8-719-911-19	DIODE 1SS119	
C210	1-102-978-00	CERAMIC	220PF 5% 50V	D107	8-719-911-19	DIODE 1SS119	
C211	1-106-367-00	MYLAR	0.01MF 10% 100V	D108	8-719-911-19	DIODE 1SS119	
C212	1-123-356-00	ELECT	10MF 20% 25V	D109	8-719-911-19	DIODE 1SS119	
C213	1-101-004-00	CERAMIC	0.01MF 50V	D110	8-719-911-19	DIODE 1SS119	
C214	1-130-483-00	MYLAR	0.01MF 5% 50V	D111	8-719-911-19	DIODE 1SS119	
C215	1-102-892-00	CERAMIC	22PF 5% 50V	D112	8-719-911-19	DIODE 1SS119	
C216	1-102-824-00	CERAMIC	470PF 5% 50V	D113	8-719-911-19	DIODE 1SS119	
C217	1-123-356-00	ELECT	10MF 20% 25V	D114	8-719-911-19	DIODE 1SS119	
C218	1-101-004-00	CERAMIC	0.01MF 50V	D115	8-719-911-19	DIODE 1SS119	
C219	1-123-332-00	ELECT	47MF 20% 25V	D116	8-719-911-19	DIODE 1SS119	
C220	1-124-556-11	ELECT	2200MF 20% 16V	D117	8-719-911-19	DIODE 1SS119	
C221	1-106-220-00	MYLAR	0.1MF 10% 100V	D118	8-719-911-19	DIODE 1SS119	
C222	1-123-321-00	ELECT	220MF 20% 16V	D119	8-719-911-19	DIODE 1SS119	
C223	1-123-332-00	ELECT	47MF 20% 16V	D120	8-719-911-19	DIODE 1SS119	
C224	1-123-369-00	ELECT	4.7MF 20% 25V	D122	8-719-911-19	DIODE 1SS119	
C225	1-123-380-00	ELECT	1MF 20% 50V	D123	8-719-911-19	DIODE 1SS119	
C226	1-102-121-00	CERAMIC	0.0022MF 10% 50V	D124	8-719-100-38	DIODE RD6.2E-82	
C227	1-130-491-00	MYLAR	0.047MF 5% 50V	D125	8-719-911-19	DIODE 1SS119	
C228	1-123-332-00	ELECT	47MF 20% 25V	D126	8-719-911-19	DIODE 1SS119	
C229	1-123-380-00	ELECT	1MF 20% 50V	<u>DELAY LINE</u>			
C230	1-102-121-00	CERAMIC	0.0022MF 10% 50V	DL101	1-415-280-00	DELAY LINE (1H)	
C231	1-123-356-00	ELECT	10MF 20% 16V	DL102	1-415-188-00	DELAY LINE	
C232	1-123-356-00	ELECT	10MF 20% 16V	DL103	1-415-122-31	DELAY LINE, 1H (PAL)	
C233	1-123-379-00	ELECT	0.47MF 20% 50V				
C234	1-106-367-00	MYLAR	0.01MF 10% 100V				
C235	1-123-321-00	ELECT	220MF 20% 16V				
C236	1-101-004-00	CERAMIC	0.01MF 50V				
C237	1-161-330-00	CERAMIC	0.01MF 30% 25V				

B

Ref.No.	Part No.	Description	Remark	Ref.No.	Part No.	Description	Remark
<u>FUSE</u>							
F201	A 1-532-624-11	FUSE, GLASS TUBE 0.5A/125V		Q104	8-729-178-54	TRANSISTOR 2SC2785	
<u>IC</u>				Q105	8-729-178-54	TRANSISTOR 2SC2785	
IC001	A 8-759-171-12	IC UPC7812H		Q106	8-729-178-54	TRANSISTOR 2SC2785	
IC101	8-752-006-10	IC CX20061		Q107	8-729-178-54	TRANSISTOR 2SC2785	
IC102	8-752-006-10	IC CX20061		Q108	8-729-178-54	TRANSISTOR 2SC2785	
IC103	8-759-113-65	IC UPCL365C		Q109	8-729-117-54	TRANSISTOR 2SA1175	
IC104	8-759-140-24	IC UPD4024BC		Q110	8-729-178-54	TRANSISTOR 2SC2785	
IC105	8-759-240-23	IC TC4023BP		Q111	8-729-178-54	TRANSISTOR 2SC2785	
IC201	8-759-100-15	IC UPCL364C2		Q114	8-729-313-42	TRANSISTOR 2SD1134	
IC202	8-759-101-77	IC UPCL241H		Q116	8-729-117-54	TRANSISTOR 2SA1175	
IC203	8-759-610-95	IC CX095E		Q117	8-729-178-54	TRANSISTOR 2SC2785	
<u>TERMINAL BOARD</u>				Q118	8-729-178-54	TRANSISTOR 2SC2785	
J2	1-536-842-11	TERMINAL BOARD, INPUT/OUTPUT(A)		Q120	8-729-178-54	TRANSISTOR 2SC2785	
<u>COIL</u>				Q121	8-729-117-54	TRANSISTOR 2SA1175	
L101	1-408-412-00	INDUCTOR	18UH	Q122	8-729-178-54	TRANSISTOR 2SC2785	
L102	1-408-412-00	INDUCTOR	18UH	Q123	8-729-178-54	TRANSISTOR 2SC2785	
L103	1-408-411-00	INDUCTOR	15UH	Q124	8-729-115-10	TRANSISTOR 2SK105A-10	
L104	1-408-414-00	INDUCTOR	27UH	Q125	8-729-178-54	TRANSISTOR 2SC2785	
L105	1-408-414-00	INDUCTOR	27UH	Q126	8-729-115-10	TRANSISTOR 2SK105A-10	
L106	1-408-409-00	INDUCTOR	10UH	Q127	8-729-115-10	TRANSISTOR 2SK105A-10	
L107	1-408-413-00	INDUCTOR	22UH	Q128	8-729-115-10	TRANSISTOR 2SK105A-10	
L108	1-408-416-00	INDUCTOR	39UH	Q129	8-729-178-54	TRANSISTOR 2SC2785	
L110	1-408-412-00	INDUCTOR	18UH	Q130	8-729-178-54	TRANSISTOR 2SC2785	
L111	1-408-406-00	INDUCTOR	5.6UH	Q131	8-729-115-10	TRANSISTOR 2SK105A-10	
L112	1-408-602-21	INDUCTOR	8.2UH	Q132	8-729-115-10	TRANSISTOR 2SK105A-10	
L113	1-408-226-00	INDUCTOR	82UH	Q133	8-729-178-54	TRANSISTOR 2SC2785	
L114	1-408-419-00	INDUCTOR	68UH	Q135	8-729-117-54	TRANSISTOR 2SA1175	
L201	1-408-247-00	INDUCTOR	33MMH	Q136	8-729-117-54	TRANSISTOR 2SA1175	
L202	1-408-163-00	INDUCTOR	5.6MMH	Q137	8-729-117-54	TRANSISTOR 2SA1175	
L203	1-408-414-00	INDUCTOR	27UH	Q138	8-729-117-54	TRANSISTOR 2SA1175	
<u>TRANSISTOR</u>				Q139	8-729-178-54	TRANSISTOR 2SC2785	
Q001	8-729-178-54	TRANSISTOR	2SC2785	Q140	8-729-117-54	TRANSISTOR 2SA1175	
Q002	8-729-117-54	TRANSISTOR	2SA1175	Q141	8-729-117-54	TRANSISTOR 2SA1175	
Q003	8-729-117-54	TRANSISTOR	2SA1175	Q142	8-729-117-54	TRANSISTOR 2SA1175	
Q004	8-729-117-54	TRANSISTOR	2SA1175	Q143	8-729-117-54	TRANSISTOR 2SA1175	
Q005	8-729-178-54	TRANSISTOR	2SC2785	Q144	8-729-178-54	TRANSISTOR 2SC2785	
Q006	8-729-117-54	TRANSISTOR	2SA1175	Q145	8-729-178-54	TRANSISTOR 2SC2785	
Q007	8-729-117-54	TRANSISTOR	2SA1175	Q148	8-729-178-54	TRANSISTOR 2SC2785	
Q008	8-729-178-54	TRANSISTOR	2SC2785	Q149	8-729-117-54	TRANSISTOR 2SA1175	
Q009	8-729-117-54	TRANSISTOR	2SA1175	Q150	8-729-117-54	TRANSISTOR 2SA1175	
Q010	8-729-178-54	TRANSISTOR	2SC2785	Q151	8-729-178-54	TRANSISTOR 2SC2785	
Q011	8-729-178-54	TRANSISTOR	2SC2785	Q152	8-729-178-54	TRANSISTOR 2SC2785	
Q012	8-729-117-54	TRANSISTOR	2SA1175	Q153	8-729-178-54	TRANSISTOR 2SC2785	
Q101	8-729-178-54	TRANSISTOR	2SC2785	Q154	8-729-178-54	TRANSISTOR 2SC2785	
Q102	8-729-178-54	TRANSISTOR	2SC2785	Q155	8-729-178-54	TRANSISTOR 2SC2785	
Q103	8-729-178-54	TRANSISTOR	2SC2785	Q159	8-729-117-54	TRANSISTOR 2SA1175	
<u>RESISTOR</u>				R002	1-247-713-11	CARBON	1K 5% 1/4W
R002	1-247-713-11	CARBON	1K 5% 1/4W	R003	1-249-434-11	CARBON	27K 5% 1/4W
R003	1-249-434-11	CARBON	27K 5% 1/4W	R004	1-249-424-11	CARBON	3.9K 5% 1/4W
R004	1-249-424-11	CARBON	3.9K 5% 1/4W	R005	1-249-421-11	CARBON	2.2K 5% 1/4W
R005	1-249-421-11	CARBON	2.2K 5% 1/4W	R006	1-249-439-11	CARBON	68K 5% 1/4W
R006	1-249-439-11	CARBON	68K 5% 1/4W				

The components identified by shading and mark **A** are critical for safety. Replace only with part number specified.

Les composants identifiés par une trame et une marque **A** sont critiques pour la sécurité. Ne les remplacer que par une pièce portant le numéro spécifié.

B

Ref.No.	Part No.	Description	Remark	Ref.No.	Part No.	Description	Remark
R007	1-249-433-11	CARBON	22K 5% 1/4W	R105	1-249-415-11	CARBON	680 5% 1/4W
R009	1-215-440-00	CARBON	6.2K 5% 1/4W	R106	1-249-423-11	CARBON	3.3K 5% 1/4W
R010	1-215-440-00	CARBON	6.2K 5% 1/4W	R107	1-249-426-11	CARBON	5.6K 5% 1/4W
R011	1-215-440-00	CARBON	6.2K 5% 1/4W	R108	1-249-429-11	CARBON	10K 5% 1/4W
R012	1-249-437-11	CARBON	47K 5% 1/4W	R109	1-249-413-11	CARBON	470 5% 1/4W
R013	1-249-440-11	CARBON	82K 5% 1/4W	R110	1-249-413-11	CARBON	470 5% 1/4W
R014	1-247-885-00	CARBON	180K 5% 1/4W	R111	1-249-421-11	CARBON	2.2K 5% 1/4W
R015	1-249-438-11	CARBON	56K 5% 1/4W	R112	1-249-415-11	CARBON	680 5% 1/4W
R016	1-249-417-11	CARBON	1K 5% 1/4W	R113	1-249-410-11	CARBON	270 5% 1/4W
R017	1-247-104-00	CARBON	75 5% 1/4W	R114	1-249-415-11	CARBON	680 5% 1/4W
R019	1-247-104-00	CARBON	75 5% 1/4W	R115	1-249-419-11	CARBON	1.5K 5% 1/4W
R020	1-249-434-11	CARBON	27K 5% 1/4W	R116	1-249-403-11	CARBON	68 5% 1/4W
R021	1-249-424-11	CARBON	3.9K 5% 1/4W	R117	1-249-415-11	CARBON	680 5% 1/4W
R022	1-249-433-11	CARBON	22K 5% 1/4W	R118	1-249-415-11	CARBON	680 5% 1/4W
R023	1-249-439-11	CARBON	68K 5% 1/4W	R119	1-249-405-11	CARBON	100 5% 1/4W
R024	1-215-440-00	CARBON	6.2K 5% 1/4W	R120	1-249-415-11	CARBON	680 5% 1/4W
R025	1-249-437-11	CARBON	47K 5% 1/4W	R121	1-249-415-11	CARBON	680 5% 1/4W
R026	1-249-466-11	CARBON	56K 5% 1/4W	R122	1-249-405-11	CARBON	100 5% 1/4W
R027	1-249-440-11	CARBON	82K 5% 1/4W	R123	1-249-417-11	CARBON	1K 5% 1/4W
R028	1-247-885-00	CARBON	180K 5% 1/4W	R124	1-249-413-11	CARBON	470 5% 1/4W
R029	1-249-429-11	CARBON	10K 5% 1/4W	R125	1-249-417-11	CARBON	1K 5% 1/4W
R030	1-247-885-00	CARBON	180K 5% 1/4W	R126	1-249-405-11	CARBON	100 5% 1/4W
R031	1-249-440-11	CARBON	82K 5% 1/4W	R127	1-249-415-11	CARBON	680 5% 1/4W
R032	1-249-437-11	CARBON	47K 5% 1/4W	R128	1-247-814-00	CARBON	200 5% 1/4W
R033	1-249-433-11	CARBON	22K 5% 1/4W	R129	1-249-419-11	CARBON	1.5K 5% 1/4W
R034	1-249-439-11	CARBON	68K 5% 1/4W	R130	1-249-415-11	CARBON	680 5% 1/4W
R035	1-249-417-11	CARBON	1K 5% 1/4W	R131	1-249-413-11	CARBON	470 5% 1/4W
R036	1-247-104-00	CARBON	75 5% 1/4W	R132	1-249-420-11	CARBON	1.8K 5% 1/4W
R037	1-249-434-11	CARBON	27K 5% 1/4W	R133	1-249-401-11	CARBON	47 5% 1/4W
R038	1-249-424-11	CARBON	3.9K 5% 1/4W	R135	1-215-406-00	CARBON	240 5% 1/4W
R039	1-215-440-00	CARBON	6.2K 5% 1/4W	R136	1-249-421-11	CARBON	2.2K 5% 1/4W
R040	1-249-439-11	CARBON	68K 5% 1/4W	R137	1-249-432-11	CARBON	18K 5% 1/4W
R041	1-247-104-00	CARBON	75 5% 1/4W	R138	1-249-423-11	CARBON	3.3K 5% 1/4W
R042	1-249-434-11	CARBON	27K 5% 1/4W	R140	1-249-433-11	CARBON	22K 5% 1/4W
R043	1-215-468-00	CARBON	91K 5% 1/4W	R141	1-249-433-11	CARBON	22K 5% 1/4W
R045	1-249-429-11	CARBON	10K 5% 1/4W	R143	1-249-405-11	CARBON	100 5% 1/4W
R046	1-249-428-11	CARBON	8.2K 5% 1/4W	R146	1-249-403-11	CARBON	68 5% 1/4W
R049	1-249-438-11	CARBON	56K 5% 1/4W	R147	1-249-419-11	CARBON	1.5K 5% 1/4W
R051	1-249-421-11	CARBON	2.2K 5% 1/4W	R148	1-249-419-11	CARBON	1.5K 5% 1/4W
R052 Δ	1-247-807-31	CARBON	100 5% 1/4W	R149	1-249-433-11	CARBON	22K 5% 1/4W
R053	1-249-437-11	CARBON	47K 5% 1/4W	R150	1-249-416-11	CARBON	820 5% 1/4W
R054	1-249-437-11	CARBON	47K 5% 1/4W	R151	1-249-413-11	CARBON	470 5% 1/4W
R055	1-249-440-11	CARBON	82K 5% 1/4W	R152	1-249-416-11	CARBON	820 5% 1/4W
R056	1-247-150-00	CARBON	6.2K 5% 1/4W	R153	1-249-423-11	CARBON	3.3K 5% 1/4W
R061	1-247-744-11	CARBON	270 5% 1/2W	R154	1-249-433-11	CARBON	22K 5% 1/4W
R062	1-247-714-11	CARBON	1.2K 5% 1/4W	R155	1-249-429-11	CARBON	10K 5% 1/4W
R063	1-249-397-11	CARBON	22 5% 1/4W	R156	1-249-435-11	CARBON	33K 5% 1/4W
R066	1-249-429-11	CARBON	10K 5% 1/4W	R157	1-249-435-11	CARBON	33K 5% 1/4W
R100	1-249-428-11	CARBON	8.2K 5% 1/4W	R158	1-249-439-11	CARBON	68K 5% 1/4W
R101	1-249-436-11	CARBON	39K 5% 1/4W	R159	1-249-415-11	CARBON	680 5% 1/4W
R102 Δ	1-247-815-31	CARBON	220 5% 1/4W	R160	1-249-436-11	CARBON	39K 5% 1/4W
R103	1-249-418-11	CARBON	1.2K 5% 1/4W	R161	1-249-429-11	CARBON	10K 5% 1/4W
R104	1-249-411-11	CARBON	330 5% 1/4W	R162	1-249-437-11	CARBON	47K 5% 1/4W

The components identified by shading and mark Δ are critical for safety. Replace only with part number specified.

Les composants identifiés par une trame et une marque Δ sont critiques pour la sécurité. Ne les remplacer que par une pièce portant le numéro spécifié.

B

Ref.No.	Part No.	Description	Remark	Ref.No.	Part No.	Description	Remark
R165	1-215-493-00	CARBON	1M 5% 1/4W	R223	1-249-426-11	CARBON	5.6K 5% 1/4W
R167	1-249-419-11	CARBON	1.5K 5% 1/4W	R224	1-247-891-00	CARBON	330K 5% 1/4W
R168	1-249-435-11	CARBON	33K 5% 1/4W	R225	1-249-441-11	CARBON	100K 5% 1/4W
R170	1-249-431-11	CARBON	15K 5% 1/4W	R226	1-215-468-00	CARBON	91K 5% 1/4W
R171	1-249-441-11	CARBON	100K 5% 1/4W	R228	1-249-419-11	CARBON	1.5K 5% 1/4W
R173	1-249-425-11	CARBON	4.7K 5% 1/4W	R230	1-249-425-11	CARBON	4.7K 5% 1/4W
R176	1-247-887-00	CARBON	220K 5% 1/4W	R231	1-249-438-11	CARBON	56K 5% 1/4W
R177	1-249-441-11	CARBON	100K 5% 1/4W	R232	1-249-412-11	CARBON	390 5% 1/4W
R178	1-247-883-00	CARBON	150K 5% 1/4W	R233	1-249-409-11	CARBON	220 5% 1/4W
R179	1-249-439-11	CARBON	68K 5% 1/4W	R234	1-249-409-11	CARBON	220 5% 1/4W
R180	1-249-417-11	CARBON	1K 5% 1/4W	R235	1-249-413-11	CARBON	470 5% 1/4W
R181	1-249-429-11	CARBON	10K 5% 1/4W	R236	1-249-405-11	CARBON	100 5% 1/4W
R182	1-249-437-11	CARBON	47K 5% 1/4W	R237	1-249-409-11	CARBON	220 5% 1/4W
R183	1-249-423-11	CARBON	3.3K 5% 1/4W	R238	1-249-435-11	CARBON	33K 5% 1/4W
R184	1-249-418-11	CARBON	1.2K 5% 1/4W	R239	1-249-440-11	CARBON	82K 5% 1/4W
R185	1-249-440-11	CARBON	82K 5% 1/4W	R240	1-249-422-11	CARBON	2.7K 5% 1/4W
R186	1-249-413-11	CARBON	470 5% 1/4W	R241	1-249-433-11	CARBON	22K 5% 1/4W
R187	1-249-434-11	CARBON	27K 5% 1/4W	R242	1-215-444-00	CARBON	9.1K 5% 1/4W
R188	1-249-435-11	CARBON	33K 5% 1/4W	R243	1-249-430-11	CARBON	12K 5% 1/4W
R189	1-249-439-11	CARBON	68K 5% 1/4W	R244	1-249-423-11	CARBON	3.3K 5% 1/4W
R190	1-249-435-11	CARBON	33K 5% 1/4W	R245	1-249-426-11	CARBON	5.6K 5% 1/4W
R191	1-249-437-11	CARBON	47K 5% 1/4W	R246	1-249-429-11	CARBON	10K 5% 1/4W
R192	1-249-421-11	CARBON	2.2K 5% 1/4W	R247	1-249-431-11	CARBON	15K 5% 1/4W
R193	1-249-424-11	CARBON	3.9K 5% 1/4W	R248	1-249-421-11	CARBON	2.2K 5% 1/4W
R194	1-249-431-11	CARBON	15K 5% 1/4W	R249	1-249-437-11	CARBON	47K 5% 1/4W
R195	1-249-421-11	CARBON	2.2K 5% 1/4W	R250	1-247-885-00	CARBON	180K 5% 1/4W
R196	1-249-434-11	CARBON	27K 5% 1/4W	R251	1-249-426-11	CARBON	5.6K 5% 1/4W
R197	1-249-415-11	CARBON	680 5% 1/4W	R252	1-249-428-11	CARBON	8.2K 5% 1/4W
R198	1-249-415-11	CARBON	680 5% 1/4W	R253	1-249-423-11	CARBON	3.3K 5% 1/4W
R199	1-249-417-11	CARBON	1K 5% 1/4W	R254	1-249-429-11	CARBON	10K 5% 1/4W
R200	1-249-433-11	CARBON	22K 5% 1/4W	R255	1-249-417-11	CARBON	1K 5% 1/4W
R201	1-215-493-00	CARBON	1M 5% 1/4W	R256	1-249-428-11	CARBON	8.2K 5% 1/4W
R202	1-215-493-00	CARBON	1M 5% 1/4W	R258	1-249-421-11	CARBON	2.2K 5% 1/4W
R203	1-249-429-11	CARBON	10K 5% 1/4W	R259	1-249-428-11	CARBON	8.2K 5% 1/4W
R204	1-249-429-11	CARBON	10K 5% 1/4W	R260	1-249-439-11	CARBON	68K 5% 1/4W
R205	1-249-429-11	CARBON	10K 5% 1/4W	R261	1-249-429-11	CARBON	10K 5% 1/4W
R206	1-249-439-11	CARBON	68K 5% 1/4W	R262	1-249-441-11	CARBON	100K 5% 1/4W
R207	1-249-409-11	CARBON	220 5% 1/4W	R263	1-249-429-11	CARBON	10K 5% 1/4W
R208	1-249-429-11	CARBON	10K 5% 1/4W	R264	1-249-439-11	CARBON	68K 5% 1/4W
R209	1-249-435-11	CARBON	33K 5% 1/4W	R265	1-249-429-11	CARBON	10K 5% 1/4W
R210	1-249-409-11	CARBON	220 5% 1/4W	R266	1-249-429-11	CARBON	10K 5% 1/4W
R211	1-249-409-11	CARBON	220 5% 1/4W	R267	1-249-439-11	CARBON	68K 5% 1/4W
R212	1-249-424-11	CARBON	3.9K 5% 1/4W	R268	1-249-439-11	CARBON	68K 5% 1/4W
R213	1-249-409-11	CARBON	220 5% 1/4W	R269	1-249-429-11	CARBON	10K 5% 1/4W
R214	1-249-409-11	CARBON	220 5% 1/4W	R270	1-249-415-11	CARBON	680 5% 1/4W
R215	1-249-425-11	CARBON	4.7K 5% 1/4W	R271	1-249-469-11	CARBON	100K 5% 1/4W
R216	1-249-441-11	CARBON	100K 5% 1/4W	R272	1-246-517-25	CARBON	68K 5% 1/4W
R217	1-249-441-11	CARBON	100K 5% 1/4W	R273	1-202-463-00	SOL ID	2.2M 5% 1/4W
R218	1-249-429-11	CARBON	10K 5% 1/4W	R274	1-249-465-11	CARBON	47K 5% 1/4W
R219	1-249-426-11	CARBON	5.6K 5% 1/4W	R275	1-249-429-11	CARBON	10K 5% 1/4W
R220	1-249-435-11	CARBON	33K 5% 1/4W	R276	1-249-431-11	CARBON	15K 5% 1/4W
R221	1-215-458-00	CARBON	36K 5% 1/4W	R277	1-249-416-11	CARBON	820 5% 1/4W
R222	1-249-439-11	CARBON	68K 5% 1/4W	R278	1-249-421-11	CARBON	2.2K 5% 1/4W



Ref.No.	Part No.	Description	Remark	Ref.No.	Part No.	Description	Remark
R279	1-246-509-25	CARBON	33K 5% 1/4W	RV105	1-226-852-00	RES, ADJ, CARBON 22K	
R280	1-249-437-11	CARBON	47K 5% 1/4W	RV106	1-226-849-00	RES, ADJ, CARBON 3.3K	
R281	1-249-431-11	CARBON	15K 5% 1/4W	RV107	1-228-724-00	RES, ADJ, CARBON 10K	
R282	1-249-421-11	CARBON	2.2K 5% 1/8W	RV108	1-226-850-00	RES, ADJ, CARBON 4.7K	
R283	1-249-425-11	CARBON	4.7K 5% 1/4W	RV109	1-226-850-00	RES, ADJ, CARBON 4.7K	
R284	1-249-428-11	CARBON	8.2K 5% 1/4W	RV110	1-226-846-00	RES, ADJ, CARBON 470	
R285	1-249-423-11	CARBON	3.3K 5% 1/4W	RV111	1-226-853-00	RES, ADJ, CARBON 47K	
R286	1-249-423-11	CARBON	3.3K 5% 1/4W	<u>SWITCH</u>			
R287	1-215-493-00	CARBON	1M 5% 1/4W	S1	1-553-725-00	SWITCH, SL IDE	
R288	1-249-441-11	CARBON	100K 5% 1/4W	S2	1-553-725-00	SWITCH, SL IDE	
R290	1-249-429-11	CARBON	10K 5% 1/4W	S3	1-553-725-00	SWITCH, SL IDE	
R291	1-249-429-11	CARBON	10K 5% 1/4W	<u>TRANSFORMER</u>			
R292	1-249-447-11	CARBON	1 5% 1/4W	T101	1-408-513-00	COIL (VARIABLE)	
R293	1-249-422-11	CARBON	2.7K 5% 1/4W	T102	1-409-193-00	COIL 3.58MHZ TRAP	
R294	1-249-405-11	CARBON	100 5% 1/4W	T103	1-409-193-00	COIL 3.58MHZ TRAP	
R295	1-249-429-11	CARBON	10K 5% 1/4W	T104	1-404-081-00	TRANSFORMER, DELAY ADJUST	
R296	1-249-469-11	CARBON	100K 5% 1/4W	T201	1-404-146-00	TRANSFORMER	
R297	1-249-437-11	CARBON	47K 5% 1/4W	T202	1-408-532-00	COIL, VARIABLE	
R298	1-249-437-11	CARBON	47K 5% 1/4W	T203	1-408-532-00	COIL, VARIABLE	
R299	1-249-413-11	CARBON	470 5% 1/4W	T204	1-408-513-00	COIL (VARIABLE)	
R301	1-247-658-11	CARBON	47 5% 1/4W	<u>THERMISTOR</u>			
R302	1-249-437-11	CARBON	47K 5% 1/4W	TH101	1-800-070-XX	THERMISTOR TH-4700	
R303	1-249-415-11	CARBON	680 5% 1/4W	TH201	1-800-626-00	THERMISTOR	
R304	1-249-415-11	CARBON	680 5% 1/4W	<u>CRYSTAL</u>			
R305	1-249-415-11	CARBON	680 5% 1/4W	X101	1-567-505-11	OSCILLATOR, CRYSTAL	
R306	1-247-883-00	CARBON	150K 5% 1/4W	X102	1-567-504-11	OSCILLATOR, CRYSTAL	
R307	1-249-411-11	CARBON	330 5% 1/4W	*****			
R308	1-249-434-11	CARBON	27K 5% 1/4W	*A-1245-230-A F BOARD, COMPLETE			
R309	1-249-409-11	CARBON	220 5% 1/4W	*****			
R310	1-249-423-11	CARBON	3.3K 5% 1/4W	<u>CAPACITOR</u>			
R311	1-215-462-00	CARBON	51K 5% 1/4W	C601	1-108-745-52	MYLAR 0.22MF 20% 125V	
R312	1-249-421-11	CARBON	2.2K 5% 1/4W	C602	1-108-745-52	MYLAR 0.22MF 20% 125V	
R313	1-249-425-11	CARBON	4.7K 5% 1/4W	C603	1-161-953-51	CERAMIC 0.0047MF 20% 400V	
R314	1-249-435-11	CARBON	33K 5% 1/4W	C604	1-161-953-51	CERAMIC 0.0047MF 20% 400V	
R315	1-249-419-11	CARBON	1.5K 5% 1/4W	C605	1-161-953-51	CERAMIC 0.0047MF 20% 400V	
R316	1-249-419-11	CARBON	1.5K 5% 1/4W	C606	1-161-953-51	CERAMIC 0.0047MF 20% 400V	
R317	1-247-711-11	CARBON	680 5% 1/4W	C607	1-161-953-51	CERAMIC 0.0047MF 20% 400V	
R318	1-249-408-11	CARBON	180 5% 1/4W	C608	1-161-953-00	CERAMIC 0.0047MF 20% 400V	
R319	1-249-413-11	CARBON	470 5% 1/4W	C609	1-161-953-00	CERAMIC 0.0047MF 20% 400V	
R322	1-249-427-11	CARBON	6.8K 5% 1/4W	C610	1-161-953-51	CERAMIC 0.0047MF 20% 400V	
R324	1-247-711-11	CARBON	680 5% 1/4W	C611	1-125-260-00	ELECT(BLOCK) 470MF 200V	
R325	1-249-429-11	CARBON	10K 5% 1/4W	C612	1-123-335-00	ELECT 330MF 20% 25V	
R326	1-249-424-11	CARBON	3.9K 5% 1/4W	C613	1-136-071-00	FILM 0.0057MF 3% 2KV	
R328	1-249-420-11	CARBON	1.8K 5% 1/4W	C614	1-123-337-00	ELECT 1000MF 20% 25V	
R329	1-249-424-11	CARBON	3.9K 5% 1/4W	C615	1-123-333-00	ELECT 100MF 20% 16V	
R332	1-249-438-11	CARBON	56K 5% 1/4W	C616	1-123-381-00	ELECT 2.2MF 20% 50V	
R348	1-249-430-11	CARBON	12K 5% 1/4W	<u>VARIABLE RESISTOR</u>			
R349	1-249-429-11	CARBON	10K 5% 1/4W	RV101	1-226-845-00	RES, ADJ, CARBON 330	
				RV103	1-226-849-00	RES, ADJ, CARBON 3.3K	
				RV104	1-226-852-00	RES, ADJ, CARBON 22K	

The components identified by shading and mark **A** are critical for safety. Replace only with part number specified.

Les composants identifiés par une trame et une marque **A** sont critiques pour la sécurité. Ne les remplacer que par une pièce portant le numéro spécifié.

F

Ref.No.	Part No.	Description	Remark	Ref.No.	Part No.	Description	Remark
C617	1-102-125-00	CERAMIC	0.0047MF 10%				
C619	1-106-351-00	MYLAR	0.0022MF 10%				
C621	1-123-356-00	ELECT	10MF 20%				
C622	1-102-121-00	CERAMIC	0.0022MF 10%				
C623	1-101-004-00	CERAMIC	0.01MF				
C624	1-123-381-00	ELECT	2.2MF 20%				
C625	1-123-380-00	ELECT	1MF 20%				
C626	1-102-095-00	CERAMIC	330PF 10%				
C627	1-123-024-00	ELECT	33MF				
C628	1-123-024-00	ELECT	33MF				
C629	1-123-360-00	ELECT	100MF 20%				
C630	1-123-998-00	ELECT	470MF 20%				
C631	1-123-998-00	ELECT	470MF 20%				
C632	1-126-103-11	ELECT	470MF 20%				
C635	1-102-123-00	CERAMIC	0.0033MF 10%				
C640	▲ 1-161-953-51	CERAMIC	0.0047MF 20%				
C643	1-123-333-00	ELECT	100MF 20%				
C644	1-123-334-00	ELECT	220MF 20%				
C645	1-123-334-00	ELECT	220MF 20%				
C646	1-123-359-00	ELECT	47MF 20%				
C647	1-123-024-00	ELECT	33MF				
C648	▲ 1-161-742-12	CERAMIC	0.0022MF 20%				
C649	▲ 1-161-742-12	CERAMIC	0.0022MF 20%				
C650	▲ 1-108-745-52	MYLAR	0.22MF 20%				
C655	1-123-027-00	ELECT	2.2MF				
C656	1-101-004-00	CERAMIC	0.01MF				
C657	1-101-004-00	CERAMIC	0.01MF				
C658	1-106-383-00	MYLAR	0.047MF 10%				
C659	1-102-820-00	CERAMIC	330PF 5%				
C660	1-101-004-00	CERAMIC	0.01MF				
C665	1-123-356-00	ELECT	10MF 20%				
DIODE							
D601	8-719-503-06	DIODE S3WB60Z					
D602	▲ 8-719-100-77	DIODE RD18E-B2					
D603	8-719-911-55	DIODE U05G					
D604	▲ 8-719-901-58	DIODE RGP15J					
D605	▲ 8-719-901-58	DIODE RGP15J					
D606	▲ 8-719-301-34	DIODE GM-3					
D607	8-719-300-76	DIODE RH1A					
D608	8-719-102-74	DIODE RD6.2E-N2					
D609	8-719-901-83	DIODE 1SS83					
D610	8-719-100-86	DIODE RD22E-B2					
D611	8-719-901-83	DIODE 1SS83					
D612	8-719-900-26	DIODE ERD29-08J					
D613	8-719-918-77	DIODE V19G					
D614	8-719-918-77	DIODE V19G					
D615	8-719-981-00	DIODE ERC81-004					
D616	8-719-981-00	DIODE ERC81-004					
D618	8-719-911-19	DIODE 1SS119					
CONNECTOR							
F1	*1-506-348-XX	3P PLUG (L)					
F3	1-508-765-00	3P PLUG (M)					
F4	*1-560-290-00	PLUG, CONNECTOR (2.5MM PITCH)					
F6	1-508-766-00	4P PLUG (M)					
F7	*1-560-124-00	PLUG, CONNECTOR (2.5MM PITCH)					
F8	*1-560-123-00	PLUG, CONNECTOR (2.5MM) 3P					
FUSE							
F601	▲ 1-532-656-11	FUSE, GLASS TUBE 6.3A/125V					
	1-533-087-00	HOLDER, FUSE; F601					
IC							
IC601	8-759-100-75	IC UPCL394C					
COIL							
L601	1-408-225-00	INDUCTOR 3.3UH					
L602	1-407-365-00	COIL, CHOKE (HIGH FREQUENCY)					
L603	1-407-687-00	INDUCTOR 3.3UH					
L609	1-459-155-00	COIL (WITH CORE) 45UH					
L610	1-459-155-00	COIL (WITH CORE) 45UH					
L612	1-459-155-00	COIL (WITH CORE) 45UH					
L613	1-407-687-00	INDUCTOR 3.3UH					
L615	1-407-364-00	COIL, SPOCK CHOKE 3.3UH					
TRANSISTOR							
Q601	8-729-168-82	TRANSISTOR 2SC2688					
Q602	▲ 8-729-313-81	TRANSISTOR 2SD1138-B					
	*4-347-706-00	HEAT SINK (TR); Q602					
Q603	▲ 8-729-374-01	TRANSISTOR 2SB740-2					
Q604	▲ 8-729-177-43	TRANSISTOR 2SD774-4					
	4-363-414-00	SPACER, MICA; Q605					
Q605	▲ 8-729-802-07	TRANSISTOR 2SD1403-CA					
	*4-367-204-00	HOLDER (REG OUT), TRANSFORMER; Q605					
Q606	▲ 8-729-177-43	TRANSISTOR 2SD774-4					
RESISTOR							
R601	▲ 1-202-727-51	SOLID 4.7M 10% 1/2W					
R602	▲ 1-202-730-11	SOLID 8.2M 10% 1/2W					
R603	1-244-919-51	CARBON 82K 5% 1/2W					
R604	1-206-671-00	METAL OXIDE 2K 5% 2W F					
R605	1-249-425-11	CARBON 4.7K 5% 1/4W					
R606	▲ 1-217-266-11	WIREWOUND 27K 10% 3W F					
R607	▲ 1-247-805-31	CARBON 82 5% 1/4W					
R608	1-217-189-21	WIREWOUND 0.12 10% 2W F					
R609	1-207-692-00	WIREWOUND 680 10% 5W F					
R610	1-207-692-00	WIREWOUND 680 10% 5W F					
R611	1-213-145-00	METAL OXIDE 1.5K 5% 1W F					
R612	1-215-460-00	CARBON 43K 5% 1/4W					
R613	1-249-411-11	CARBON 330 5% 1/4W					
R614	1-215-437-00	METAL 4.7K 1% 1/6W					
R615	1-215-437-00	METAL 4.7K 1% 1/6W					

The components identified by shading and mark ▲ are critical for safety. Replace only with part number specified.

Les composants identifiés par une trame et une marque ▲ sont critiques pour la sécurité. Ne les remplacer que par une pièce portant le numéro spécifié.



Ref.No.	Part No.	Description	Remark	Ref.No.	Part No.	Description	Remark
R616	1-249-423-11	CARBON	3.3K 5% 1/4W				
R618	1-247-881-00	CARBON	120K 5% 1/4W				
R619	1-247-895-00	CARBON	470K 5% 1/4W				
R620	1-249-434-11	CARBON	27K 5% 1/4W	D617	8-729-101-31	TRANSISTOR N13T1	
R621	1-249-429-11	CARBON	10K 5% 1/4W	D620	8-719-102-90	DIODE RD10E-N2	
R622	1-215-441-00	METAL	6.8K 1% 1/6W				
R624	1-215-456-00	METAL	30K 1% 1/6W				
R625	1-249-429-11	CARBON	10K 5% 1/4W				
R626	1-249-405-11	CARBON	100 5% 1/4W				
R627	1-249-437-11	CARBON	47K 5% 1/4W				
R628	1-249-417-11	CARBON	1K 5% 1/4W				
R629	1-249-416-11	CARBON	820 5% 1/4W				
R630	1-249-409-11	CARBON	220 5% 1/4W				
R631	1-213-163-00	METAL OXIDE	47K 5% 1W F				
R632	1-247-033-11	CARBON	100 5% 1/8W F				
R640	1-212-352-61	METAL OXIDE	0.22 5% 1W F				
R643	1-217-418-21	FUSIBLE	0.47 10% 1/2W F				
R644	1-216-345-11	METAL OXIDE	0.47 5% 1W F				
R645	1-216-345-11	METAL OXIDE	0.47 5% 1W F				
R646	1-212-352-00	METAL OXIDE	0.22 5% 1W F				
R647	1-202-841-00	SOLID	180K 10% 1/2W				
R648	1-202-433-35	SOLID	120K 10% 1/4W				
R649	1-249-417-11	CARBON	1K 5% 1/4W				
R650	1-249-433-11	CARBON	22K 5% 1/4W				
R655	1-217-249-11	WIREWOUND	1 10% 3W F				
R659	1-247-692-11	CARBON	22 5% 1/4W F				
R660	1-249-466-11	CARBON	56K 5% 1/4W				
R665	1-249-397-11	CARBON	22 5% 1/8W F				
R666							
<u>VARIABLE RESISTOR</u>							
RV601	1-224-249-XX	RES, ADJ, METAL GLAZE 1K					
<u>TRANSFORMER</u>							
T601	1-421-556-21	TRANSFORMER, LINE FILTER (LFT)					
T602	1-421-556-21	TRANSFORMER, LINE FILTER (LFT)					
T603	1-421-692-11	SRT					
T604	1-421-678-11	TRANSFORMER, PULS					
<u>THERMISTOR</u>							
THP601A	1-800-686-32	THERMISTOR (POSITIVE)					
THP602	1-806-449-11	THERMISTOR (POSITIVE)					

*1-613-847-11	F2 BOARD						

*1-564-315-00	PIN ASSY, BOARD TO BOARD 7P						
<u>CAPACITOR</u>							
C655	1-123-381-00	ELECT	2.2MF 20% 50V	C402	1-123-356-00	ELECT	10MF 20% 25V
				C403	1-102-949-00	CERAMIC	12PF 5% 50V
				C405	1-123-380-00	ELECT	1MF 20% 50V
				C407	1-123-356-00	ELECT	10MF 20% 25V
				C408	1-102-949-00	CERAMIC	12PF 5% 50V
				C410	1-123-380-00	ELECT	1MF 20% 50V
				C412	1-123-356-00	ELECT	10MF 20% 25V
				C413	1-102-949-00	CERAMIC	12PF 5% 50V
				C415	1-123-380-00	ELECT	1MF 20% 50V
				C417	1-123-332-00	ELECT	47MF 20% 25V
				C419	1-106-383-00	MYLAR	0.047MF 10% 100V
				C420	1-123-380-00	ELECT	1MF 20% 50V
				C422	1-106-383-00	MYLAR	0.047MF 10% 100V
				C423	1-123-380-00	ELECT	1MF 20% 50V
				C424	1-126-103-11	ELECT	470MF 20% 16V
				C426	1-123-234-00	ELECT	10MF 20% 50V
				C428	1-123-234-00	ELECT	10MF 20% 50V
				C430	1-123-234-00	ELECT	10MF 20% 50V
				C432	1-123-332-00	ELECT	47MF 20% 25V
				C433	1-123-356-00	ELECT	10MF 20% 25V
				C434	1-102-820-00	CERAMIC	330PF 5% 50V
				C435	1-123-332-00	ELECT	47MF 20% 25V
				C436	1-101-006-00	CERAMIC	0.047MF 50V
				C437	1-123-234-00	ELECT	10MF 20% 50V
				C438	1-123-369-00	ELECT	4.7MF 20% 25V
				C441	1-101-006-00	CERAMIC	0.047MF 50V
				C443	1-106-383-00	MYLAR	0.047MF 10% 100V
				C444	1-106-367-00	MYLAR	0.01MF 10% 100V
				C446	1-123-379-00	ELECT	0.47MF 20% 50V
				C447	1-123-379-00	ELECT	0.47MF 20% 50V
				C448	1-123-379-00	ELECT	0.47MF 20% 50V

• The components identified by \boxtimes in this manual have been carefully factory-selected for each set in order to satisfy regulations regarding X-ray radiation. Should replacement be required, replace only with the value originally used.

The components identified by shading and mark \boxtimes are critical for safety. Replace only with part number specified.

Les composants identifiés par une trame et une marque \boxtimes sont critiques pour la sécurité. Ne les remplacer que par une pièce portant le numéro spécifié.

Q

Ref.No.	Part No.	Description	Remark	Ref.No.	Part No.	Description	Remark
C452	1-123-382-00	ELECT 3.3MF	20% 50V	D426	8-719-109-93	DIODE RD6.2ES-B2	
C453	1-123-228-00	ELECT 1MF	20% 50V	D427	8-719-109-93	DIODE RD6.2ES-B2	
C455	1-101-006-00	CERAMIC 0.047MF	50V	D428	8-719-109-93	DIODE RD6.2ES-B2	
C457	1-102-820-00	CERAMIC 330PF	5% 50V	D435	8-719-911-19	DIODE 1SS119	
C459	1-102-820-00	CERAMIC 330PF	5% 50V	D436	8-719-911-19	DIODE 1SS119	
C461	1-102-820-00	CERAMIC 330PF	5% 50V	D437	8-719-911-19	DIODE 1SS119	
C463	1-123-356-00	ELECT 10MF	20% 25V	<u>FUSE</u>			
C464	1-123-332-00	ELECT 47MF	20% 25V	F401	1-532-580-11	FUSE, GLASS TUBE 0.5A/125V	
C466	1-123-332-00	ELECT 47MF	20% 25V	1-533-087-00	HOLDER, FUSE; F401		
C467	1-101-006-00	CERAMIC 0.047MF	50V	F402	1-532-536-11	FUSE, GLASS-TUBE 1A/125V	
C468	1-101-006-00	CERAMIC 0.047MF	50V	1-533-087-00	HOLDER, FUSE; F402		
C469	1-106-367-00	MYLAR 0.01MF	10% 100V	F403	1-532-580-11	FUSE, GLASS TUBE 0.5A/125V	
C489	1-123-332-00	ELECT 47MF	20% 25V	1-533-087-00	HOLDER, FUSE; F403		
C490	1-123-332-00	ELECT 47MF	20% 25V	F404	1-532-580-11	FUSE, GLASS TUBE 0.5A/125V	
C491	1-123-332-00	ELECT 47MF	20% 25V	1-533-087-00	HOLDER, FUSE; F404		
C492	1-123-332-00	ELECT 47MF	20% 25V	<u>IC</u>			
C493	1-101-361-00	CERAMIC 150PF	5% 50V	IC401	8-752-201-90	IC CX22019	
C494	1-106-367-00	MYLAR 0.01MF	10% 100V	IC402	8-759-900-09	IC SN74LS09N	
C495	1-101-006-00	CERAMIC 0.047MF	50V	IC403	8-759-901-36	IC SN74LS136N	
C497	1-123-356-00	ELECT 10MF	20% 25V	IC404	8-759-900-08	IC SN74LS08N	
<u>CONNECTOR</u>				IC405	8-759-900-08	IC SN74LS08N	
CN407	*1-562-243-00	CONNECTOR 25P		IC406	8-759-900-04	IC SN74LS04N	
Q1	*1-560-124-00	PLUG, CONNECTOR (2.5MM) 4P		IC407	8-759-900-00	IC SN74LS00N	
Q2	*1-560-124-00	PLUG, CONNECTOR (2.5MM) 4P		IC408	8-759-900-20	IC SN74LS20N	
Q3	*1-560-224-00	PLUG, CONNECTOR (2.5MM) 10P		IC409	8-759-901-38	IC SN74LS138N	
Q4	*1-560-125-00	PLUG, CONNECTOR (2.5MM) 5P		REG401	8-759-171-05	IC UPC7805H	
Q5	*1-560-126-00	PLUG, CONNECTOR (2.5MM) 6P		REG402	8-759-171-12	IC UPC7812H	
Q7	*1-560-128-00	PLUG, CONNECTOR (2.5MM PITCH)		<u>COIL</u>			
<u>DIODE</u>				L401	1-408-602-21	INDUCTOR 8.2UH	
D401	8-719-911-19	DIODE 1SS119		L402	1-408-602-21	INDUCTOR 8.2UH	
D402	8-719-911-19	DIODE 1SS119		L403	1-408-602-21	INDUCTOR 8.2UH	
D403	8-719-911-19	DIODE 1SS119		L407	1-408-163-00	INDUCTOR 5.6MMH	
D404	8-719-100-38	DIODE RD6.2E-B2		<u>TRANSISTOR</u>			
D405	8-719-100-38	DIODE RD6.2E-B2		Q401	8-729-117-54	TRANSISTOR 2SA1175	
D406	8-719-100-38	DIODE RD6.2E-B2		Q402	8-729-101-37	TRANSISTOR 2SC2785TP-F	
D407	8-719-100-38	DIODE RD6.2E-B2		Q403	8-729-117-54	TRANSISTOR 2SA1175	
D408	8-719-911-19	DIODE 1SS119		Q404	8-729-101-37	TRANSISTOR 2SC2785TP-F	
D409	8-719-911-19	DIODE 1SS119		Q405	8-729-117-54	TRANSISTOR 2SA1175	
D410	8-719-911-19	DIODE 1SS119		Q406	8-729-101-37	TRANSISTOR 2SC2785TP-F	
D411	8-719-911-19	DIODE 1SS119		Q407	8-729-117-54	TRANSISTOR 2SA1175	
D412	8-719-911-19	DIODE 1SS119		Q408	8-729-117-54	TRANSISTOR 2SA1175	
D414	8-719-911-19	DIODE 1SS119		Q409	8-729-178-54	TRANSISTOR 2SC2785	
D415	8-719-911-19	DIODE 1SS119		Q410	8-729-117-54	TRANSISTOR 2SA1175	
D416	8-719-911-19	DIODE 1SS119		Q411	8-729-178-54	TRANSISTOR 2SC2785	
D418	8-719-100-38	DIODE RD6.2E-B2		Q412	8-729-178-54	TRANSISTOR 2SC2785	
D419	8-719-100-38	DIODE RD6.2E-B2		Q413	8-729-178-54	TRANSISTOR 2SC2785	
D420	8-719-911-19	DIODE 1SS119		Q414	8-729-117-54	TRANSISTOR 2SA1175	
D422	8-719-100-38	DIODE RD6.2E-B2		Q415	8-729-178-54	TRANSISTOR 2SC2785	
D423	8-719-100-23	DIODE RD4.3E-B2					
D424	8-719-911-19	DIODE 1SS119					
D425	8-719-100-38	DIODE RD6.2E-B2					

The components identified by shading and mark Δ are critical for safety. Replace only with part number specified.

Les composants identifiés par une trame et une marque Δ sont critiques pour la sécurité. Ne les remplacer que par une pièce portant le numéro spécifié.

Q

Ref.No.	Part No.	Description	Remark	Ref.No.	Part No.	Description	Remark
Q416	8-729-178-54	TRANSISTOR 2SC2785		R371	1-249-423-11	CARBON 3.3K 5%	1/4W
Q417	8-729-178-54	TRANSISTOR 2SC2785		R372	1-247-719-11	CARBON 3.3K 5%	1/4W
Q418	8-729-117-54	TRANSISTOR 2SA1175		R373	1-246-537-00	CARBON 470K 5%	1/4W
Q419	8-729-178-54	TRANSISTOR 2SC2785		R374	1-249-437-11	CARBON 47K 5%	1/4W
Q420	8-729-178-54	TRANSISTOR 2SC2785		R377	1-249-424-11	CARBON 3.9K 5%	1/4W
Q421	A 8-729-101-37	TRANSISTOR 2SC2785TP-F		R378	1-249-429-11	CARBON 10K 5%	1/4W
Q422	8-729-178-54	TRANSISTOR 2SC2785		R379	1-247-711-11	CARBON 680 5%	1/4W
Q423	8-729-178-54	TRANSISTOR 2SC2785		R401	1-247-104-00	CARBON 75 5%	1/4W
Q424	8-729-117-54	TRANSISTOR 2SA1175		R402	1-247-713-11	CARBON 1K 5%	1/4W
Q425	8-729-178-54	TRANSISTOR 2SC2785		R403	1-215-468-00	CARBON 91K 5%	1/4W
Q426	8-729-178-54	TRANSISTOR 2SC2785		R404	1-249-418-11	CARBON 1.2K 5%	1/4W
Q429	8-729-178-54	TRANSISTOR 2SC2785		R405	1-249-434-11	CARBON 27K 5%	1/4W
Q430	8-729-117-54	TRANSISTOR 2SA1175		R406	1-249-428-11	CARBON 8.2K 5%	1/4W
Q431	8-729-178-54	TRANSISTOR 2SC2785		R407	1-249-416-11	CARBON 820 5%	1/4W
Q433	8-729-117-54	TRANSISTOR 2SA1175		R408	1-247-104-00	CARBON 75 5%	1/4W
Q434	8-729-117-54	TRANSISTOR 2SA1175		R409	1-247-713-11	CARBON 1K 5%	1/4W
Q435	8-729-117-54	TRANSISTOR 2SA1175		R410	1-215-468-00	CARBON 91K 5%	1/4W
Q442	8-729-178-54	TRANSISTOR 2SC2785		R411	1-249-418-11	CARBON 1.2K 5%	1/4W
Q443	8-729-178-54	TRANSISTOR 2SC2785		R412	1-249-434-11	CARBON 27K 5%	1/4W
Q444	8-729-178-54	TRANSISTOR 2SC2785		R413	1-249-428-11	CARBON 8.2K 5%	1/4W
Q445	8-729-117-54	TRANSISTOR 2SA1175		R414	1-249-416-11	CARBON 820 5%	1/4W
Q446	8-729-117-54	TRANSISTOR 2SA1175		R415	1-247-104-00	CARBON 75 5%	1/4W
Q447	8-729-178-54	TRANSISTOR 2SC2785		R416	1-247-713-11	CARBON 1K 5%	1/4W
Q448	8-729-117-54	TRANSISTOR 2SA1175		R417	1-215-468-00	CARBON 91K 5%	1/4W
Q449	8-729-178-54	TRANSISTOR 2SC2785		R418	1-249-418-11	CARBON 1.2K 5%	1/4W
Q450	8-729-117-54	TRANSISTOR 2SA1175		R419	1-249-434-11	CARBON 27K 5%	1/4W
Q451	8-729-178-54	TRANSISTOR 2SC2785		R420	1-249-428-11	CARBON 8.2K 5%	1/4W
Q452	8-729-117-54	TRANSISTOR 2SA1175		R421	1-249-416-11	CARBON 820 5%	1/4W
Q453	8-729-178-54	TRANSISTOR 2SC2785		R422	1-249-466-11	CARBON 56K 5%	1/4W
Q454	8-729-117-54	TRANSISTOR 2SA1175		R423	1-247-885-00	CARBON 180K 5%	1/4W
Q455	8-729-178-54	TRANSISTOR 2SC2785		R424	1-249-440-11	CARBON 82K 5%	1/4W
Q456	8-729-178-54	TRANSISTOR 2SC2785		R425	1-249-437-11	CARBON 47K 5%	1/4W
Q457	8-729-117-54	TRANSISTOR 2SA1175		R426	1-249-427-11	CARBON 6.8K 5%	1/4W
				R427	1-249-425-11	CARBON 4.7K 5%	1/4W
				R428	1-249-466-11	CARBON 56K 5%	1/4W
				R429	1-247-885-00	CARBON 180K 5%	1/4W
				R430	1-249-440-11	CARBON 82K 5%	1/4W
				R431	1-249-437-11	CARBON 47K 5%	1/4W
				R432	1-249-427-11	CARBON 6.8K 5%	1/4W
				R433	1-249-425-11	CARBON 4.7K 5%	1/4W
				R434	A 1-247-807-31	CARBON 100 5%	1/4W
				R435	1-249-441-11	CARBON 100K 5%	1/4W
				R436	1-246-445-00	CARBON 68 5%	1/4W
				R437	1-247-713-11	CARBON 1K 5%	1/4W
				R438	1-249-421-11	CARBON 2.2K 5%	1/4W
				R439	1-247-725-11	CARBON 10K 5%	1/4W
				R440	1-215-468-00	CARBON 91K 5%	1/4W
				R442	1-249-434-11	CARBON 27K 5%	1/4W
				R443	1-249-428-11	CARBON 8.2K 5%	1/4W
				R444	1-246-445-00	CARBON 68 5%	1/4W
				R445	1-247-713-11	CARBON 1K 5%	1/4W
				R446	1-249-421-11	CARBON 2.2K 5%	1/4W
				R447	1-247-725-11	CARBON 10K 5%	1/4W
R351	1-249-429-11	CARBON	10K 5%	1/4W			
R352	1-249-409-11	CARBON	220 5%	1/4W			
R353	1-249-429-11	CARBON	10K 5%	1/4W			
R354	1-249-409-11	CARBON	220 5%	1/4W			
R355	1-249-405-11	CARBON	100 5%	1/4W			
R356	1-247-711-11	CARBON	680 5%	1/4W			
R357	1-247-711-11	CARBON	680 5%	1/4W			
R358	1-249-415-11	CARBON	680 5%	1/4W			
R359	1-249-415-11	CARBON	680 5%	1/4W			
R361	1-247-711-11	CARBON	680 5%	1/4W			
R362	1-247-711-11	CARBON	680 5%	1/4W			
R364	1-249-415-11	CARBON	680 5%	1/4W			
R365	1-247-711-11	CARBON	680 5%	1/4W			
R366	1-246-457-00	CARBON	220 5%	1/4W			
R367	1-246-457-00	CARBON	220 5%	1/4W			
R368	1-249-429-11	CARBON	10K 5%	1/4W			
R369	1-249-409-11	CARBON	220 5%	1/4W			
R370	1-249-409-11	CARBON	220 5%	1/4W			


RESISTOR


The components identified by shading and mark **A** are critical for safety. Replace only with part number specified.

Les composants identifiés par une trame et une marque **A** sont critiques pour la sécurité. Ne les remplacer que par une pièce portant le numéro spécifié.

Q

Ref.No.	Part No.	Description	Remark	Ref.No.	Part No.	Description	Remark
R448	1-215-468-00	CARBON	91K 5% 1/4W	R666	1-249-412-11	CARBON	390 5% 1/4W
R450	1-249-434-11	CARBON	27K 5% 1/4W	R1401	1-249-421-11	CARBON	2.2K 5% 1/4W
R451	1-249-428-11	CARBON	8.2K 5% 1/4W	R1402	1-249-417-11	CARBON	1K 5% 1/4W
R452	1-246-445-00	CARBON	68 5% 1/4W	R1403	1-249-432-11	CARBON	18K 5% 1/4W
R453	1-247-713-11	CARBON	1K 5% 1/4W	R1404	1-249-424-11	CARBON	3.9K 5% 1/4W
R454	1-249-421-11	CARBON	2.2K 5% 1/4W	R1405	1-249-429-11	CARBON	10K 5% 1/4W
R455	1-247-725-11	CARBON	10K 5% 1/4W	R1406	1-249-423-11	CARBON	3.3K 5% 1/4W
R456	1-215-468-00	CARBON	91K 5% 1/4W	R1413	1-247-720-11	CARBON	3.9K 5% 1/4W
R458	1-249-434-11	CARBON	27K 5% 1/4W	R1414	1-247-708-11	CARBON	470 5% 1/4W
R459	1-249-428-11	CARBON	8.2K 5% 1/4W	R1415	1-247-722-11	CARBON	5.6K 5% 1/4W
R460	1-247-700-11	CARBON	100 5% 1/4W	R1417	1-249-413-11	CARBON	470 5% 1/4W
R461	1-249-421-11	CARBON	2.2K 5% 1/4W	R1419	1-249-419-11	CARBON	1.5K 5% 1/4W
R462	1-249-417-11	CARBON	1K 5% 1/4W	R1420	1-249-425-11	CARBON	4.7K 5% 1/4W
R463	1-249-424-11	CARBON	3.9K 5% 1/4W	R1421	1-249-417-11	CARBON	1K 5% 1/4W
R465	1-249-419-11	CARBON	1.5K 5% 1/4W	R1423	1-249-415-11	CARBON	680 5% 1/4W
R466	1-249-411-11	CARBON	330 5% 1/4W	R1432	1-249-429-11	CARBON	10K 5% 1/4W
R467	1-249-416-11	CARBON	820 5% 1/4W	R1433	1-249-423-11	CARBON	3.3K 5% 1/4W
R468	1-249-419-11	CARBON	1.5K 5% 1/4W	R1434	1-215-438-00	CARBON	5.1K 5% 1/4W
R469	1-249-411-11	CARBON	330 5% 1/4W	R1435	1-249-418-11	CARBON	1.2K 5% 1/4W
R470	1-249-416-11	CARBON	820 5% 1/4W	R1436	1-249-436-11	CARBON	39K 5% 1/4W
R471	1-249-419-11	CARBON	1.5K 5% 1/4W	R1437	1-249-429-11	CARBON	10K 5% 1/4W
R472	1-249-411-11	CARBON	330 5% 1/4W	R1438	1-249-426-11	CARBON	5.6K 5% 1/4W
R473	1-249-416-11	CARBON	820 5% 1/4W	R1439	1-249-425-11	CARBON	4.7K 5% 1/4W
R474	1-249-425-11	CARBON	4.7K 5% 1/4W	R1441	1-249-433-11	CARBON	22K 5% 1/4W
R475	1-249-428-11	CARBON	8.2K 5% 1/4W	R1442	1-215-491-00	CARBON	820K 5% 1/4W
R476	1-249-417-11	CARBON	1K 5% 1/4W	R1443	1-215-491-00	CARBON	820K 5% 1/4W
R477	1-249-425-11	CARBON	4.7K 5% 1/4W	R1444	1-215-491-00	CARBON	820K 5% 1/4W
R478	1-249-425-11	CARBON	4.7K 5% 1/4W	R1445	1-249-436-11	CARBON	39K 5% 1/4W
R479	1-249-425-11	CARBON	4.7K 5% 1/4W	R1446	1-249-435-11	CARBON	33K 5% 1/4W
R480	1-246-445-00	CARBON	68 5% 1/4W	R1447	1-246-527-00	CARBON	180K 5% 1/4W
R481	1-247-717-11	CARBON	2.2K 5% 1/4W	R1448	1-249-426-11	CARBON	5.6K 5% 1/4W
R482	1-249-421-11	CARBON	2.2K 5% 1/4W	R1449	1-249-421-11	CARBON	2.2K 5% 1/4W
R483	1-249-405-11	CARBON	100 5% 1/4W	R1451	1-249-417-11	CARBON	1K 5% 1/4W
R484	1-249-429-11	CARBON	10K 5% 1/4W	R1452	1-249-423-11	CARBON	3.3K 5% 1/4W
R485	1-215-468-00	CARBON	91K 5% 1/4W	R1453	1-249-417-11	CARBON	1K 5% 1/4W
R486	1-249-434-11	CARBON	27K 5% 1/4W	R1454	1-249-423-11	CARBON	3.3K 5% 1/4W
R487	1-249-428-11	CARBON	8.2K 5% 1/4W	R1455	1-249-421-11	CARBON	2.2K 5% 1/4W
R488	1-246-457-00	CARBON	220 5% 1/4W	R1456	1-249-413-11	CARBON	470 5% 1/4W
R489	1-247-721-11	CARBON	4.7K 5% 1/4W	R1457	1-249-421-11	CARBON	2.2K 5% 1/4W
R490	1-249-419-11	CARBON	1.5K 5% 1/4W	R1458	1-249-401-11	CARBON	47 5% 1/4W
R491	1-249-421-11	CARBON	2.2K 5% 1/4W	R1459	1-249-414-11	CARBON	560 5% 1/4W
R492	1-249-416-11	CARBON	820 5% 1/4W	R1460	1-249-397-11	CARBON	22 5% 1/4W
R493	1-247-819-31	CARBON	330 5% 1/4W	R1461	1-249-421-11	CARBON	2.2K 5% 1/4W
R494	1-249-425-11	CARBON	4.7K 5% 1/4W	R1462	1-249-413-11	CARBON	470 5% 1/4W
R495	1-249-433-11	CARBON	22K 5% 1/4W	R1463	1-249-421-11	CARBON	2.2K 5% 1/4W
R496	1-249-437-11	CARBON	47K 5% 1/4W	R1464	1-249-401-11	CARBON	47 5% 1/4W
R497	1-249-429-11	CARBON	10K 5% 1/4W	R1465	1-249-414-11	CARBON	560 5% 1/4W
R499	1-249-411-11	CARBON	330 5% 1/4W	R1466	1-249-397-11	CARBON	22 5% 1/4W
R661	1-247-703-11	CARBON	180 5% 1/4W	R1467	1-249-421-11	CARBON	2.2K 5% 1/4W
R662	1-247-703-11	CARBON	180 5% 1/4W	R1468	1-249-413-11	CARBON	470 5% 1/4W
R663	1-247-703-11	CARBON	180 5% 1/4W	R1469	1-249-421-11	CARBON	2.2K 5% 1/4W
R664	1-249-412-11	CARBON	390 5% 1/4W	R1470	1-249-401-11	CARBON	47 5% 1/4W
R665	1-249-412-11	CARBON	390 5% 1/4W	R1471	1-249-414-11	CARBON	560 5% 1/4W

The components identified by shading and mark  are critical for safety. Replace only with part number specified.

Les composants identifiés par une trame et une marque  sont critiques pour la sécurité. Ne les remplacer que par une pièce portant le numéro spécifié.

Q C1

Ref.No.	Part No.	Description	Remark	Ref.No.	Part No.	Description	Remark
R1472	1-249-397-11	CARBON 22 5% 1/4W		C712	1-129-737-00	FILM 0.047MF 20%	630V
R1473	1-249-428-11	CARBON 8.2K 5% 1/4W		C713	1-123-356-00	ELECT 10MF 20%	50V
R1474	1-249-427-11	CARBON 6.8K 5% 1/4W		C714	1-102-249-00	CERAMIC 680PF 20%	2KV
R1475	1-249-429-11	CARBON 10K 5% 1/4W		C715	1-102-219-00	CERAMIC 680PF 10%	1KV
R1476	1-249-409-11	CARBON 220 5% 1/4W		C716	1-161-731-00	CERAMIC 0.001MF 10%	2KV
R1477	1-249-409-11	CARBON 220 5% 1/4W		<u>DIODE</u>			
R1478	1-249-409-11	CARBON 220 5% 1/4W		D701	8-719-300-76	DIODE RH1A	
R1479	1-249-425-11	CARBON 4.7K 5% 1/4W		D702	8-719-300-76	DIODE RH1A	
R1480	1-249-425-11	CARBON 4.7K 5% 1/4W		D703	8-719-300-76	DIODE RH1A	
R1481	1-249-417-11	CARBON 1K 5% 1/4W		<u>COIL</u>			
R1482	1-249-429-11	CARBON 10K 5% 1/4W		L701	1-407-701-00	INDUCTOR 47UH	
R1483	1-249-429-11	CARBON 10K 5% 1/4W		L702	1-407-701-00	INDUCTOR 47UH	
R1484	1-247-725-11	CARBON 10K 5% 1/4W		L703	1-407-701-00	INDUCTOR 47UH	
R1485	1-246-457-00	CARBON 220 5% 1/4W		L704	1-407-701-00	INDUCTOR 47UH	
R1486	1-247-725-11	CARBON 10K 5% 1/4W		<u>TRANSISTOR</u>			
R1487	1-246-457-00	CARBON 220 5% 1/4W		Q701	8-729-178-54	TRANSISTOR 2SC2785	
R1488	1-247-725-11	CARBON 10K 5% 1/4W		Q702	8-729-168-82	TRANSISTOR 2SC2688	
R1489	1-246-457-00	CARBON 220 5% 1/4W			4-370-970-01	SPACER, TR; Q702	
R1490	1-247-725-11	CARBON 10K 5% 1/4W		Q703	8-729-178-54	TRANSISTOR 2SC2785	
R1492	1-246-457-00	CARBON 220 5% 1/4W		Q704	8-729-168-82	TRANSISTOR 2SC2688	
<u>VARIABLE RESISTOR</u>					4-370-970-01	SPACER, TR; Q704	
RV401	1-226-853-00	RES, ADJ, CARBON 47K		Q705	8-729-178-54	TRANSISTOR 2SC2785	
RV402	1-226-852-00	RES, ADJ, CARBON 22K		Q706	8-729-168-82	TRANSISTOR 2SC2688	
RV403	1-226-852-00	RES, ADJ, CARBON 22K			4-370-970-01	SPACER, TR; Q706	
RV404	1-226-852-00	RES, ADJ, CARBON 22K		<u>RESISTOR</u>			
RV405	1-226-852-00	RES, ADJ, CARBON 22K		R701	1-249-421-11	CARBON 2.2K 5%	1/4W
<u>SWITCH</u>				R702	1-249-413-11	CARBON 470 5%	1/4W
S401	1-553-725-00	SWITCH, SLIDE		R703	1-249-413-11	CARBON 470 5%	1/4W
S402	1-553-725-00	SWITCH, SLIDE		R704	1-247-793-00	CARBON 27 5%	1/4W
S403	1-553-725-00	SWITCH, SLIDE		R705	1-206-743-00	METAL OXIDE 5.6K 5%	3W F
*****				R706	1-249-408-11	CARBON 180 5%	1/4W
*A-1330-541-A	C1 BOARD, COMPLETE			R708	1-247-838-00	CARBON 2K 5%	1/4W
	*****			R709	1-249-421-11	CARBON 2.2K 5%	1/4W
1-526-645-00	SOCKET, CRT			R710	1-249-413-11	CARBON 470 5%	1/4W
<u>CONNECTOR</u>				R711	1-249-413-11	CARBON 470 5%	1/4W
C1	*1-508-765-00	3P PLUG (M)		R712	1-247-793-00	CARBON 27 5%	1/4W
C2	*1-508-786-00	2P PLUG (M)		R713	1-206-743-00	METAL OXIDE 5.6K 5%	3W F
<u>CAPACITOR</u>				R714	1-249-408-11	CARBON 180 5%	1/4W
C701	1-123-356-00	ELECT 10MF 20%	25V	R716	1-247-838-00	CARBON 2K 5%	1/4W
C703	1-102-116-00	CERAMIC 680PF 10%	50V	R717	1-249-421-11	CARBON 2.2K 5%	1/4W
C704	1-124-039-51	ELECT 10MF 20%	16V	R718	1-249-413-11	CARBON 470 5%	1/4W
C705	1-102-115-00	CERAMIC 560PF 10%	50V	R719	1-249-413-11	CARBON 470 5%	1/4W
C706	1-124-039-51	ELECT 10MF 20%	16V	R720	1-247-793-00	CARBON 27 5%	1/4W
C707	1-102-116-00	CERAMIC 680PF 10%	50V	R721	1-206-743-00	METAL OXIDE 5.6K 5%	3W F
C708	1-124-039-51	ELECT 10MF 20%	16V	R722	1-249-408-11	CARBON 180 5%	1/4W
C709	1-121-759-00	ELECT 4.7MF 250V		R723	1-249-391-11	CARBON 6.8 5%	1/6W
C710	1-106-387-00	MYLAR 0.1MF 10%	200V	R724	1-247-838-00	CARBON 2K 5%	1/4W
C711	1-102-038-00	CERAMIC 0.001MF 500V		R725	1-247-694-11	CARBON 33 5%	1/4W
				R726	1-244-925-00	CARBON 150K 5%	1/2W
				R727	1-202-824-00	SOL ID 3.3K 10%	1/2W

C1 C2 D

Ref.No.	Part No.	Description	Remark	Ref.No.	Part No.	Description	Remark
R728	1-202-824-00	SOLID 3.3K 10% 1/2W		C509	1-123-380-00	ELECT 1MF 20% 50V	
R729	1-202-824-00	SOLID 3.3K 10% 1/2W		C511	1-123-356-00	ELECT 10MF 20% 25V	
R730	1-202-815-11	SOLID 47K 10% 1/2W		C512	1-123-380-00	ELECT 1MF 20% 50V	
R731	1-202-719-00	SOLID 1M 10% 1/2W		C513	1-130-487-00	MYLAR 0.022MF 5% 50V	
R732	1-202-722-00	SOLID 1.8M 10% 1/2W		C514	1-130-491-00	MYLAR 0.047MF 5% 50V	
R733	1-202-719-00	SOLID 1M 10% 1/2W		C515	1-124-514-11	ELECT 100MF 20% 50V	
R734	1-202-824-00	SOLID 3.3K 10% 1/2W		C516	1-102-228-00	CERAMIC 470PF 10% 500V	
R735	1-202-720-00	SOLID 1.2M 10% 1/2W		C517	1-106-375-12	MYLAR 0.022MF 10% 100V	
R736	1-202-834-00	SOLID 27K 10% 1/2W		C518	1-123-356-00	ELECT 10MF 20% 25V	
R737	1-202-549-00	SOLID 100 5% 1/2W		C519	1-123-228-00	ELECT 1MF 20% 50V	
R738	1-202-842-11	SOLID 220K 10% 1/2W		C520	1-123-330-00	ELECT 22MF 20% 25V	
<u>VARIABLE RESISTOR</u>				C521	1-123-336-00	ELECT 470MF 20% 25V	
RV701	1-228-719-00	RES, ADJ, CERAMIC CARBON 470		C522	1-123-330-00	ELECT 22MF 20% 16V	
RV702	1-228-723-00	RES, ADJ, CERAMIC CARBON 4.7K		C523	1-123-330-00	ELECT 22MF 20% 16V	
RV703	1-228-719-00	RES, ADJ, CERAMIC CARBON 470		C524	1-123-380-00	ELECT 1MF 20% 50V	
RV704	1-228-723-00	RES, ADJ, CERAMIC CARBON 4.7K		C525	1-130-485-00	MYLAR 0.015MF 5% 50V	
RV705	1-228-719-00	RES, ADJ, CERAMIC CARBON 470		C526	1-131-356-00	TANTALUM 3.3MF 10% 25V	
RV706	1-228-723-00	RES, ADJ, CERAMIC CARBON 4.7K		C527	1-126-103-11	ELECT 470MF 20% 16V	
RV707	1-228-719-00	RES, ADJ, CERAMIC CARBON 470		C528	1-123-382-00	ELECT 3.3MF 20% 50V	
RV708	1-228-723-00	RES, ADJ, CERAMIC CARBON 4.7K		C529	1-123-228-00	ELECT 1MF 20% 50V	
RV709	1-228-719-00	RES, ADJ, CERAMIC CARBON 470		C530	1-130-483-00	MYLAR 0.01MF 5% 50V	
RV710	1-228-723-00	RES, ADJ, CERAMIC CARBON 4.7K		C531	1-130-491-00	MYLAR 0.047MF 5% 50V	
RV711	1-228-719-00	RES, ADJ, CERAMIC CARBON 470		C532	1-123-380-00	ELECT 1MF 20% 50V	
RV712	1-228-723-00	RES, ADJ, CERAMIC CARBON 4.7K		C533	1-123-356-00	ELECT 10MF 20% 16V	
RV713	1-226-114-00	RES, ADJ, METAL GLAZE 2.2M		C534	1-106-343-00	MYLAR 0.001MF 5% 50V	
RV714	1-226-063-00	RES, ADJ, CARBON 2.2M		C535	1-123-333-00	ELECT 100MF 20% 25V	
*****				C536	1-123-336-00	ELECT 470MF 20% 25V	
*1-613-038-11 C2 BOARD				C537	1-123-381-00	ELECT 2.2MF 20% 50V	
*****				C538	1-102-973-00	CERAMIC 100PF 5% 50V	
<u>CONNECTOR</u>				C751	1-123-380-00	ELECT 1MF 20% 50V	
C4	*1-560-129-00	PLUG, CONNECTOR (2.5MM) 9P		C752	1-123-381-00	ELECT 2.2MF 20% 50V	
C5	*1-560-129-00	PLUG, CONNECTOR (2.5MM) 9P		C753	1-124-791-11	ELECT 1MF 20% 50V	
<u>SWITCH</u>				C755	1-130-495-00	MYLAR 0.1MF 5% 50V	
S701	1-554-974-11	SWITCH, SLIDE		C756	1-124-791-11	ELECT 1MF 20% 50V	
*****				C757	1-162-117-00	CERAMIC 100PF 10% 500V	
*A-1345-472-A D BOARD, COMPLETE				C758	1-108-824-00	MYLAR 0.47MF 5% 50V	
*****				C759	1-123-356-00	ELECT 10MF 20% 25V	
3-701-833-01	HEAD, WASHER, TAPPING SCREW			C760	1-124-126-00	ELECT 47MF 20% 25V	
<u>CAPACITOR</u>				C761	1-123-382-00	ELECT 3.3MF 20% 50V	
C503	1-102-121-00	CERAMIC 0.0022MF 10% 50V		C762	1-123-330-00	ELECT 22MF 20% 25V	
C504	1-106-379-12	MYLAR 0.033MF 10% 100V		C764	1-123-334-00	ELECT 220MF 20% 25V	
C505	1-123-380-00	ELECT 1MF 20% 50V		C766	1-123-380-00	ELECT 1MF 20% 50V	
C506	1-130-485-00	MYLAR 0.015MF 5% 50V		C767	1-123-380-00	ELECT 1MF 20% 50V	
C507	1-123-380-00	ELECT 1MF 20% 50V		C768	1-106-220-00	MYLAR 0.1MF 10% 100V	
C508	1-136-173-00	FILM 0.47MF 5% 50V		C769	1-124-126-00	ELECT 47MF 20% 25V	
				C801	1-136-173-00	FILM 0.47MF 5% 50V	
				C802	1-123-381-00	ELECT 2.2MF 20% 50V	
				C803	1-101-888-00	CERAMIC 68PF 5% 50V	
				C804	1-123-380-00	ELECT 1MF 20% 50V	
				C805	1-101-361-00	CERAMIC 150PF 5% 50V	
				C806	1-106-343-00	MYLAR 0.001MF 5% 50V	
				C807	1-101-361-00	CERAMIC 150PF 5% 50V	
				C808	1-123-369-00	ELECT 4.7MF 20% 25V	

D

Ref.No.	Part No.	Description	Remark	Ref.No.	Part No.	Description	Remark	
C810	1-106-359-00	MYLAR	0.0047MF 5%	50V	C873	1-126-103-11	ELECT 470MF 20%	16V
C811	1-106-367-00	MYLAR	0.01MF 10%	100V	C874	1-106-367-00	MYLAR 0.01MF 10%	100V
C813	1-106-375-12	MYLAR	0.022MF 10%	100V	C876	1-102-816-00	CERAMIC 120PF 5%	50V
C814	1-106-351-00	MYLAR	0.0022MF 10%	100V	C877	1-101-361-00	CERAMIC 150PF 5%	50V
C815	1-129-794-00	FILM	0.0033MF 5%	100V	C879	1-101-361-00	CERAMIC 150PF 5%	50V
C816	1-123-381-00	ELECT	2.2MF 20%	50V	C880	1-101-888-00	CERAMIC 68PF 5%	50V
C817	1-123-381-00	ELECT	2.2MF 20%	50V	C881	1-102-820-00	CERAMIC 330PF 5%	50V
C818	1-123-330-00	ELECT	22MF 20%	25V	C883	1-108-818-11	MYLAR 0.15MF 5%	50V
C819	1-123-330-00	ELECT	22MF 20%	25V	C884	1-123-356-00	ELECT 10MF 20%	25V
C821	1-123-381-00	ELECT	2.2MF 20%	50V	C885	1-130-493-00	MYLAR 0.068MF 5%	50V
C822	1-123-380-00	ELECT	1MF 20%	50V	C886	1-106-351-00	MYLAR 0.0022MF 5%	50V
C823	1-123-356-00	ELECT	10MF 20%	16V	C887	1-123-332-00	ELECT 47MF 20%	16V
C824	1-123-356-00	ELECT	10MF 20%	50V	C888	1-126-103-11	ELECT 470MF 20%	16V
C825	1-123-322-00	ELECT	330MF 20%	16V	C889	1-108-818-11	MYLAR 0.15MF 5%	50V
C827	1-123-379-00	ELECT	0.47MF 20%	50V	C895	1-102-512-00	CERAMIC 16PF 5%	50V
C828	1-102-820-00	CERAMIC	330PF 5%	50V	<u>CONNECTOR</u>			
C829	1-106-385-00	MYLAR	0.056MF 10%	200V	D1	*1-560-126-00	PLUG, CONNECTOR (2.5MM) 6P	
C830	1-102-030-00	CERAMIC	330PF 10%	500V	D2	*1-560-128-00	PLUG, CONNECTOR (2.5MM PITCH)	
C832	1-161-961-11	CERAMIC	0.0022MF 10%	3KV	D3	*1-560-125-00	PLUG, CONNECTOR (2.5MM) 5P	
C833	1-106-387-00	MYLAR	0.068MF 10%	200V	D4	*1-508-765-00	3P PLUG (M)	
C834	1-136-064-11	FILM	0.002MF 3%	2KV	D5	*1-508-765-00	3P PLUG (M)	
C835	1-136-079-11	FILM	0.01MF 3%	2KV	D6	*1-564-038-00	CONNECTOR PLUG, DY (MINI) 6P	
C836	1-136-186-00	FILM	2.4MF 5%	200V	D7	*1-508-766-00	4P PLUG (M)	
C837	1-106-387-00	MYLAR	0.1MF 10%	200V	D8	*1-560-290-00	PLUG, CONNECTOR (2.5MM PITCH)	
C838	1-136-112-00	FILM	1.4MF 5%	200V	D9	*1-560-124-00	PLUG, CONNECTOR (2.5MM) 4P	
C839	1-130-566-00	MYLAR	2.2MF 10%	250V	D10	*1-560-123-00	PLUG, CONNECTOR (2.5MM PITCH)	
C840	1-136-123-00	FILM	0.51MF 5%	400V	D11	*1-560-123-00	PLUG, CONNECTOR (2.5MM) 3P	
C841	1-123-267-00	ELECT	2.2MF 20%	160V	D12	*1-560-123-00	PLUG, CONNECTOR (2.5MM) 3P	
C842	1-106-357-00	MYLAR	0.0039MF 10%	100V	<u>DIODE</u>			
C843	1-123-380-00	ELECT	1MF 20%	50V	D501	8-719-100-23	DIODE RD4.3E-B2	
C844	1-123-322-00	ELECT	330MF 20%	16V	D502	8-719-911-19	DIODE 1SS119	
C846	1-123-347-00	ELECT	330MF 20%	35V	D504	8-719-911-19	DIODE 1SS119	
C849	1-130-495-00	MYLAR	0.1MF 5%	50V	D505	8-719-911-19	DIODE 1SS119	
C850	1-129-706-00	FILM	0.0022MF 10%	630V	D506	8-719-911-55	DIODE U05G	
C851	1-106-367-00	MYLAR	0.01MF 10%	200V	D507	8-719-911-19	DIODE 1SS119	
C852	1-123-337-00	ELECT	1000MF 20%	25V	D509	8-719-911-19	DIODE 1SS119	
C853	1-102-212-00	CERAMIC	820PF 10%	500V	D751	8-719-911-19	DIODE 1SS119	
C854	1-121-999-00	ELECT	10MF 160V		D752	8-719-911-19	DIODE 1SS119	
C855	1-123-024-00	ELECT	33MF 160V		D753	8-719-911-19	DIODE 1SS119	
C856	1-106-383-00	MYLAR	0.047MF 10%	200V	D754	8-719-911-19	DIODE 1SS119	
C857	1-102-223-00	CERAMIC	0.0047MF 10%	2KV	D801	8-719-911-55	DIODE U05G	
C858	1-102-971-00	CERAMIC	82PF 5%	50V	D802	8-719-911-19	DIODE 1SS119	
C859	1-123-369-00	ELECT	4.7MF 20%	50V	D803	8-719-100-30	DIODE RD5.1E-B2	
C860	1-123-332-00	ELECT	47MF 20%	25V	D804	8-719-100-80	DIODE RD20E-B2	
C861	1-136-065-11	FILM	0.0027MF 3%	2KV	D805	8-719-305-15	DIODE GH3F	
C862	1-136-066-11	FILM	0.003MF 3%	2KV	D806	8-719-928-08	DIODE ERD28-08S	
C863	1-136-064-11	FILM	0.002MF 3%	2KV	D807	8-719-918-77	DIODE V19G	
C865	1-106-367-00	MYLAR	0.01MF 10%	200V	D808	8-719-918-77	DIODE V19G	
C866	1-101-361-00	CERAMIC	150PF 5%	50V	D809	8-719-300-76	DIODE RH1A	
C868	1-123-356-00	ELECT	10MF 20%	16V	D810	8-719-903-09	DIODE V30N	
C870	1-123-332-00	ELECT	47MF 20%	25V	D811	8-719-911-19	DIODE 1SS119	
C871	1-123-380-00	ELECT	1MF 20%	50V				
C872	1-106-367-00	MYLAR	0.01MF 10%	100V				

The components identified by shading and mark Δ are critical for safety. Replace only with part number specified.

Les composants identifiés par une trame et une marque Δ sont critiques pour la sécurité. Ne les remplacer que par une pièce portant le numéro spécifié.

D

Ref.No.	Part No.	Description	Remark	Ref.No.	Part No.	Description	Remark
D812	8-719-300-76	DIODE RH1A		Q755	8-729-378-91	TRANSISTOR 2SD789	
D813	8-719-300-76	DIODE RH1A		Q756	8-729-378-91	TRANSISTOR 2SD789	
D814	8-719-911-19	DIODE 1SS119		Q757	A 8-729-378-91	TRANSISTOR 2SD789-3	
D815	8-719-911-19	DIODE 1SS119		Q758	A 8-729-374-01	TRANSISTOR 2SB740-2	
D816	8-719-911-19	DIODE 1SS119		Q760	8-729-178-54	TRANSISTOR 2SC2785	
D817	8-719-100-65	DIODE RD12E-B2		Q801	8-729-178-54	TRANSISTOR 2SC2785	
D818	8-719-911-55	DIODE U05G		Q802	8-729-117-54	TRANSISTOR 2SA1175	
		<u>IC</u>		Q803	8-729-178-54	TRANSISTOR 2SC2785	
IC501	8-759-100-60	IC UPC1377C		Q804	8-729-168-82	TRANSISTOR 2SC2688	
IC502	8-759-979-16	IC CX7916		Q805	8-729-800-87	TRANSISTOR 2SD1398	
IC503	8-759-105-82	IC UPC1378H-P			*4-363-404-00	HOLDER, IC; Q805	
IC504	8-759-145-58	IC UPC4558C			4-363-414-00	SPACER, MICA; Q805	
IC801	8-759-345-38	IC HD14538BP		Q806	A 8-729-313-82	TRANSISTOR 2SD1138-C	
IC802	8-759-240-11	IC TC4011BP		Q807	8-729-900-36	TRANSISTOR DTC124ES	
IC803	8-759-145-58	IC UPC4558C		Q808	8-729-900-36	TRANSISTOR DTC124ES	
IC804	8-759-905-39	IC TDA1082		Q810	8-729-900-36	TRANSISTOR DTC124ES	
IC805	8-759-700-06	IC NJM7812B		Q811	8-729-117-54	TRANSISTOR 2SA1175	
	*4-323-833-00	HEAT SINK, PIN OUT; IC805		Q812	8-729-178-54	TRANSISTOR 2SC2785	
		<u>COIL</u>		Q813	8-729-900-36	TRANSISTOR DTC124ES	
L501	1-408-231-00	INDUCTOR	1MMH	Q816	8-729-178-54	TRANSISTOR 2SC2785	
L752	1-407-508-00	INDUCTOR	22MMH	Q817	8-729-117-54	TRANSISTOR 2SA1175	
L753	1-408-247-00	INDUCTOR	33MMH	Q818	8-729-117-54	TRANSISTOR 2SA1175	
L802	1-408-349-00	COIL, CHOKE		Q819	8-729-178-54	TRANSISTOR 2SC2785	
L803	1-408-238-00	INDUCTOR	3.9MMH	Q820	8-729-178-54	TRANSISTOR 2SC2785	
L804	A 1-459-241-12	COIL, HORIZONTAL LINIALITY		Q821	8-729-178-54	TRANSISTOR 2SC2785	
L805	A 1-459-568-11	COIL, CHOKE 980UH		Q822	8-729-178-54	TRANSISTOR 2SC2785	
L806	1-407-365-00	COIL, CHOKE		Q823	8-729-178-54	TRANSISTOR 2SC2785	
L807	1-459-104-00	COIL, DUST CORE		Q824	8-729-178-54	TRANSISTOR 2SC2785	
L808	1-407-364-00	COIL, SPOOK CHOKE 3.3UH				<u>RESISTOR</u>	
L809	1-407-841-00	COIL 15UH		R504	1-249-425-11	CARBON	4.7K 5% 1/4W
L810	1-408-074-00	INDUCTOR	56UH	R505	1-249-436-11	CARBON	39K 5% 1/4W
L811	1-459-155-00	COIL (WITH CORE) 45UH		R506	1-249-435-11	CARBON	33K 5% 1/4W
L812	1-459-115-00	COIL, DCC-H		R507	1-215-455-00	METAL	27K 1% 1/6W
L814	1-407-841-00	COIL 15UH		R508	1-249-418-11	CARBON	1.2K 5% 1/4W
L816	1-408-247-00	INDUCTOR	33MMH	R509	1-215-473-00	METAL	150K 1% 1/6W
		<u>TRANSISTOR</u>		R510	1-215-461-00	METAL	47K 1% 1/6W
Q502	8-729-900-36	TRANSISTOR DTC124ES		R513	1-215-479-00	METAL	270K 1% 1/6W
Q503	8-729-900-36	TRANSISTOR DTC124ES		R514	1-215-463-00	METAL	56K 1% 1/6W
Q504	8-729-900-36	TRANSISTOR DTC124ES		R515	1-215-410-00	CARBON	360 5% 1/4W
Q505	8-729-900-63	TRANSISTOR DTA124ES		R516	1-249-415-11	CARBON	680 5% 1/4W
Q507	8-729-117-54	TRANSISTOR 2SA1175		R517	1-215-418-00	CARBON	750 5% 1/4W
Q508	8-729-178-54	TRANSISTOR 2SC2785		R518	1-249-409-11	CARBON	220 5% 1/4W
Q509	8-729-900-36	TRANSISTOR DTC124ES		R519	1-249-441-11	CARBON	100K 5% 1/4W
Q510	8-723-305-00	TRANSISTOR 2SK43-5		R520	1-249-425-11	CARBON	4.7K 5% 1/4W
Q751	8-729-178-54	TRANSISTOR 2SC2785		R521	1-215-476-00	CARBON	200K 5% 1/4W
Q752	8-729-313-42	TRANSISTOR 2SD1134		R522	1-215-458-00	METAL	36K 1% 1/6W
Q753	8-729-306-92	TRANSISTOR 2SD669A		R524	1-215-432-00	CARBON	3K 5% 1/4W
	*4-329-153-00	HEAT SINK, V OUT; Q753		R525	1-249-430-11	CARBON	12K 5% 1/4W
Q754	8-729-304-92	TRANSISTOR 2SB649A		R526	1-215-436-00	CARBON	4.3K 5% 1/4W
	*4-329-153-00	HEAT SINK, V OUT; Q754		R527	1-249-433-11	CARBON	22K 5% 1/4W
				R528	A 1-215-373-31	METAL	10K 1% 1/6W
				R529	1-215-866-11	METAL OXIDE	330 5% 1W F

The components identified by shading and mark **A** are critical for safety. Replace only with part number specified.

Les composants identifiés par une trame et une marque **A** sont critiques pour la sécurité. Ne les remplacer que par une pièce portant le numéro spécifié.

D

Ref.No.	Part No.	Description	Remark	Ref.No.	Part No.	Description	Remark
R530	1-215-866-11	METAL OXIDE		R593	1-249-413-11	CARBON	
R531	1-215-464-00	CARBON		R594	1-249-417-11	CARBON	
R532	1-215-460-00	CARBON		R595	1-249-417-11	CARBON	
R533	1-249-442-11	CARBON		R596	1-249-409-11	CARBON	
R534	1-249-442-11	CARBON		R597	1-249-417-11	CARBON	
R542	1-212-366-00	METAL OXIDE		R751	1-215-464-00	CARBON	
R544	1-247-746-11	CARBON		R753	1-249-439-11	CARBON	
R545	1-249-420-11	CARBON		R754	1-249-432-11	CARBON	
R546	1-249-427-11	CARBON		R755	1-249-417-11	CARBON	
R547	1-249-417-11	CARBON		R756	1-249-414-11	CARBON	
R548	1-249-426-11	CARBON		R757	1-249-417-11	CARBON	
R549	1-249-429-11	CARBON		R758	1-249-411-11	CARBON	
R550	1-215-468-00	CARBON		R760	1-249-442-11	CARBON	
R551	1-249-437-11	CARBON		R761	1-249-417-11	CARBON	
R552	1-249-428-11	CARBON		R762	1-249-415-11	CARBON	
R553	1-249-425-11	CARBON		R763	1-215-476-00	CARBON	
R554	1-215-476-00	CARBON		R764	1-215-436-00	CARBON	
R555	1-249-426-11	CARBON		R765	1-213-147-00	METAL OXIDE	
R556	1-249-431-11	CARBON		R766	1-247-802-31	CARBON	
R558	1-249-435-11	CARBON		R767	1-249-405-11	CARBON	
R559	1-249-429-11	CARBON		R768	1-249-430-11	CARBON	
R560	1-249-429-11	CARBON		R769	1-247-021-00	CARBON	
R561	1-215-466-00	CARBON		R770	1-247-021-00	CARBON	
R562	1-249-439-11	CARBON		R771	1-215-464-00	CARBON	
R563	1-249-439-11	CARBON		R772	1-215-460-00	CARBON	
R564	1-215-479-00	CARBON		R773	1-249-442-11	CARBON	
R565	1-249-429-11	CARBON		R774	1-249-410-11	CARBON	
R566	1-215-493-00	METAL		R775	1-249-442-11	CARBON	
R567	1-249-440-11	CARBON		R776	1-249-411-11	CARBON	
R568	1-249-405-11	CARBON		R777	1-249-414-11	CARBON	
R569	1-249-439-11	CARBON		R778	1-249-439-11	CARBON	
R570	1-215-460-00	CARBON		R779	1-249-429-11	CARBON	
R571	1-249-417-11	CARBON		R780	1-249-418-11	CARBON	
R572	1-249-417-11	CARBON		R781	1-215-406-00	CARBON	
R573	1-247-881-00	CARBON		R782	1-215-412-00	CARBON	
R574	1-249-438-11	CARBON		R783	1-249-410-11	CARBON	
R575	1-249-426-11	CARBON		R784	1-249-427-11	CARBON	
R576	1-249-421-11	CARBON		R785	1-247-021-11	CARBON	
R577	1-249-409-11	CARBON		R786	1-247-021-11	CARBON	
R578	1-215-479-00	CARBON		R787	1-247-881-00	CARBON	
R579	1-249-441-11	CARBON		R788	1-249-441-11	CARBON	
R580	1-249-417-11	CARBON		R789	1-249-418-11	CARBON	
R581	1-249-417-11	CARBON		R790	1-247-001-11	CARBON	
R582	1-249-426-11	CARBON		R801	1-249-423-11	CARBON	
R583	1-215-482-00	CARBON		R802	1-249-432-11	CARBON	
R584	1-249-437-11	CARBON		R803	1-247-881-00	CARBON	
R585	1-249-399-11	CARBON		R804	1-249-435-11	CARBON	
R586	1-249-431-11	CARBON		R805	1-249-419-11	CARBON	
R587	1-249-417-11	CARBON		R806	1-249-421-11	CARBON	
R589	1-249-417-11	CARBON		R807	1-215-484-00	CARBON	
R590	1-215-493-00	CARBON		R808	1-249-434-11	CARBON	
R591	1-215-476-00	CARBON		R809	1-249-419-11	CARBON	
R592	1-212-364-00	METAL OXIDE		R810	1-249-428-11	CARBON	

The components identified by shading and mark Δ are critical for safety. Replace only with part number specified.

Les composants identifiés par une trame et une marque Δ sont critiques pour la sécurité. Ne les remplacer que par une pièce portant le numéro spécifié.



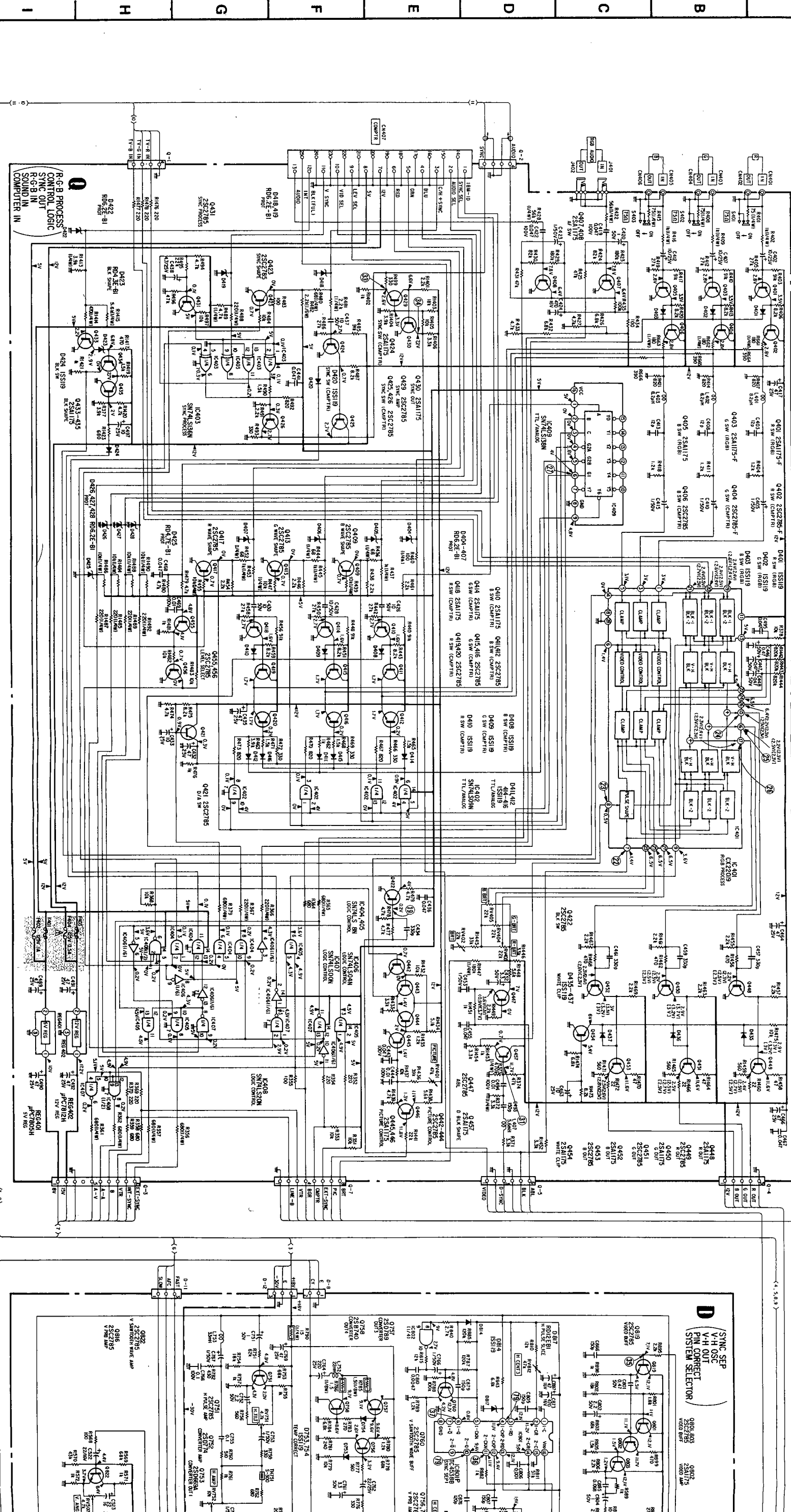
Ref.No.	Part No.	Description	Remark	Ref.No.	Part No.	Description	Remark
R811	1-215-462-00	METAL	51K 1% 1/6W	R865	1-247-721-11	CARBON	4.7K 5% 1/4W
R812	1-249-438-11	CARBON	56K 5% 1/4W	R866	1-247-614-00	CARBON	3.3K 5% 1/8W
R813	1-249-414-11	CARBON	560 5% 1/4W	R867	1-213-143-61	METAL OXIDE	1K 5% 1W F
R814	1-249-426-11	CARBON	5.6K 5% 1/4W	R868	1-213-147-00	METAL OXIDE	2.2K 5% 1W F
R815	1-249-430-11	CARBON	12K 5% 1/4W	R869	1-213-127-00	METAL OXIDE	47 5% 1W F
R816	1-249-405-11	CARBON	100 5% 1/4W	R870	1-249-435-11	CARBON	33K 5% 1/4W
R817	1-249-440-11	CARBON	82K 5% 1/4W	R871	1-249-421-11	CARBON	2.2K 5% 1/4W
R818	1-215-458-00	CARBON	36K 5% 1/4W	R872	1-249-440-11	CARBON	82K 5% 1/4W
R819	1-249-430-11	CARBON	12K 5% 1/4W	R873	1-249-429-11	CARBON	10K 5% 1/4W
R820	1-249-440-11	CARBON	82K 5% 1/4W	R874	1-249-434-11	CARBON	27K 5% 1/4W
R821	1-249-441-11	CARBON	100K 5% 1/4W	R875	1-249-423-11	CARBON	3.3K 5% 1/4W
R822	1-249-441-11	CARBON	100K 5% 1/4W	R876	1-212-364-00	METAL OXIDE	2.2 5% 1W F
R823	1-249-424-11	CARBON	3.9K 5% 1/4W	R877	1-215-464-00	CARBON	62K 5% 1/4W
R824	1-249-418-11	CARBON	1.2K 5% 1/4W	R878	1-215-484-00	CARBON	430K 5% 1/4W
R825	1-249-429-11	CARBON	10K 5% 1/4W	R879	1-249-422-11	CARBON	2.7K 5% 1/4W
R826	1-215-473-00	METAL	150K 1% 1/6W	R880	1-249-421-11	CARBON	2.2K 5% 1/4W
R827	1-215-447-00	METAL	12K 1% 1/6W	R881	1-249-429-11	CARBON	10K 5% 1/4W
R828	1-215-441-00	METAL	6.8K 1% 1/6W	R882	1-249-417-11	CARBON	1K 5% 1/4W
R829	1-249-435-11	CARBON	33K 5% 1/4W	R883	1-249-422-11	CARBON	2.7K 5% 1/4W
R830	1-249-435-11	CARBON	33K 5% 1/4W	R884	1-249-422-11	CARBON	2.7K 5% 1/4W
R831	1-215-454-00	CARBON	24K 5% 1/4W	R885	1-247-881-00	CARBON	120K 5% 1/4W
R832	1-249-422-11	CARBON	2.7K 5% 1/4W	R886	1-249-424-11	CARBON	3.9K 5% 1/8W
R833	1-215-449-00	METAL	15K 1% 1/6W	R887	1-249-405-11	CARBON	100 5% 1/4W
R834	1-215-464-00	METAL	62K 1% 1/6W	R888	1-215-477-00	METAL	220K 1% 1/6W
R835	1-215-467-00	METAL	82K 1% 1/6W	R889	1-215-463-00	METAL	56K 1% 1/6W
R836	1-249-411-11	CARBON	330 5% 1/4W	R890	1-212-360-61	METAL OXIDE	1 5% 1W F
R837	1-249-417-11	CARBON	1K 5% 1/4W	R891	1-212-360-61	METAL	1 5% 1W F
R838	1-206-745-00	METAL OXIDE	6.8K 5% 3W F	R892	1-215-445-00	METAL	10K 1% 1/6W
R839	1-247-662-11	CARBON	560 5% 1/4W F	R893	1-249-427-11	CARBON	6.8K 5% 1/4W
R840	1-249-422-11	CARBON	2.7K 5% 1/4W	R894	1-249-436-11	CARBON	39K 5% 1/4W
R841	1-212-361-00	METAL OXIDE	1.2 5% 1W F	R895	1-249-421-11	CARBON	2.2K 5% 1/4W
R842	1-206-745-61	METAL OXIDE	6.8K 5% 3W F	R896	1-249-417-11	CARBON	1K 5% 1/4W
R843	1-249-427-11	CARBON	6.8K 5% 1/4W	R897	1-215-436-00	CARBON	4.3K 5% 1/4W
R844	1-213-126-00	METAL OXIDE	39 5% 1W F	R898	1-249-417-11	CARBON	1K 5% 1/4W
R845	1-215-465-00	METAL	68K 1% 1/6W	R899	1-249-413-11	CARBON	470 5% 1/4W
R846	1-249-411-11	CARBON	330 5% 1/4W	VARIABLE RESISTOR			
R847	1-249-429-11	CARBON	10K 5% 1/4W	RV501	1-228-577-00	RES, ADJ, CARBON	220
R848	1-215-436-00	CARBON	4.3K 5% 1/4W	RV502	1-228-724-00	RES, ADJ, CARBON	10K
R849	1-249-432-11	CARBON	18K 5% 1/4W	RV503	1-226-848-00	RES, ADJ, CARBON	2.2K
R850	1-215-434-00	CARBON	3.6K 5% 1/4W	RV504	1-226-852-00	RES, ADJ, CARBON	22K
R851	1-249-432-11	CARBON	18K 5% 1/4W	RV505	1-224-249-XX	RES, ADJ, METAL GLAZE	1K
R852	1-249-433-11	CARBON	22K 5% 1/4W	RV506	1-226-855-00	RES, ADJ, CARBON	220K
R853	1-249-424-11	CARBON	3.9K 5% 1/4W	RV507	1-226-850-00	RES, ADJ, CARBON	4.7K
R855	1-249-411-11	CARBON	330 5% 1/4W	RV751	1-226-850-00	RES, ADJ, CARBON	4.7K
R856	1-249-428-11	CARBON	8.2K 5% 1/4W	RV752	1-228-724-00	RES, ADJ, CARBON	10K
R857	1-249-441-11	CARBON	100K 5% 1/4W	RV753	1-226-850-00	RES, ADJ, CARBON	4.7K
R858	1-215-480-00	CARBON	300K 5% 1/4W	RV802	1-228-160-11	RES, ADJ, METAL GLAZE	5K
R859	1-249-435-11	CARBON	33K 5% 1/4W	RV803	1-226-849-00	RES, ADJ, CARBON	3.3K
R860	1-217-418-00	FUSIBLE	0.47 10% 1/2W F	RV804	1-226-847-00	RES, ADJ, CARBON	1K
R861	1-217-418-00	FUSIBLE	0.47 10% 1/2W F	RV805	1-226-845-00	RES, ADJ, CARBON	330
R862	1-244-923-00	CARBON	120K 5% 1/2W	RV806	1-226-849-00	RES, ADJ, CARBON	3.3K
R863	1-244-923-00	CARBON	120K 5% 1/2W	RV807	1-226-848-00	RES, ADJ, CARBON	2.2K
R864	1-246-488-00	CARBON	4.3K 5% 1/4W				

• The components identified by in this manual have been carefully factory-selected for each set in order to satisfy regulations regarding X-ray radiation. Should replacement be required, replace only with the value originally used.

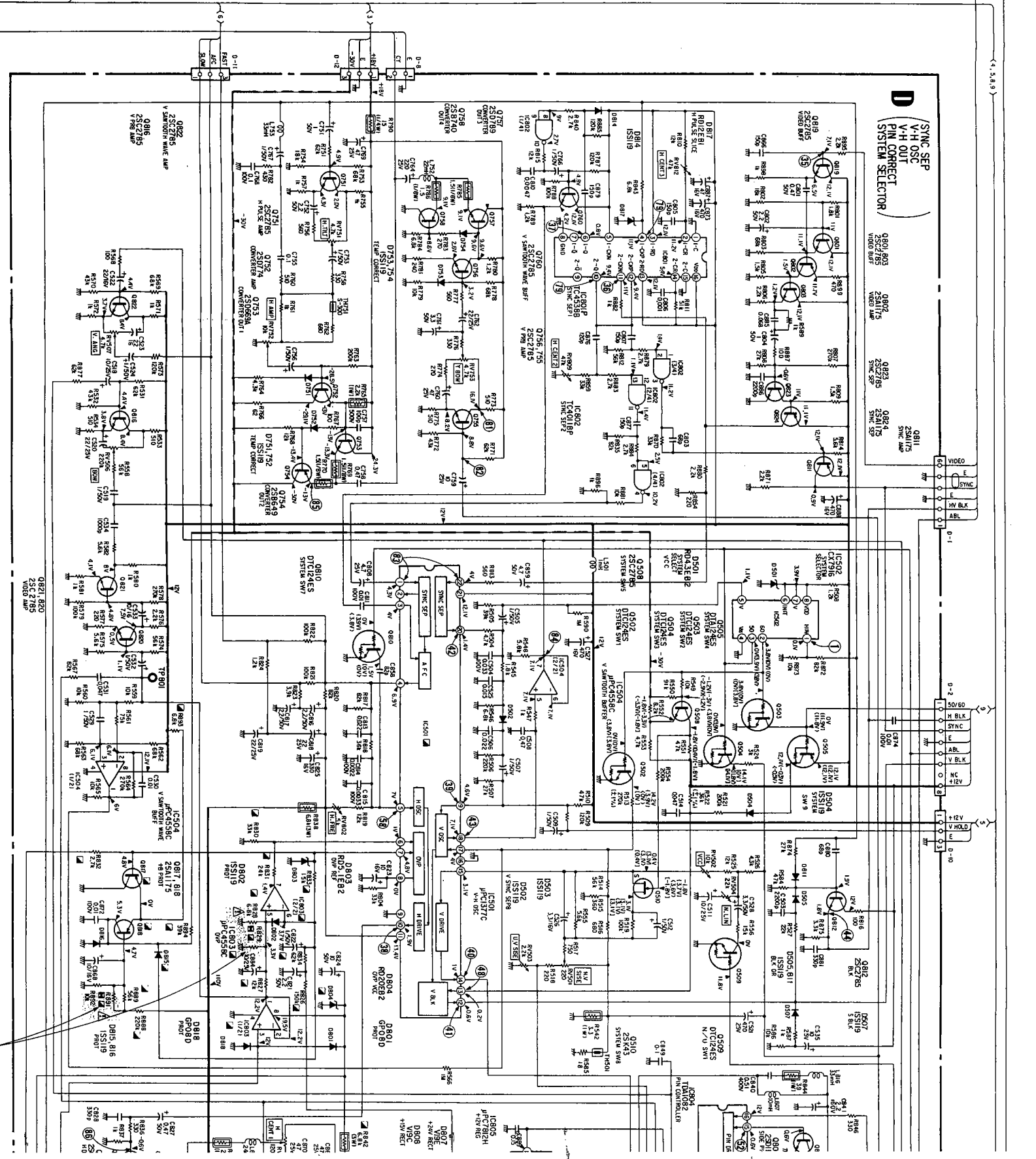
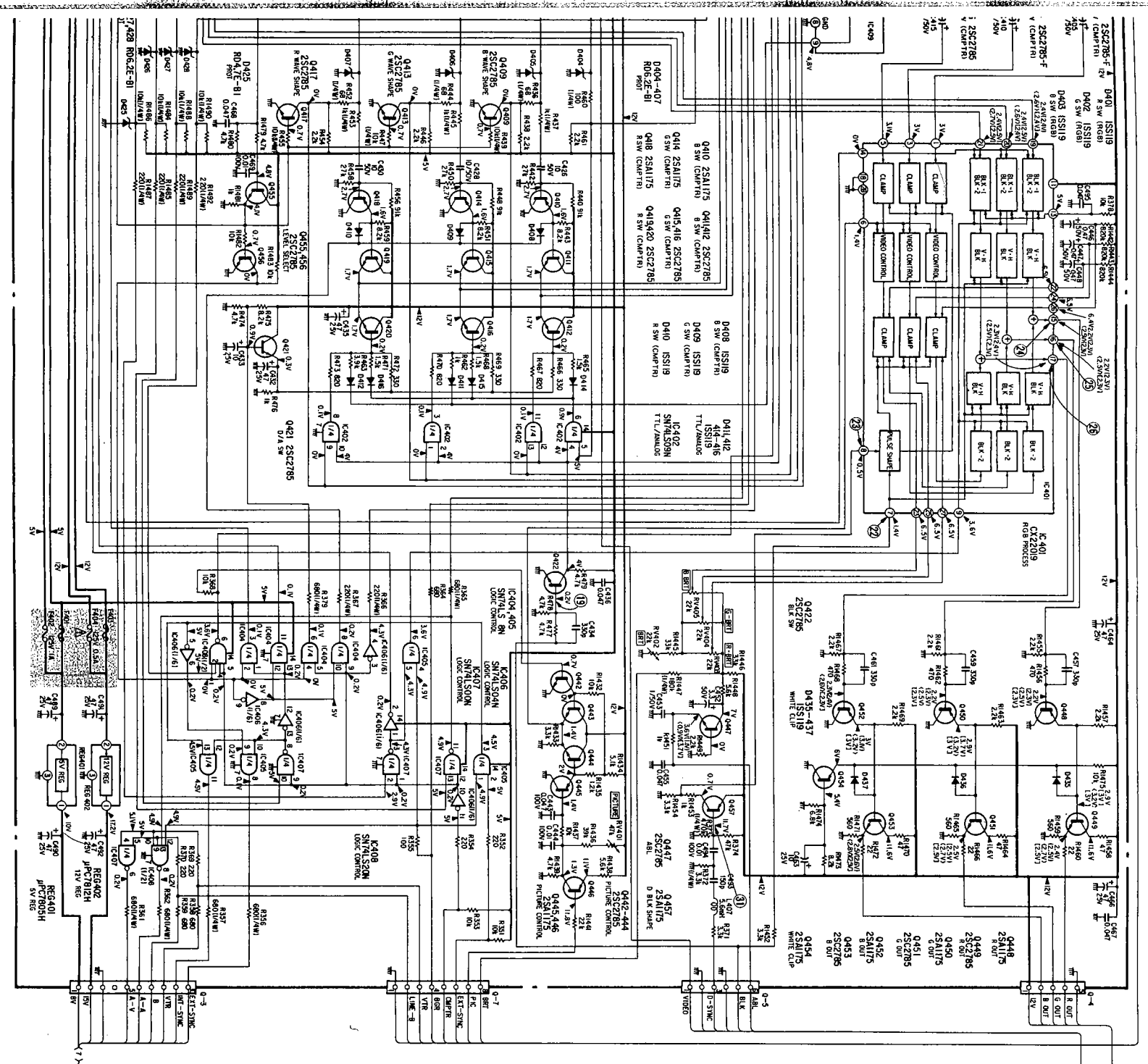
The components identified by shading and mark are critical for safety. Replace only with part number specified.

Les composants identifiés par une trame et une marque sont critiques pour la sécurité. Ne les remplacer que par une pièce portant le numéro spécifié.

A B C D E F G H I 1 2 3 4 5 6 7 8 9 10 11 12 13 14 15 16

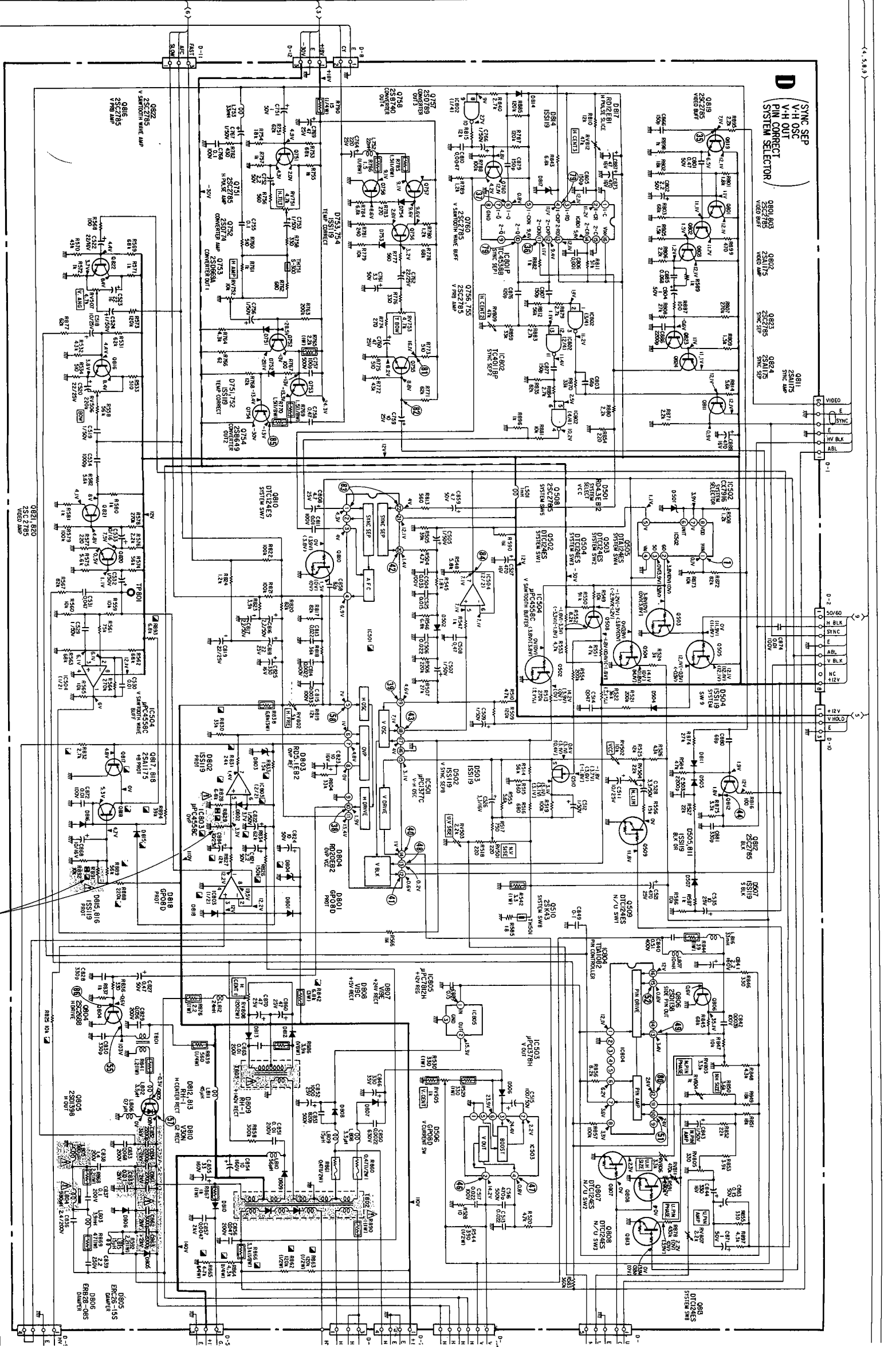
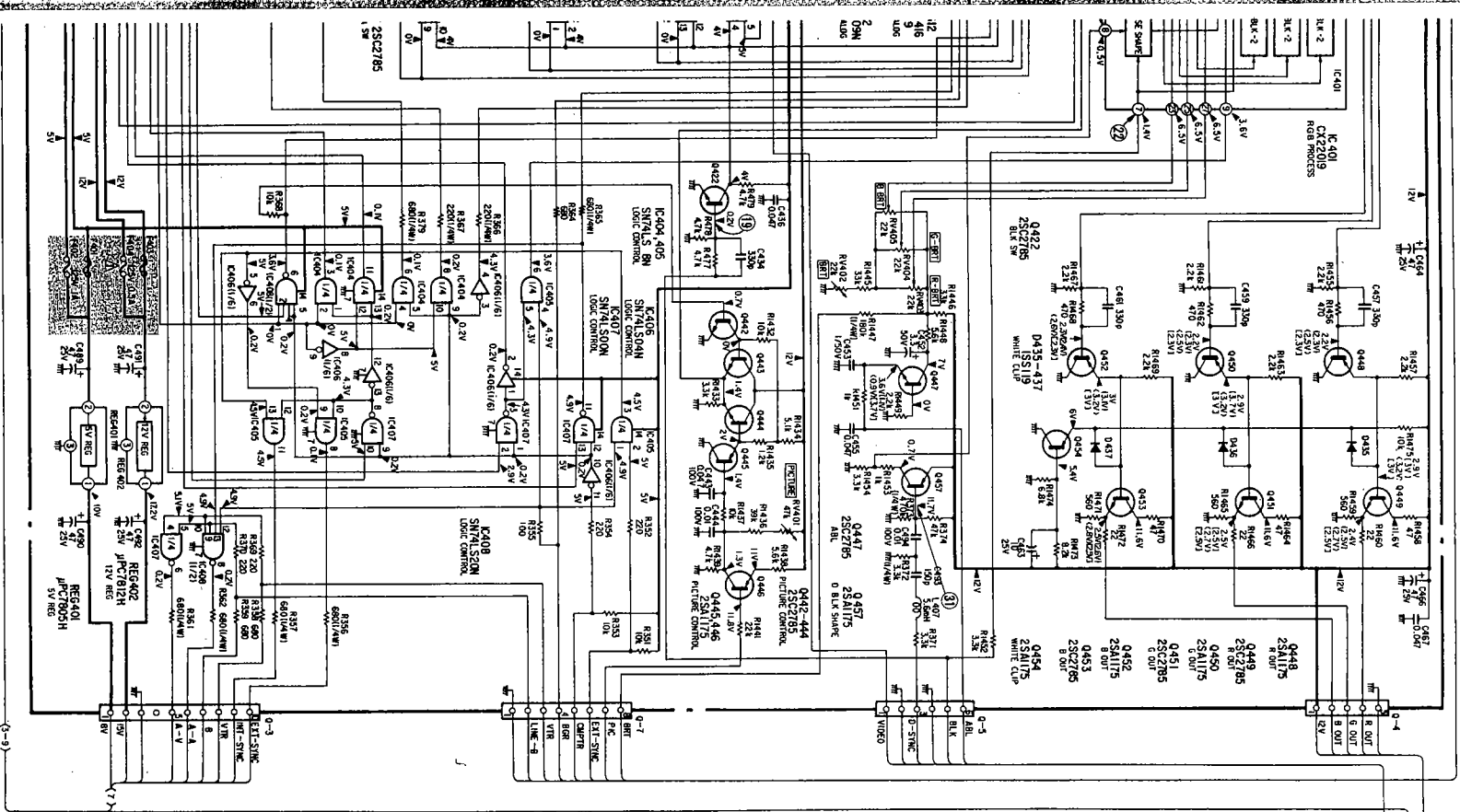


6 7 8 9 10 11 12 13 14 15 16 17 18 19 20 21 22

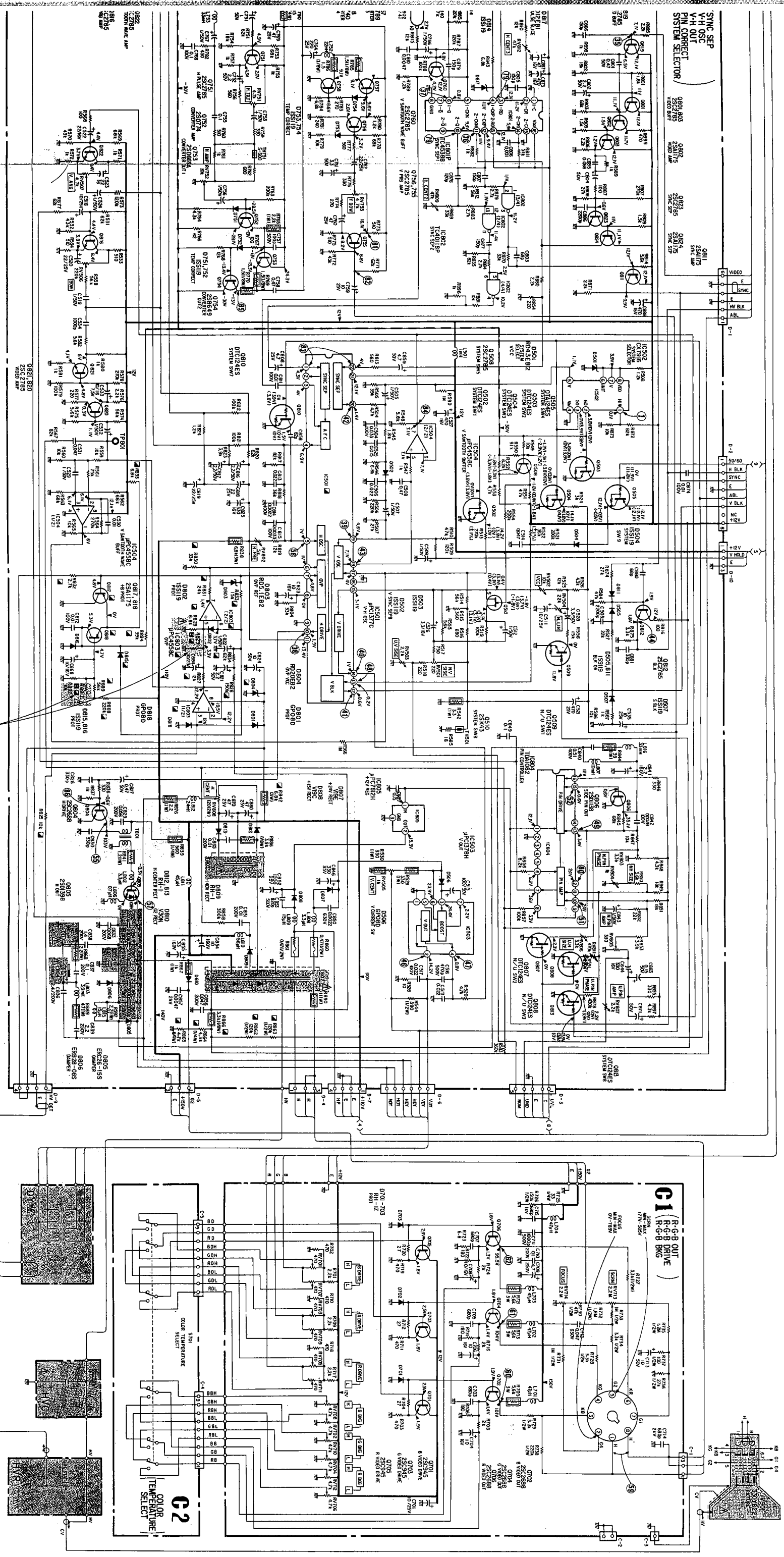


See page

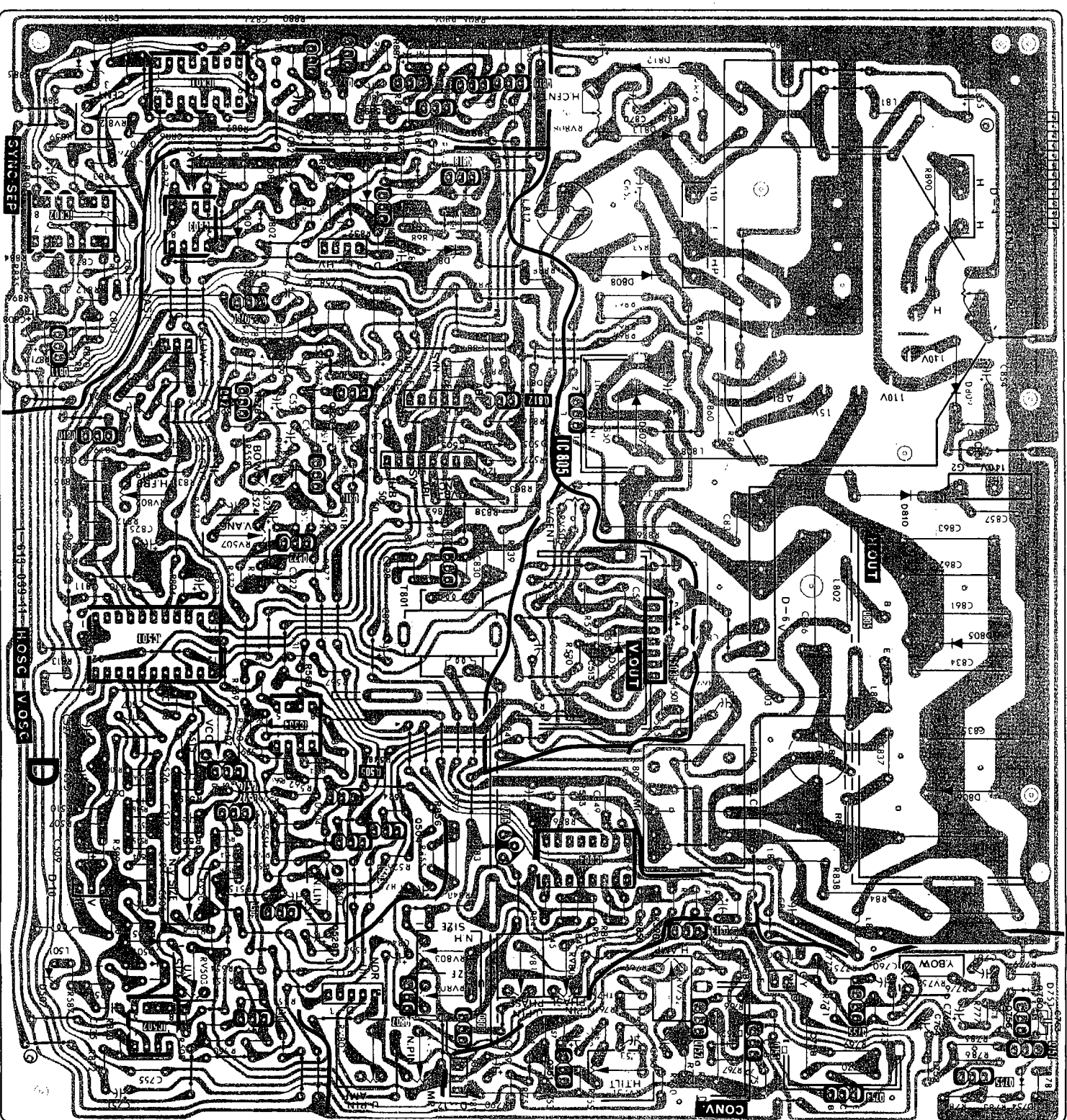
9 10 11 12 13 14 15 16 17 18 19 20 21 22 23 24 25



15 16 17 18 19 20 21 22 23 24 25 26 27 28 29 30



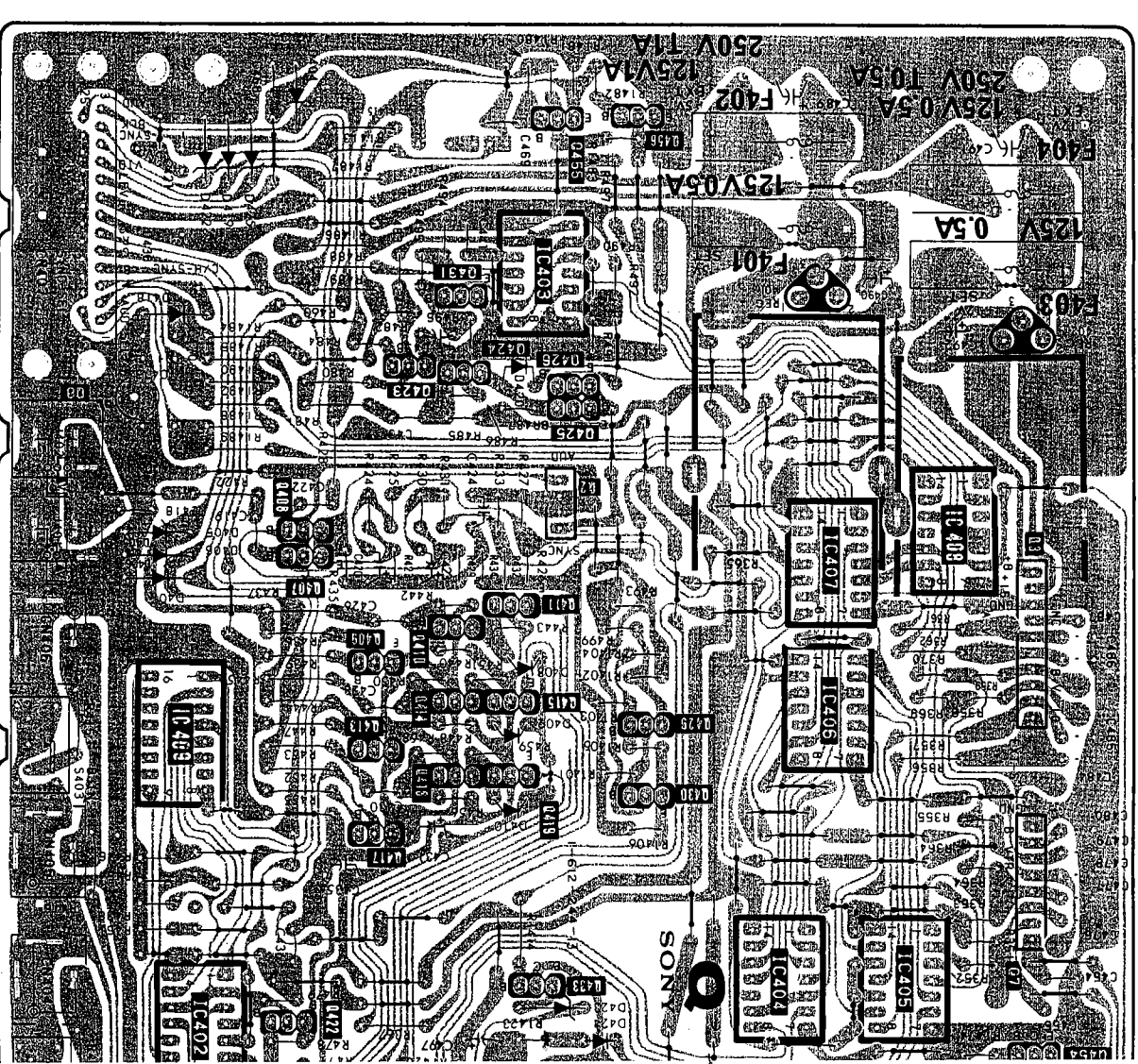
IC	D	ADJ
757	753 754	733
785	809 805 806	
755 754	810	
753		752
813		751
752	751 752	
C503	813 812 808 807 506	752 751
IC804	808 505 804	804
751		811
806	811 505	
808 804	803 806 805	
504	807 815 805	
503	816 807	
505	803	
2 IC504	504 504	
509	818 506	
502	802 507	
510	801 502	
508	501 503 502	
101 IC502	501 546 502	802
	817 814	812
	507	



Q R. G. B PROCESS, LOGIC CONTROL
[SYNC OUT, R. G. B IN, AF IN, COMPTN IN]

- Q Board -

0	REG402	IC408	IC405
495	REG401	IC407	IC404
495	426, 425	411	433
IC	IC403	424	422
	431	408, 407	IC302
	423	410 409 414	
D	404	IC409	423 424
	425	408 409	
	419	410	
	422		
ADJ	419	405, 406, 407	



CUSTOMER CONTROL,
INPUT SIGNAL INDICATOR

H

1 2 3 4 5 6 7

- H Board -

A

B

C

D

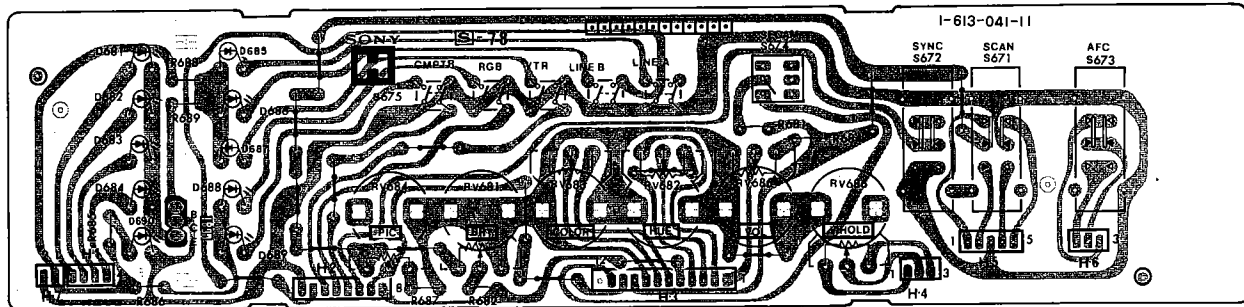
E

F

G

H

I



C1

[R.G.B. OUT, R.G.B. DRIVE,
R.G.B. BKG]

1 2 3 4 5 6 7

- C1 Board -

A

B

C

D

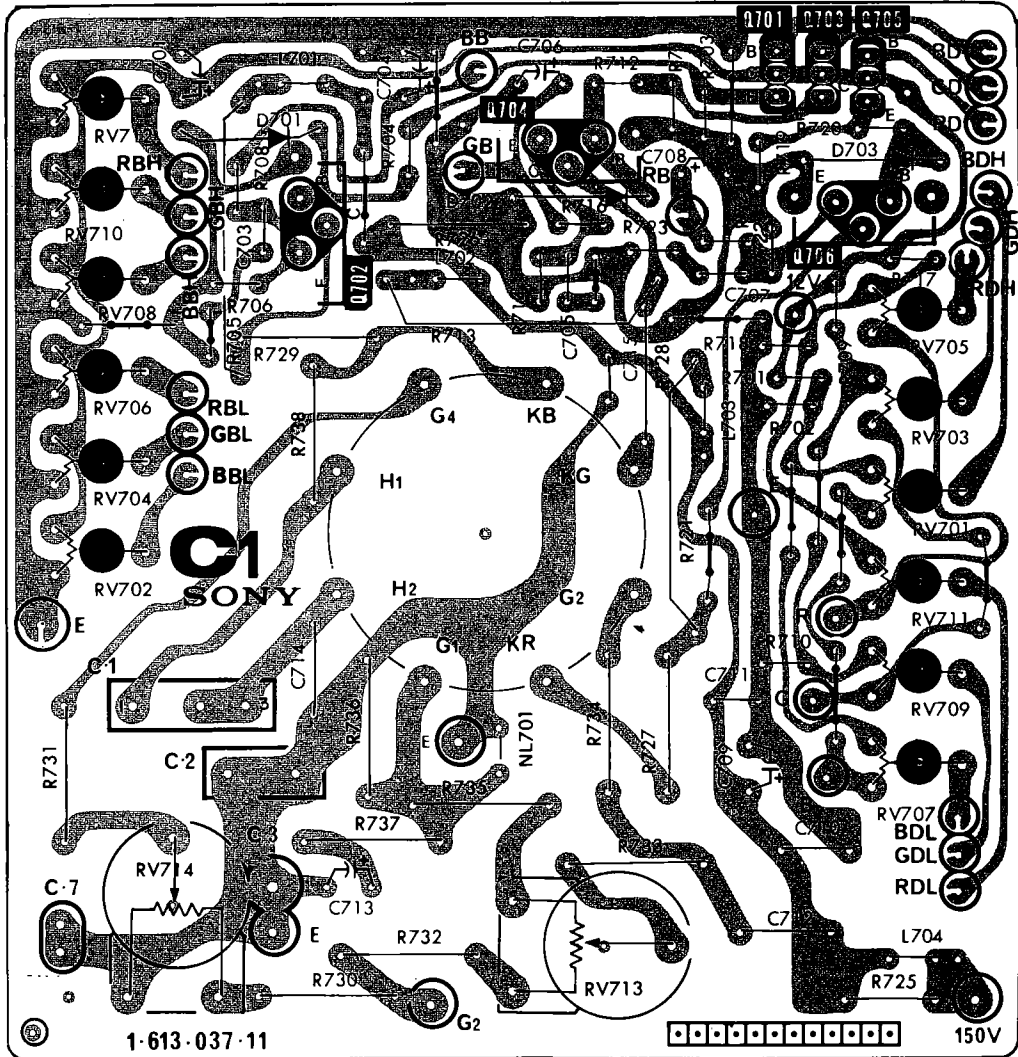
E

F

G

H

I



[COLOR TEMPERATURE SELECT]

C2

1 2 3 4 5 6 7

- C2 Board -

A

B

C

D

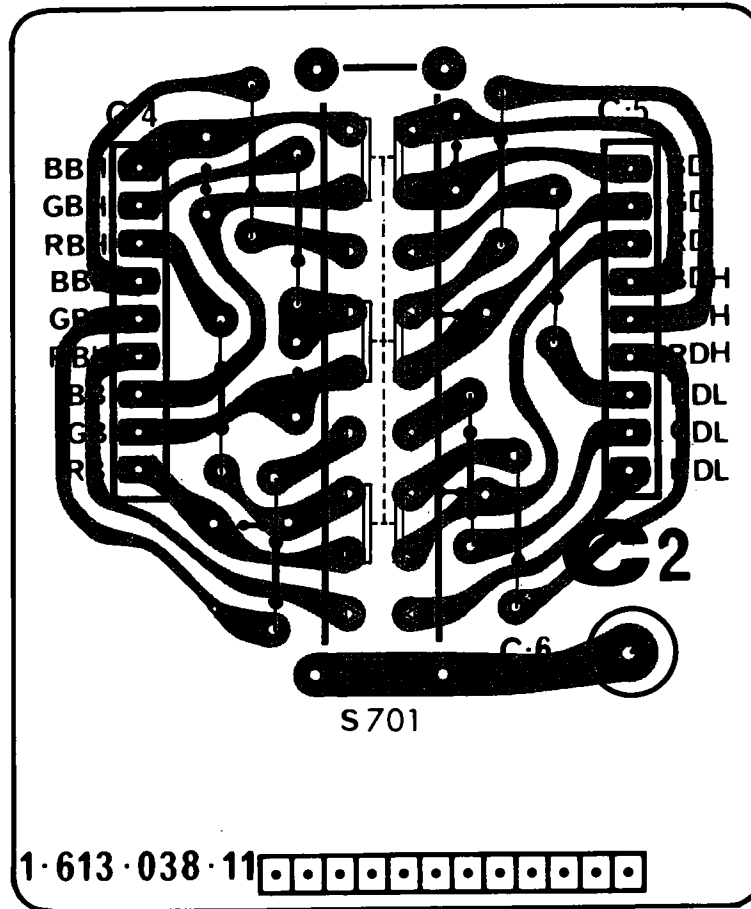
E

F

G

H

I



F

[POWER SUPPLY]

F2

[KICK]

1

2

3

4

5

6

7

- F Board -

A

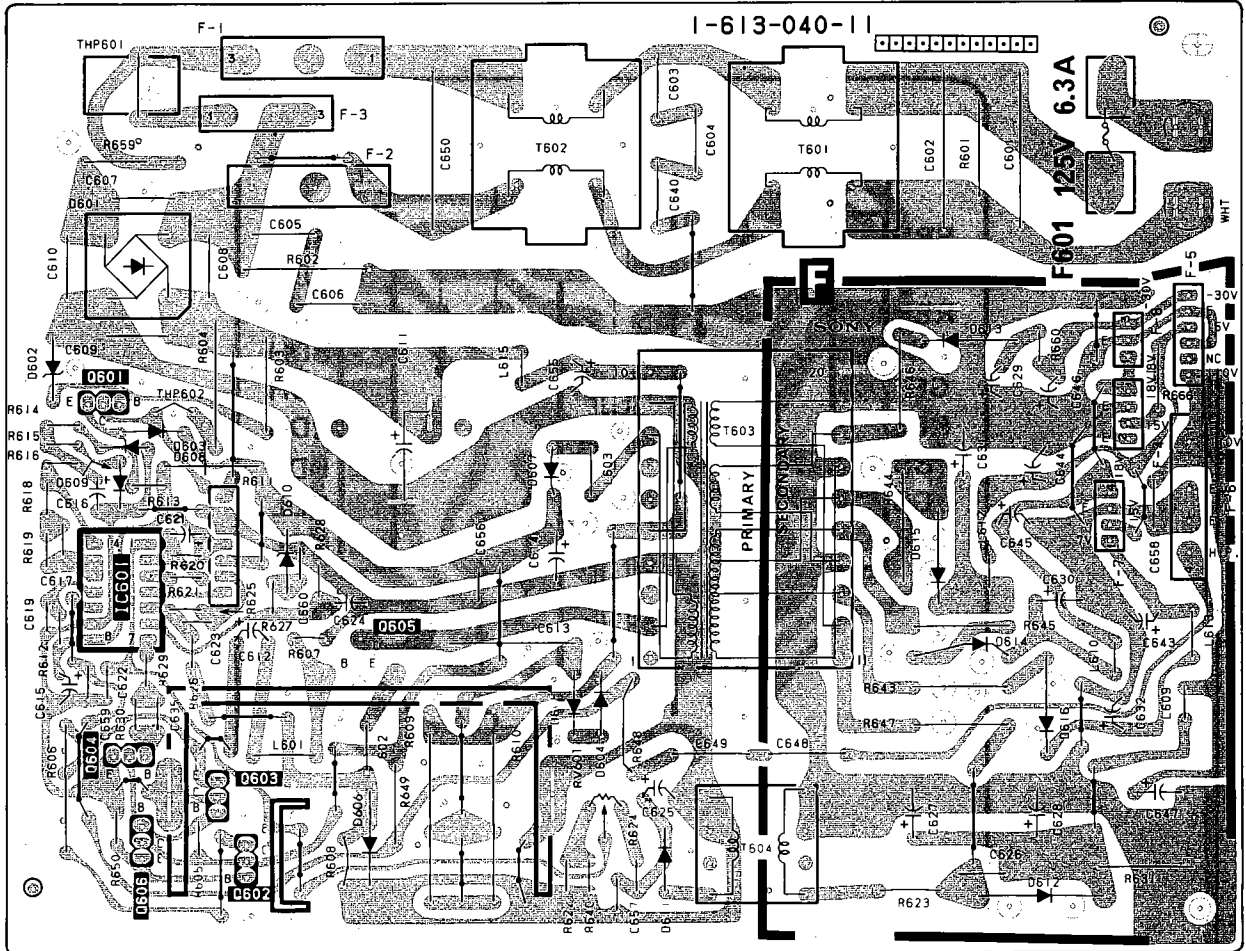
B

C

D

E

F

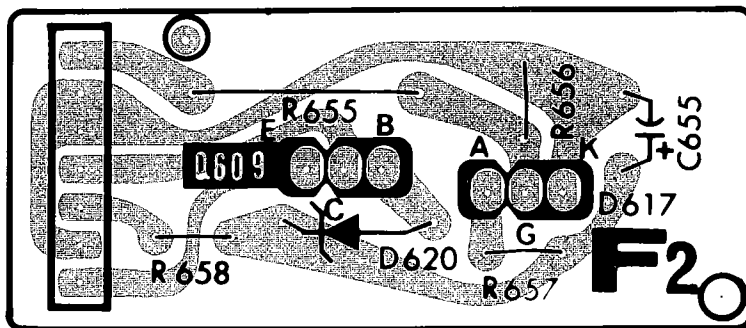


G

- F2 Board -

H

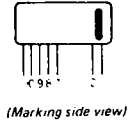
I



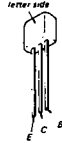
4-6. SEMICONDUCTORS

CX095E
SN74LS00N
SN74LS04N
SN74LS08N
SN74LS09N
SN74LS136N
SN74LS20N
TC4011BP
TC4023BP
TC4024BP
μPC1394C
μPD4024BC

μPC1241H



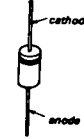
2SA1175
2SC2785



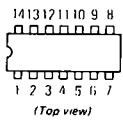
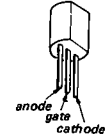
2SD1398
2SD1402



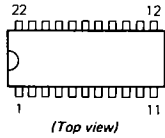
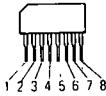
ERA81-004
ERB12-02RK
GP08D



N13T1



CX20061



μPC1377C

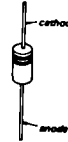
2SA733
2SA1015
2SC1815
2SC945



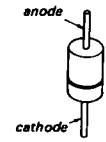
2SK105A



ERC24-06S
RH-1
RH-1A
RH-1Z
SIB01-02



RGP15J



2SA773
2SB740
2SD789



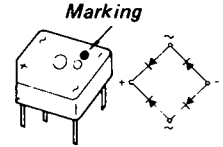
2SK43



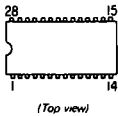
ERC26-15S



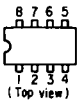
S3WB60Z



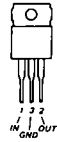
CX22019
μPC1364C2
μPC1365C



CX7916
NJM 4558D
μPC4558C



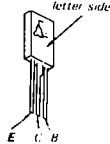
μPC7805H
μPC7812H



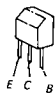
2SA1026



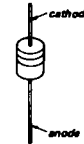
2SB649
2SC2688
2SD669



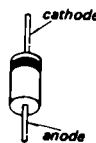
2SB734
2SD774



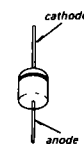
1SS119
1SS133
1SS148



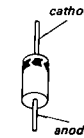
1SS82
1SS83
ERD28-08S
RD4.3E-B1
RD4.3E-B2
RD4.7E-B1
RD5.1E-B2
RD6.2E-B1
RD6.2E-B2
RD10E-N2
RD12E-B1
RD18E-B2
RD20E-B2
RD22E-B3



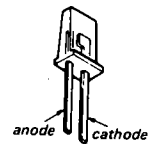
ERC81-004



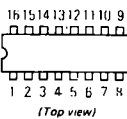
ERD29-08J



SG232D



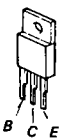
HD14538BP
SN74LS138N
TC4538BP
TDA1082



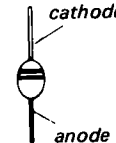
2SA1048
2SA1115
2SC2458
2SC2603
DTA124ES
DTC124ES



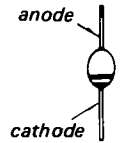
2SC2929
2SC1134
2SD1138



GH3F
U05G



V19B
V19C
V19E
V30N



SECTION 5 EXPLODED VIEWS

NOTE:

- Items with no part number and no description are not stocked because they are seldom required for routine service.
- The construction parts of an assembled part are indicated with a collation number in the remark column.

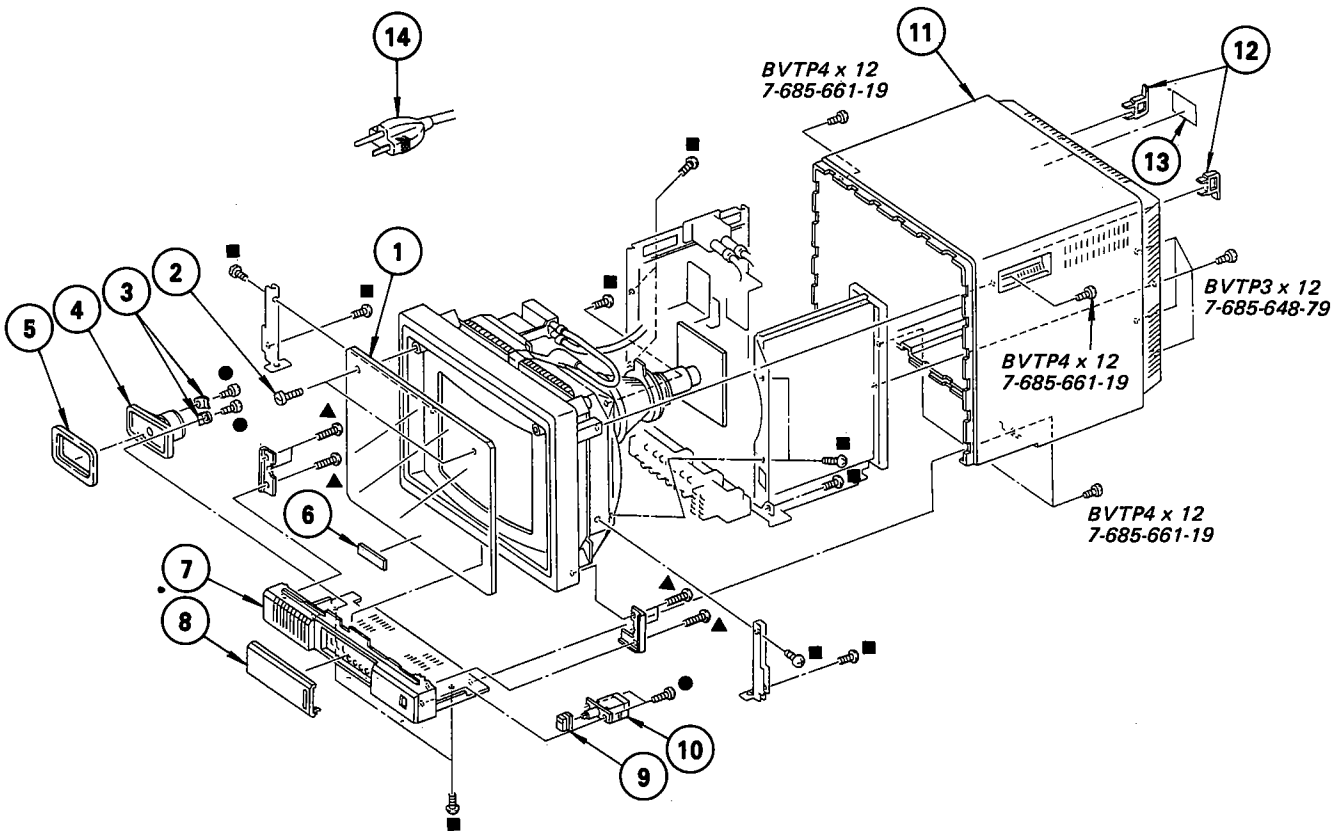
Items marked "★" are not stocked since they are seldom required for routine service. Some delay should be anticipated when ordering these items.

The components identified by shading and mark ▲ are critical for safety. Replace only with part number specified.

Les composants identifiés par une trame et une marque ▲ sont critiques pour la sécurité. Ne les remplacer que par une pièce portant le numéro spécifié.

5-1. CABINET

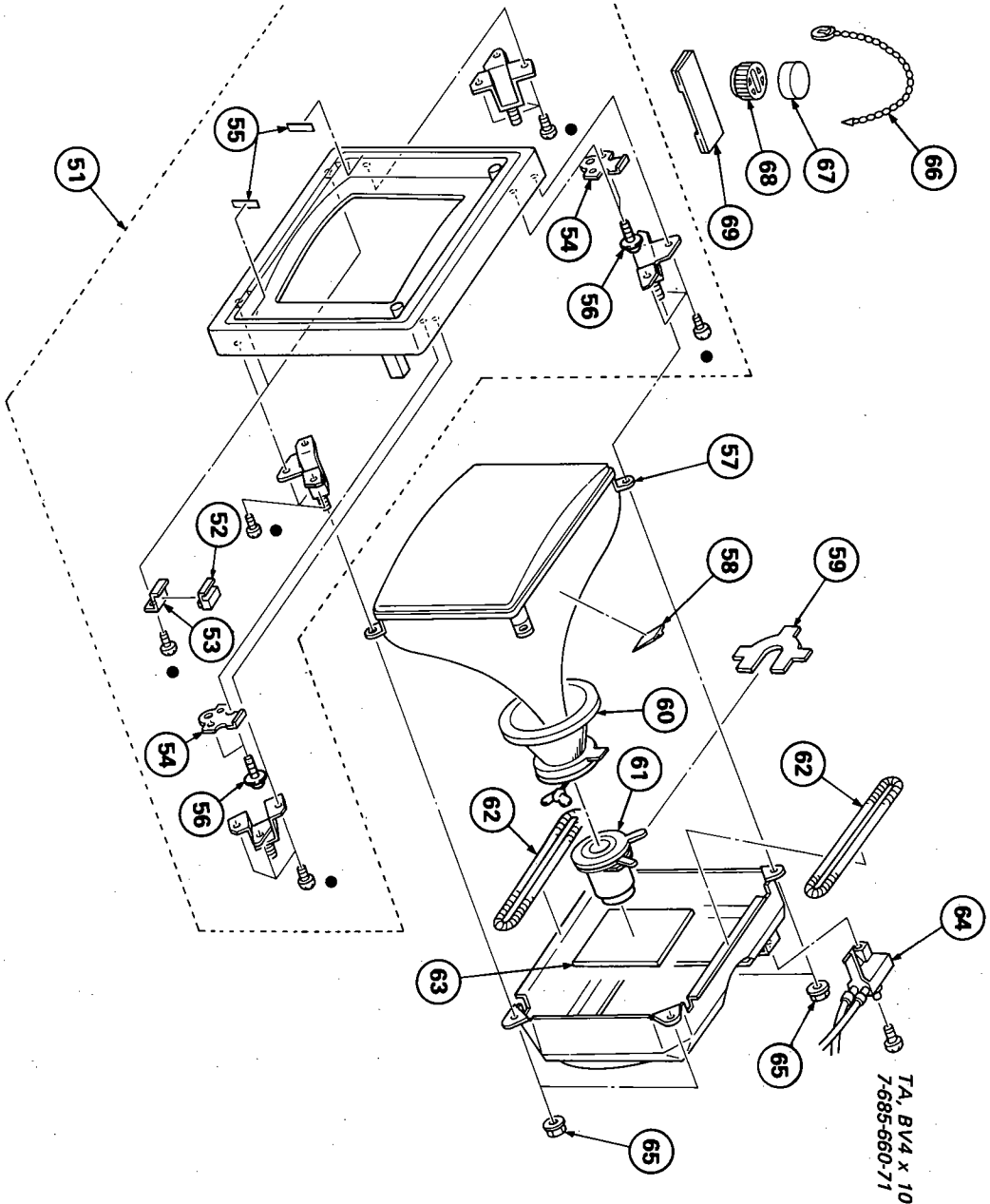
- : TA, BV3 x 8 7-685-646-71
- : TA, BV3 x 12 7-685-648-71
- ▲: TA, BV4 x 12 7-685-661-14



No.	Part No.	Description	Remark	No.	Part No.	Description	Remark
1	4-364-717-00	FILTER		8	X-4364-704-2	DOOR ASSY	
2	4-336-851-51	SCREW, ORNAMENTAL		9	4-364-710-00	BUTTON, POWER	
3	*4-321-611-00	CLAW, RETAINING, SPEAKER		10	▲ 1-553-584-12	SWITCH, PUSH (POWER)	
4	1-503-109-00	SPEAKER		11	X-4365-404-1	CABINET ASSY	12
5	*4-364-741-00	CUSHION, SPEAKER		12	▲ 4-316-003-01	HOLDER, CORD	
6	*X-3701-079-0	EMBLEM (SMALL) ASSY, SONY		13	*4-365-412-01	LABEL, MODEL NUMBER (U/C)	
7	X-4365-403-1	PANEL ASSY, CONTROL	8	14	▲ 1-534-517-31	CORD, AC	

5-2. BEZEL

TA, BV3 x 12 7-685-648-71



Part No.	Description	Remark
X-4364-702-0	BEZEL ASSY	52-56
4-336-808-00	PROTECTOR, FILTER	
4-364-701-00	HOLDER, FILTER	
*4-341-905-00	NUT, PLATE (A)	
9-911-837-XX	CUSHION (B), FILTER	
4-302-428-00	HEAD, WASHER, TAPPING SCREW	
*8-738-312-05	CRT (330VB22)	
3-703-003-00	SPACER, DY	
1-452-146-21	MAGNET, BMC	
A-1-451-239-11	DEFLECTION YOKE (SY-97A)	

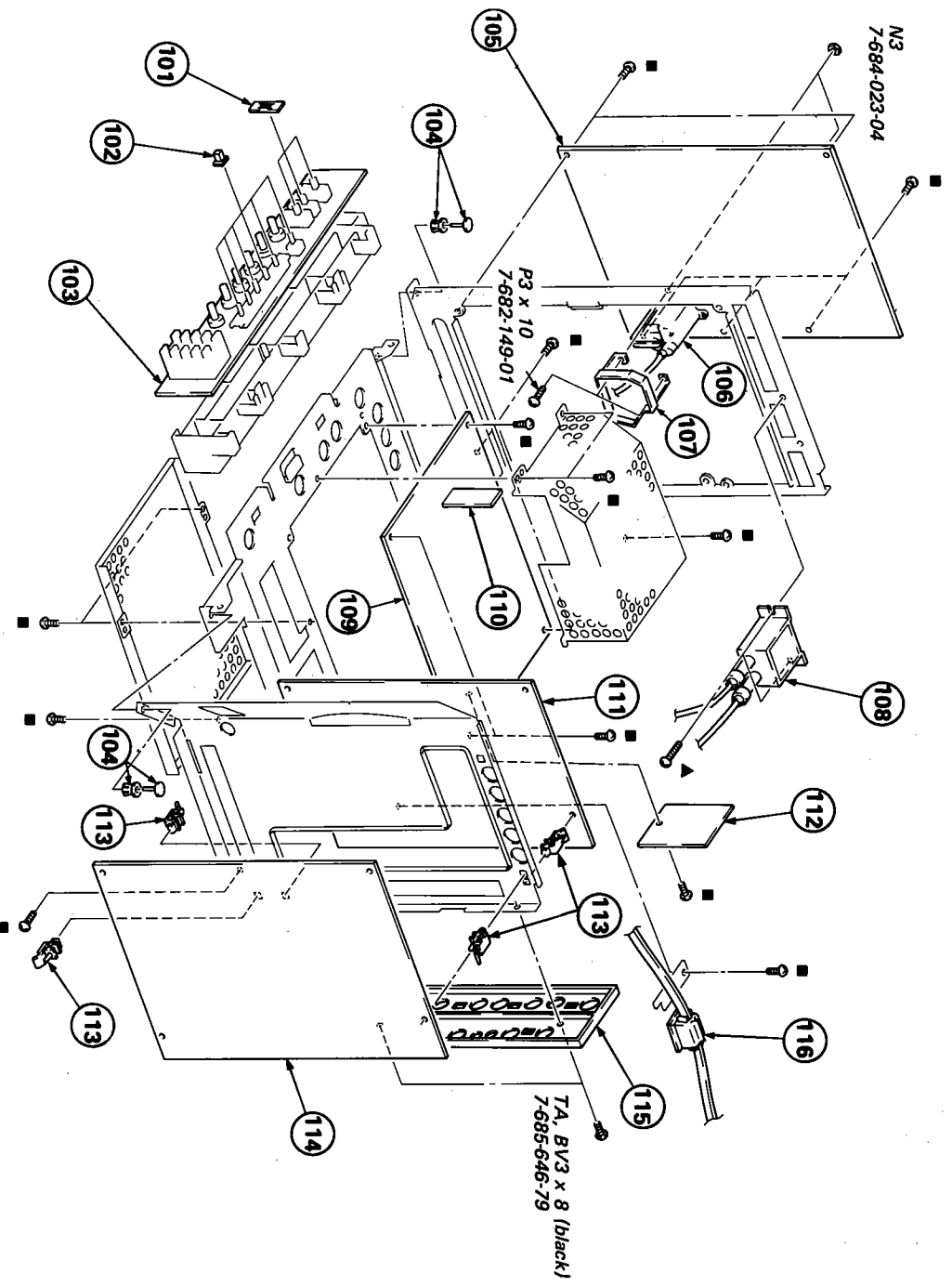
No.	Part No.	Description	Remark
61	A-1-452-214-12	CRT NECK ASSY (H TYPE)	
62	A-1-426-086-12	COIL, DEGAUSSING	
63	*A-1-330-541-A	C1 BOARD, COMPLETE	
64	A-1-228-482-13	RESISTOR ASSY, HIGH-VOLTAGE	
65	4-306-034-00	FLANGE NUT, (B) 5MM	
66	4-308-870-00	CLIP, LEAD WIRE	
67	1-452-032-00	MAGNET, DISK; 10MM Ø	
68	1-452-094-00	MAGNET, ROTATABLE DISK; 15MM Ø	
69	X-4308-815-0	PERMALLOY ASSY, CONVERGENCE	

The components identified by shading and mark **▲** are critical for safety. Replace only with part number specified.

Les composants identifiés par une trame et une marque **▲** sont critiques pour la sécurité. Ne les remplacer que par une pièce portant le numéro spécifié.

5-3. CHASSIS

TA, BV3 x 8 7-685-646-71
 ▲: TA, BV4 x 12 7-685-661-14



No.	Part No.	Description	Remark
101	*4-337-419-00	INSULATOR (LARGE), SLIDE SWITCH	
102	4-369-627-01	PUSH BUTTON	
103	*1-613-041-11	H BOARD	
104	3-646-090-00	RIVET, NYLON	
105	*A-1-345-472-A	D BOARD, COMPLETE	
106	A-1-439-308-12	TRANSFORMER ASSY, FLYBACK	
107	*4-364-749-00	PLATE, SHIELD, F.B. T	
108	A-1-162-142-21	CAP BLOCK, HIGH VOLTAGE	

No.	Part No.	Description	Remark
109	*A-1245-230-A	F BOARD, COMPLETE	
110	*1-613-847-11	F2 BOARD	
111	*A-1275-055-A	Q BOARD, COMPLETE	
112	*1-613-038-11	C2 BOARD	
113	*3-703-141-00	HOLDER, PCB	
114	*A-1135-253-A	B BOARD, COMPLETE	
115	4-365-421-01	PANEL (C), CONNECTOR	
116	*4-364-726-00	BUSHING, AC CORD	

The components identified by shading and mark **▲** are critical for safety. Replace only with part number specified.

Les composants identifiés par une trame et une marque **▲** sont critiques pour la sécurité. Ne les remplacer que par une pièce portant le numéro spécifié.

<u>Ref.No.</u>	<u>Part No.</u>	<u>Description</u>	<u>Remark</u>	<u>Ref.No.</u>	<u>Part No.</u>	<u>Description</u>	<u>Remark</u>
IC103	8-759-113-65	IC UPC1365C		Q114	8-729-313-42	TRANSISTOR 2SD1134	
IC104	8-759-240-24	IC TC4024BP		Q116	8-729-204-83	TRANSISTOR 2SA1048GR	
IC105	8-759-240-23	IC TC4023BP		Q117	8-729-245-83	TRANSISTOR 2SC2458	
IC201	8-759-100-15	IC UPC1364C		Q118	8-729-245-83	TRANSISTOR 2SC2458	
IC202	8-759-101-77	IC UPC1241H		Q120	8-729-245-83	TRANSISTOR 2SC2458	
IC203	8-759-610-95	IC CX095E		Q121	8-729-204-83	TRANSISTOR 2SA1048GR	
<u>TERMINAL BOARD</u>				Q122	8-729-245-83	TRANSISTOR 2SC2458	
J2	1-536-842-11	TERMINAL BOARD, INPUT/OUTPUT (A)		Q123	8-729-245-83	TRANSISTOR 2SC2458	
<u>COIL</u>				Q124	8-729-115-30	TRANSISTOR 2SK105A-30	
L101	1-408-412-00	MICRO INDUCTOR 18UH		Q125	8-729-245-83	TRANSISTOR 2SC2458	
L102	1-408-412-00	MICRO INDUCTOR 18UH		Q126	8-729-115-30	TRANSISTOR 2SK105A-30	
L103	1-408-411-00	MICRO INDUCTOR 15UH		Q127	8-729-115-30	TRANSISTOR 2SK105A-30	
L104	1-408-414-00	MICRO INDUCTOR 27UH		Q128	8-729-115-30	TRANSISTOR 2SK105A-30	
L105	1-408-414-00	MICRO INDUCTOR 27UH		Q129	8-729-245-83	TRANSISTOR 2SC2458	
L106	1-408-409-00	MICRO INDUCTOR 10UH		Q130	8-729-245-83	TRANSISTOR 2SC2458	
L107	1-408-413-00	MICRO INDUCTOR 22UH		Q131	8-729-115-30	TRANSISTOR 2SK105A-30	
L108	1-408-416-00	MICRO INDUCTOR 39UH		Q132	8-729-115-30	TRANSISTOR 2SK105A-30	
L110	1-408-412-00	MICRO INDUCTOR 18UH		Q133	8-729-245-83	TRANSISTOR 2SC2458	
L111	1-408-406-00	MICRO INDUCTOR 5.6UH		Q135	8-729-204-83	TRANSISTOR 2SA1048GR	
L112	1-408-408-00	MICRO INDUCTOR 8.2UH		Q136	8-729-204-83	TRANSISTOR 2SA1048GR	
L113	1-408-226-00	MICRO INDUCTOR 82UH		Q137	8-729-204-83	TRANSISTOR 2SA1048GR	
L114	1-408-419-00	MICRO INDUCTOR 68UH		Q138	8-729-204-83	TRANSISTOR 2SA1048GR	
L201	1-408-247-00	MICRO INDUCTOR 33MMH		Q139	8-729-245-83	TRANSISTOR 2SC2458	
L202	1-408-163-00	MICRO INDUCTOR 5.6MMH		Q140	8-729-204-83	TRANSISTOR 2SA1048GR	
L203	1-408-414-00	MICRO INDUCTOR 27UH		Q141	8-729-204-83	TRANSISTOR 2SA1048GR	
<u>TRANSISTOR</u>				Q142	8-729-204-83	TRANSISTOR 2SA1048GR	
Q001	8-729-245-83	TRANSISTOR 2SC2458		Q143	8-729-204-83	TRANSISTOR 2SA1048GR	
Q002	8-729-204-83	TRANSISTOR 2SA1048GR		Q144	8-729-245-83	TRANSISTOR 2SC2458	
Q003	8-729-204-83	TRANSISTOR 2SA1048GR		Q145	8-729-245-83	TRANSISTOR 2SC2458	
Q004	8-729-204-83	TRANSISTOR 2SA1048GR		Q148	8-729-245-83	TRANSISTOR 2SC2458	
Q005	8-729-245-83	TRANSISTOR 2SC2458		Q149	8-729-204-83	TRANSISTOR 2SA1048GR	
Q006	8-729-204-83	TRANSISTOR 2SA1048GR		Q150	8-729-204-83	TRANSISTOR 2SA1048GR	
Q007	8-729-204-83	TRANSISTOR 2SA1048GR		Q151	8-729-245-83	TRANSISTOR 2SC2458	
Q008	8-729-245-83	TRANSISTOR 2SC2458		Q152	8-729-245-83	TRANSISTOR 2SC2458	
Q009	8-729-204-83	TRANSISTOR 2SA1048GR		Q153	8-729-245-83	TRANSISTOR 2SC2458	
Q010	8-729-245-83	TRANSISTOR 2SC2458		Q154	8-729-245-83	TRANSISTOR 2SC2458	
Q011	8-729-245-83	TRANSISTOR 2SC2458		Q155	8-729-245-83	TRANSISTOR 2SC2458	
Q012	8-729-204-83	TRANSISTOR 2SA1048GR		Q159	8-729-204-83	TRANSISTOR 2SA1048GR	
Q101	8-729-245-83	TRANSISTOR 2SC2458		<u>RESISTOR</u>			
Q102	8-729-245-83	TRANSISTOR 2SC2458		R002	1-247-131-00	CARBON 1K 5%	1/4W
Q103	8-729-245-83	TRANSISTOR 2SC2458		R003	1-247-865-00	CARBON 27K 5%	1/6W
Q104	8-729-245-83	TRANSISTOR 2SC2458		R004	1-247-845-00	CARBON 3.9K 5%	1/6W
Q105	8-729-245-83	TRANSISTOR 2SC2458		R005	1-247-839-00	CARBON 2.2K 5%	1/6W
Q106	8-729-245-83	TRANSISTOR 2SC2458		R006	1-247-875-00	CARBON 68K 5%	1/6W
Q107	8-729-245-83	TRANSISTOR 2SC2458		R007	1-247-863-00	CARBON 22K 5%	1/6W
Q108	8-729-245-83	TRANSISTOR 2SC2458		R009	1-247-850-00	CARBON 6.2K 5%	1/6W
Q109	8-729-204-83	TRANSISTOR 2SA1048GR		R010	1-247-850-00	CARBON 6.2K 5%	1/6W
Q110	8-729-245-83	TRANSISTOR 2SC2458		R011	1-247-850-00	CARBON 6.2K 5%	1/6W
Q111	8-729-245-83	TRANSISTOR 2SC2458		R012	1-247-871-00	CARBON 47K 5%	1/6W
				R013	1-247-877-00	CARBON 82K 5%	1/6W
				R014	1-247-885-00	CARBON 180K 5%	1/6W
				R015	1-247-873-00	CARBON 56K 5%	1/6W



Ref.No.	Part No.	Description	Remark	Ref.No.	Part No.	Description	Remark
R016	1-247-831-00	CARBON	1K 5% 1/6W	R114	1-247-827-00	CARBON	680 5% 1/6W
R017	1-247-104-00	CARBON	75 5% 1/4W	R115	1-247-835-00	CARBON	1.5K 5% 1/6W
R019	1-247-104-00	CARBON	75 5% 1/4W	R116	1-247-803-00	CARBON	68 5% 1/6W
R020	1-247-865-00	CARBON	27K 5% 1/6W	R117	1-247-827-00	CARBON	680 5% 1/6W
R021	1-247-845-00	CARBON	3.9K 5% 1/6W	R118	1-247-827-00	CARBON	680 5% 1/6W
R022	1-247-863-00	CARBON	22K 5% 1/6W	R119	1-247-807-00	CARBON	100 5% 1/6W
R023	1-247-875-00	CARBON	68K 5% 1/6W	R120	1-247-827-00	CARBON	680 5% 1/6W
R024	1-247-850-00	CARBON	6.2K 5% 1/6W	R121	1-247-827-00	CARBON	680 5% 1/6W
R025	1-247-871-00	CARBON	47K 5% 1/6W	R122	1-247-807-00	CARBON	100 5% 1/6W
R026	1-247-173-00	CARBON	56K 5% 1/4W	R123	1-247-831-00	CARBON	1K 5% 1/6W
R027	1-247-877-00	CARBON	82K 5% 1/6W	R124	1-247-823-00	CARBON	470 5% 1/6W
R028	1-247-885-00	CARBON	180K 5% 1/6W	R125	1-247-831-00	CARBON	1K 5% 1/6W
R029	1-247-855-00	CARBON	10K 5% 1/6W	R126	1-247-807-00	CARBON	100 5% 1/6W
R030	1-247-885-00	CARBON	180K 5% 1/6W	R127	1-247-827-00	CARBON	680 5% 1/6W
R031	1-247-877-00	CARBON	82K 5% 1/6W	R128	1-247-814-00	CARBON	200 5% 1/6W
R032	1-247-871-00	CARBON	47K 5% 1/6W	R129	1-247-835-00	CARBON	1.5K 5% 1/6W
R033	1-247-863-00	CARBON	22K 5% 1/6W	R130	1-247-827-00	CARBON	680 5% 1/6W
R034	1-247-875-00	CARBON	68K 5% 1/6W	R131	1-247-823-00	CARBON	470 5% 1/6W
R035	1-247-831-00	CARBON	1K 5% 1/6W	R132	1-247-837-00	CARBON	1.8K 5% 1/6W
R036	1-247-104-00	CARBON	75 5% 1/4W	R133	1-247-799-00	CARBON	47 5% 1/6W
R037	1-247-865-00	CARBON	27K 5% 1/6W	R135	1-247-816-00	CARBON	240 5% 1/6W
R038	1-247-845-00	CARBON	3.9K 5% 1/6W	R136	1-247-839-00	CARBON	2.2K 5% 1/6W
R039	1-247-850-00	CARBON	6.2K 5% 1/6W	R137	1-247-861-00	CARBON	18K 5% 1/6W
R040	1-247-875-00	CARBON	68K 5% 1/6W	R138	1-247-843-00	CARBON	3.3K 5% 1/6W
R041	1-247-104-00	CARBON	75 5% 1/4W	R140	1-247-863-00	CARBON	22K 5% 1/6W
R042	1-247-865-00	CARBON	27K 5% 1/6W	R141	1-247-863-00	CARBON	22K 5% 1/6W
R043	1-247-878-00	CARBON	91K 5% 1/6W	R143	1-247-807-00	CARBON	100 5% 1/6W
R045	1-247-855-00	CARBON	10K 5% 1/6W	R146	1-247-803-00	CARBON	68 5% 1/6W
R046	1-247-853-00	CARBON	8.2K 5% 1/6W	R147	1-247-835-00	CARBON	1.5K 5% 1/6W
R049	1-247-873-00	CARBON	56K 5% 1/6W	R148	1-247-835-00	CARBON	1.5K 5% 1/6W
R051	1-247-839-00	CARBON	2.2K 5% 1/6W	R149	1-247-863-00	CARBON	22K 5% 1/6W
R052	1-247-807-00	CARBON	100 5% 1/6W	R150	1-247-829-00	CARBON	820 5% 1/6W
R053	1-247-871-00	CARBON	47K 5% 1/6W	R151	1-247-823-00	CARBON	470 5% 1/6W
R054	1-247-871-00	CARBON	47K 5% 1/6W	R152	1-247-829-00	CARBON	820 5% 1/6W
R055	1-247-877-00	CARBON	82K 5% 1/6W	R153	1-247-843-00	CARBON	3.3K 5% 1/6W
R056	1-247-159-00	CARBON	15K 5% 1/4W	R154	1-247-863-00	CARBON	22K 5% 1/6W
R061	1-247-226-00	CARBON	270 5% 1/2W	R155	1-247-855-00	CARBON	10K 5% 1/6W
R062	1-247-133-00	CARBON	1.2K 5% 1/4W	R156	1-247-867-00	CARBON	33K 5% 1/6W
R063	1-247-791-00	CARBON	22 5% 1/6W	R157	1-247-867-00	CARBON	33K 5% 1/6W
R100	1-247-853-00	CARBON	8.2K 5% 1/6W	R158	1-247-875-00	CARBON	68K 5% 1/6W
R101	1-247-869-00	CARBON	39K 5% 1/6W	R159	1-247-827-00	CARBON	680 5% 1/6W
R102	1-247-815-00	CARBON	220 5% 1/6W	R160	1-247-869-00	CARBON	39K 5% 1/6W
R103	1-247-833-00	CARBON	1.2K 5% 1/6W	R161	1-247-855-00	CARBON	10K 5% 1/6W
R104	1-247-819-00	CARBON	330 5% 1/6W	R162	1-247-871-00	CARBON	47K 5% 1/6W
R105	1-247-827-00	CARBON	680 5% 1/6W	R165	1-247-903-00	CARBON	1M 5% 1/6W
R106	1-247-843-00	CARBON	3.3K 5% 1/6W	R167	1-247-835-00	CARBON	1.5K 5% 1/6W
R107	1-247-849-00	CARBON	5.6K 5% 1/6W	R168	1-247-867-00	CARBON	33K 5% 1/6W
R108	1-247-855-00	CARBON	10K 5% 1/6W	R170	1-247-859-00	CARBON	15K 5% 1/6W
R109	1-247-823-00	CARBON	470 5% 1/6W	R171	1-247-879-00	CARBON	100K 5% 1/6W
R110	1-247-823-00	CARBON	470 5% 1/6W	R173	1-247-847-00	CARBON	4.7K 5% 1/6W
R111	1-247-839-00	CARBON	2.2K 5% 1/6W	R176	1-247-887-00	CARBON	220K 5% 1/6W
R112	1-247-827-00	CARBON	680 5% 1/6W	R177	1-247-879-00	CARBON	100K 5% 1/6W
R113	1-247-817-00	CARBON	270 5% 1/6W	R178	1-247-883-00	CARBON	150K 5% 1/6W

B

Ref.No.	Part No.	Description	Remark	Ref.No.	Part No.	Description	Remark
R179	1-247-875-00	CARBON	68K 5% 1/6W	R234	1-247-815-00	CARBON	220 5% 1/6W
R180	1-247-831-00	CARBON	1K 5% 1/6W	R235	1-247-823-00	CARBON	470 5% 1/6W
R181	1-247-855-00	CARBON	10K 5% 1/6W	R236	1-247-807-00	CARBON	100 5% 1/6W
R182	1-247-871-00	CARBON	47K 5% 1/6W	R237	1-247-815-00	CARBON	220 5% 1/6W
R183	1-247-843-00	CARBON	3.3K 5% 1/6W	R238	1-247-867-00	CARBON	33K 5% 1/6W
R184	1-247-833-00	CARBON	1.2K 5% 1/6W	R239	1-247-877-00	CARBON	82K 5% 1/6W
R185	1-247-877-00	CARBON	82K 5% 1/6W	R240	1-247-841-00	CARBON	2.7K 5% 1/6W
R186	1-247-823-00	CARBON	470 5% 1/6W	R241	1-247-863-00	CARBON	22K 5% 1/6W
R187	1-247-865-00	CARBON	27K 5% 1/6W	R242	1-247-854-00	CARBON	9.1K 5% 1/6W
R188	1-247-867-00	CARBON	33K 5% 1/6W	R243	1-247-857-00	CARBON	12K 5% 1/6W
R189	1-247-875-00	CARBON	68K 5% 1/6W	R244	1-247-843-00	CARBON	3.3K 5% 1/6W
R190	1-247-867-00	CARBON	33K 5% 1/6W	R245	1-247-849-00	CARBON	5.6K 5% 1/6W
R191	1-247-871-00	CARBON	47K 5% 1/6W	R246	1-247-855-00	CARBON	10K 5% 1/6W
R192	1-247-839-00	CARBON	2.2K 5% 1/6W	R247	1-247-859-00	CARBON	15K 5% 1/6W
R193	1-247-845-00	CARBON	3.9K 5% 1/6W	R248	1-247-839-00	CARBON	2.2K 5% 1/6W
R194	1-247-859-00	CARBON	15K 5% 1/6W	R249	1-247-871-00	CARBON	47K 5% 1/6W
R195	1-247-839-00	CARBON	2.2K 5% 1/6W	R250	1-247-885-00	CARBON	180K 5% 1/6W
R196	1-247-865-00	CARBON	27K 5% 1/6W	R251	1-247-849-00	CARBON	5.6K 5% 1/6W
R197	1-247-827-00	CARBON	680 5% 1/6W	R252	1-247-853-00	CARBON	8.2K 5% 1/6W
R198	1-247-827-00	CARBON	680 5% 1/6W	R253	1-247-843-00	CARBON	3.3K 5% 1/6W
R199	1-247-831-00	CARBON	1K 5% 1/6W	R254	1-247-855-00	CARBON	10K 5% 1/6W
R200	1-247-879-00	CARBON	100K 5% 1/6W	R255	1-247-831-00	CARBON	1K 5% 1/6W
R201	1-247-903-00	CARBON	1M 5% 1/6W	R256	1-247-853-00	CARBON	8.2K 5% 1/6W
R202	1-247-903-00	CARBON	1M 5% 1/6W	R258	1-247-839-00	CARBON	2.2K 5% 1/6W
R203	1-247-855-00	CARBON	10K 5% 1/6W	R259	1-247-853-00	CARBON	8.2K 5% 1/6W
R204	1-247-855-00	CARBON	10K 5% 1/6W	R260	1-247-875-00	CARBON	68K 5% 1/6W
R205	1-247-855-00	CARBON	10K 5% 1/6W	R261	1-247-855-00	CARBON	10K 5% 1/6W
R206	1-247-875-00	CARBON	68K 5% 1/6W	R262	1-247-879-00	CARBON	100K 5% 1/6W
R207	1-247-815-00	CARBON	220 5% 1/6W	R263	1-247-855-00	CARBON	10K 5% 1/6W
R208	1-247-855-00	CARBON	10K 5% 1/6W	R264	1-247-875-00	CARBON	68K 5% 1/6W
R209	1-247-867-00	CARBON	33K 5% 1/6W	R265	1-247-855-00	CARBON	10K 5% 1/6W
R210	1-247-815-00	CARBON	220 5% 1/6W	R266	1-247-855-00	CARBON	10K 5% 1/6W
R211	1-247-815-00	CARBON	220 5% 1/6W	R267	1-247-875-00	CARBON	68K 5% 1/6W
R212	1-247-845-00	CARBON	3.9K 5% 1/6W	R268	1-247-875-00	CARBON	68K 5% 1/6W
R213	1-247-815-00	CARBON	220 5% 1/6W	R269	1-247-855-00	CARBON	10K 5% 1/6W
R214	1-247-815-00	CARBON	220 5% 1/6W	R270	1-247-827-00	CARBON	680 5% 1/6W
R215	1-247-847-00	CARBON	4.7K 5% 1/6W	R271	1-247-179-00	CARBON	100K 5% 1/4W
R216	1-247-879-00	CARBON	100K 5% 1/6W	R272	1-246-517-25	CARBON	68K 5% 1/4W
R217	1-247-879-00	CARBON	100K 5% 1/6W	R273	1-246-545-00	CARBON	1M 5% 1/4W
R218	1-247-855-00	CARBON	10K 5% 1/6W	R274	1-247-171-00	CARBON	47K 5% 1/4W
R219	1-247-849-00	CARBON	5.6K 5% 1/6W	R275	1-247-855-00	CARBON	10K 5% 1/6W
R220	1-247-867-00	CARBON	33K 5% 1/6W	R276	1-247-859-00	CARBON	15K 5% 1/6W
R221	1-247-867-00	CARBON	33K 5% 1/6W	R277	1-247-829-00	CARBON	820 5% 1/6W
R222	1-247-875-00	CARBON	68K 5% 1/6W	R278	1-247-839-00	CARBON	2.2K 5% 1/6W
R223	1-247-849-00	CARBON	5.6K 5% 1/6W	R279	1-247-167-00	CARBON	33K 5% 1/4W
R224	1-247-891-00	CARBON	330K 5% 1/6W	R280	1-247-871-00	CARBON	47K 5% 1/6W
R225	1-247-879-00	CARBON	100K 5% 1/6W	R281	1-247-859-00	CARBON	15K 5% 1/6W
R226	1-247-878-00	CARBON	91K 5% 1/6W	R282	1-247-839-00	CARBON	2.2K 5% 1/8W F
R228	1-247-835-00	CARBON	1.5K 5% 1/6W	R283	1-247-847-00	CARBON	4.7K 5% 1/6W
R230	1-247-847-00	CARBON	4.7K 5% 1/6W	R284	1-247-853-00	CARBON	8.2K 5% 1/6W
R231	1-247-873-00	CARBON	56K 5% 1/6W	R285	1-247-843-00	CARBON	3.3K 5% 1/6W
R232	1-247-821-00	CARBON	390 5% 1/6W	R286	1-247-843-00	CARBON	3.3K 5% 1/6W
R233	1-247-815-00	CARBON	220 5% 1/6W	R287	1-247-903-00	CARBON	1M 5% 1/6W



Ref.No.	Part No.	Description	Remark
R288	1-247-879-00	CARBON 100K 5%	1/6W
R290	1-247-855-00	CARBON 10K 5%	1/6W
R291	1-247-855-00	CARBON 10K 5%	1/6W
R292	1-247-071-00	CARBON 1 5%	1/4W
R293	1-247-841-00	CARBON 2.7K 5%	1/6W
R294	1-247-807-00	CARBON 100 5%	1/6W
R295	1-247-855-00	CARBON 10K 5%	1/6W
R296	1-247-179-00	CARBON 100K 5%	1/4W
R297	1-247-871-00	CARBON 47K 5%	1/6W
R298	1-247-871-00	CARBON 47K 5%	1/6W
R299	1-247-823-00	CARBON 470 5%	1/6W
R301	1-247-658-00	CARBON 47 5%	1/4W
R302	1-247-871-00	CARBON 47K 5%	1/6W
R303	1-247-827-00	CARBON 680 5%	1/6W
R304	1-247-827-00	CARBON 680 5%	1/6W
R305	1-247-827-00	CARBON 680 5%	1/6W
R306	1-247-883-00	CARBON 150K 5%	1/6W
R307	1-247-819-00	CARBON 330 5%	1/6W
R308	1-247-865-00	CARBON 27K 5%	1/6W
R309	1-247-815-00	CARBON 220 5%	1/6W
R310	1-247-843-00	CARBON 3.3K 5%	1/6W
R311	1-247-872-00	CARBON 51K 5%	1/6W
R312	1-247-839-00	CARBON 2.2K 5%	1/6W
R313	1-247-847-00	CARBON 4.7K 5%	1/6W
R314	1-247-867-00	CARBON 33K 5%	1/6W
R315	1-247-835-00	CARBON 1.5K 5%	1/6W
R316	1-247-835-00	CARBON 1.5K 5%	1/6W
R317	1-247-127-00	CARBON 680 5%	1/4W
R318	1-247-813-00	CARBON 180 5%	1/6W
R319	1-247-823-00	CARBON 470 5%	1/6W
R322	1-247-851-00	CARBON 6.8K 5%	1/6W
R324	1-247-127-00	CARBON 680 5%	1/4W
R325	1-247-855-00	CARBON 10K 5%	1/6W
R326	1-247-845-00	CARBON 3.9K 5%	1/6W
R328	1-247-837-00	CARBON 1.8K 5%	1/6W
R329	1-247-845-00	CARBON 3.9K 5%	1/6W
R332	1-247-873-00	CARBON 56K 5%	1/6W
R348	1-247-857-00	CARBON 12K 5%	1/6W
R349	1-247-855-00	CARBON 10K 5%	1/6W

VARIABLE RESISTOR

RV101	1-226-845-00	RES, ADJ, CARBON 330
RV103	1-226-849-00	RES, ADJ, CARBON 3.3K
RV104	1-226-852-00	RES, ADJ, CARBON 22K
RV105	1-226-852-00	RES, ADJ, CARBON 22K
RV106	1-226-849-00	RES, ADJ, CARBON 3.3K
RV107	1-228-724-00	RES, ADJ, CARBON 10K
RV108	1-226-850-00	RES, ADJ, CARBON 4.7K
RV109	1-226-850-00	RES, ADJ, CARBON 4.7K
RV110	1-226-846-00	RES, ADJ, CARBON 470
RV111	1-226-853-00	RES, ADJ, CARBON 47K

Ref.No.	Part No.	Description	Remark
SWITCH			
S1	1-553-725-00	SWITCH, SLIDE	
S2	1-553-725-00	SWITCH, SLIDE	
S3	1-553-725-00	SWITCH, SLIDE	
TRANSFORMER			
T101	1-408-513-00	COIL (VARIABLE)	
T102	1-409-193-00	COIL 3.58MHZ TRAP	
T103	1-409-193-00	COIL 3.58MHZ TRAP	
T104	1-404-081-00	TRANSFORMER, DELAY ADJUST	
T201	1-404-146-00	TRANSFORMER	
T202	1-408-532-00	COIL, VARIABLE	
T203	1-408-532-00	COIL, VARIABLE	
T204	1-408-513-00	COIL (VARIABLE)	
THERMISTOR			
TH101	1-800-070-XX	THERMISTOR TH-4700	
TH201	1-800-626-00	THERMISTOR	
CRYSTAL			
X101	1-527-396-00	CRYSTAL, OSC	
X102	1-527-345-00	CRYSTAL, OSC	

*A-1245-230-A F BOARD, COMPLETE			

CAPACITOR			
C601	△.1-108-745-52	MYLAR 0.22MF	20% 125V
C602	△.1-108-745-52	MYLAR 0.22MF	20% 125V
C603	△.1-161-953-51	CERAMIC 0.0047MF	20% 400V
C604	△.1-161-953-51	CERAMIC 0.0047MF	20% 400V
C605	△.1-161-953-51	CERAMIC 0.0047MF	20% 400V
C606	△.1-161-953-51	CERAMIC 0.0047MF	20% 400V
C607	△.1-161-953-51	CERAMIC 0.0047MF	20% 400V
C608	1-161-953-00	CERAMIC 0.0047MF	20% 400V
C609	1-161-953-00	CERAMIC 0.0047MF	20% 400V
C610	△.1-161-953-51	CERAMIC 0.0047MF	20% 400V
C611	1-125-260-00	ELECT (BLOCK) 470MF	200V
C612	1-123-335-00	ELECT 330MF	25V
C613	1-136-071-00	FILM 0.0057MF	3% 2KV
C614	1-123-337-00	ELECT 1000MF	20% 25V
C615	1-123-333-00	ELECT 100MF	20% 16V
C616	1-123-381-00	ELECT 2.2MF	20% 50V
C617	1-102-125-00	CERAMIC 0.0047MF	10% 50V
C619	1-106-180-00	MYLAR 0.0022MF	10% 100V
C621	1-123-356-00	ELECT 10MF	20% 16V
C622	1-102-121-00	CERAMIC 0.0022MF	10% 50V
C623	1-101-004-00	CERAMIC 0.01MF	50V
C624	1-123-381-00	ELECT 2.2MF	20% 50V
C625	1-123-380-00	ELECT 1MF	20% 50V
C626	1-102-095-00	CERAMIC 330PF	20% 1KV

The components identified by shading and mark **△** are critical for safety. Replace only with part number specified.

Les composants identifiés par une trame et une marque **△** sont critiques pour la sécurité. Ne les remplacer que par une pièce portant le numéro spécifié.

Ref.No.	Part No.	Description	Remark	Ref.No.	Part No.	Description	Remark
C627	1-123-024-00	ELECT 33MF	160V			<u>IC</u>	
C628	1-123-024-00	ELECT 33MF	160V				
C629	1-123-360-00	ELECT 100MF	20% 50V	IC601	8-759-100-75	IC UPC1394C	
C630	1-123-998-00	ELECT 470MF	20% 25V			<u>COIL</u>	
C631	1-123-998-00	ELECT 470MF	20% 25V				
C632	1-123-323-00	ELECT 470MF	20% 16V	L601	1-408-225-00	MICRO INDUCTOR 3.3UH	
C635	1-102-123-00	CERAMIC 0.0033MF	10% 50V	L602	1-407-365-00	COIL, CHOKE (HIGH FREQUENCY)	
C640	1-161-953-51	CERAMIC 0.0047MF	20% 400V	L603	1-407-687-00	MICRO INDUCTOR 3.3UH	
C643	1-123-333-00	ELECT 100MF	20% 16V	L609	1-459-155-00	COIL (WITH CORE) 45MH	
C644	1-123-334-00	ELECT 220MF	20% 25V	L610	1-459-155-00	COIL (WITH CORE) 45MH	
C645	1-123-334-00	ELECT 220MF	20% 25V	L612	1-459-155-00	COIL (WITH CORE) 45MH	
C646	1-123-359-00	ELECT 47MF	20% 50V	L613	1-407-687-00	MICRO INDUCTOR 3.3UH	
C647	1-123-024-00	ELECT 33MF	160V	L615	1-407-364-00	COIL, SPOOK CHOKE 3.3UH	
C648	1-161-742-12	CERAMIC 0.0022MF	20% 400V			<u>TRANSISTOR</u>	
C649	1-161-742-12	CERAMIC 0.0022MF	20% 400V				
C650	1-108-745-52	MYLAR 0.22MF	20% 125V	Q601	8-729-168-82	TRANSISTOR 2SC2688	
C656	1-101-004-00	CERAMIC 0.01MF	50V	Q602	8-729-313-82	TRANSISTOR 2SD1138	
C657	1-101-004-00	CERAMIC 0.01MF	50V		*4-347-706-00	HEAT SINK (TR), Q602	
C658	1-108-429-00	MYLAR 0.047MF	10% 200V	Q603	8-729-103-43	TRANSISTOR 2SB734	
C659	1-102-820-00	CERAMIC 330PF	5% 50V	Q604	8-729-177-43	TRANSISTOR 2SD774	
C660	1-101-004-00	CERAMIC 0.01MF	50V	Q605	8-729-802-07	TRANSISTOR 2SD1403-CA	
C665	1-123-027-00	ELECT 2.2MF	250V		4-363-414-00	SPACER, MICA, Q605	
		<u>DIODE</u>			*4-367-204-00	HOLDER (REG OUT), TRANSFORMER, Q605	
				Q606	8-729-177-43	TRANSISTOR 2SD774	
D601	8-719-503-06	DIODE S3WB60Z				<u>RESISTOR</u>	
D602	8-719-100-77	DIODE RD18E-B2		R601	1-202-727-51	SOLID 4.7M 10% 1/2W	
D603	8-719-911-55	DIODE U05G		R602	1-202-730-11	SOLID 8.2M 10% 1/2W	
D604	8-719-924-06	DIODE ERC24-06S		R603	1-244-919-51	CARBON 82K 5% 1/2W	
D605	8-719-924-06	DIODE ERC24-06S		R604	1-206-671-00	METAL OXIDE 2K 5% 2W F	
D606	8-719-911-55	DIODE U05G		R605	1-247-847-00	CARBON 4.7K 5% 1/6W	
D607	8-719-300-76	DIODE RH-1A		R606	1-217-266-00	WIREWOUND 27 10% 3W F	
D608	8-719-102-74	DIODE RD6.2E-N2		R607	1-247-805-00	CARBON 82 5% 1/6W	
D609	8-719-901-83	DIODE ISS83		R608	1-207-904-00	WIREWOUND 0.12 10% 2W F	
D610	8-719-100-87	DIODE RD22E-B3		R609	1-217-320-11	WIREWOUND 680 10% 5W F	
D611	8-719-901-83	DIODE ISS83		R610	1-217-320-11	WIREWOUND 680 10% 5W F	
D612	8-719-900-26	DIODE ERD29-08J		R611	1-213-145-00	METAL OXIDE 1.5K 5% 1W F	
D613	8-719-901-93	DIODE V19E		R612	1-247-870-00	CARBON 43K 5% 1/6W	
D614	8-719-901-93	DIODE V19E		R613	1-247-819-00	CARBON 330 5% 1/6W	
D615	8-719-981-00	DIODE ERC81-004		R614	1-215-437-00	METAL 4.7K 1% 1/6W	
D616	8-719-981-00	DIODE ERC81-004		R615	1-215-437-00	METAL 4.7K 1% 1/6W	
		<u>CONNECTOR</u>		R616	1-247-843-00	CARBON 3.3K 5% 1/6W	
F1	*1-506-349-21	3P PLUG (L)		R618	1-247-881-00	CARBON 120K 5% 1/6W	
F3	*1-508-765-00	3P PLUG (M)		R619	1-247-895-00	CARBON 470K 5% 1/6W	
F4	*1-560-290-00	PLUG, CONNECTOR (2.5MM PITCH)		R620	1-247-865-00	CARBON 27K 5% 1/6W	
F6	*1-508-766-00	4P PLUG (M)		R621	1-247-855-00	CARBON 10K 5% 1/6W	
F7	*1-560-124-00	PLUG, CONNECTOR (2.5MM PITCH)		R622	1-215-441-00	METAL 6.8K 1% 1/6W	
F8	*1-560-123-00	PLUG, CONNECTOR (2.5MM) 3P		R624	1-215-456-00	METAL 30K 1% 1/6W	
		<u>FUSE</u>		R625	1-247-855-00	CARBON 10K 5% 1/6W	
F601	1-532-656-11	FUSE, GLASS TUBE 6.3A		R626	1-247-807-00	CARBON 100 5% 1/6W	
	1-533-087-00	HOLDER, FUSE, F601		R627	1-247-871-00	CARBON 47K 5% 1/6W	
				R628	1-247-831-00	CARBON 1K 5% 1/6W	
				R629	1-247-829-00	CARBON 820 5% 1/6W	

The components identified by shading and mark Δ are critical for safety. Replace only with part number specified.

Les composants identifiés par une trame et une marque Δ sont critiques pour la sécurité. Ne les remplacer que par une pièce portant le numéro spécifié.

F **F₂** **Q**

Ref.No.	Part No.	Description	Remark	Ref.No.	Part No.	Description	Remark
R630	1-247-815-00	CARBON 220 5% 1/6W		*A-1275-055-A	Q BOARD, COMPLETE *****		
R631	1-213-163-00	METAL OXIDE 47K 5% 1W	F				
R632	1-247-807-00	CARBON 100 5% 1/8W	F				
⊗R640		METAL 1/6W		1-408-408-00	MICRO INDUCTOR 8.2UH		
R643	1-212-352-00	METAL OXIDE 0.22 5% 1W	F	1-536-843-11	TERMINAL BOARD, INPUT/OUTPUT (B)		
				*4-603-275-00	LOCK, SCREW		
R644	1-217-418-00	FUSIBLE 0.47 10% 1/2W	F	<u>CAPACITOR</u>			
R645	1-212-356-00	METAL OXIDE 0.47 5% 1W	F	C402	1-123-356-00	ELECT 10MF 20% 25V	
R646	1-212-356-00	METAL OXIDE 0.47 5% 1W	F	C403	1-102-949-00	CERAMIC 12PF 5% 50V	
R647	1-212-352-00	METAL OXIDE 0.22 5% 1W	F	C405	1-123-380-00	ELECT 1MF 20% 50V	
R648	1-202-841-00	SOLID 180K 1/2W		C407	1-123-356-00	ELECT 10MF 20% 25V	
R649	1-202-433-35	SOLID 120K 10% 1/4W		C408	1-102-949-00	CERAMIC 12PF 5% 50V	
R650	1-247-831-00	CARBON 1K 5% 1/6W					
R659	1-217-286-11	WIREWOUND 10% 5W	F	C410	1-123-380-00	ELECT 1MF 20% 50V	
R660	1-247-692-11	CARBON 22 5% 1/4W	F	C412	1-123-356-00	ELECT 10MF 20% 25V	
R665	1-247-173-00	CARBON 56K 5% 1/4W		C413	1-102-949-00	CERAMIC 12PF 5% 50V	
R666	1-247-791-00	CARBON 22 5% 1/8W	F	C415	1-123-380-00	ELECT 1MF 20% 50V	
<u>VARIABLE RESISTOR</u>				C417	1-123-332-00	ELECT 47MF 20% 25V	
RV601	1-224-249-XX	RES, ADJ, METAL GLAZE 1K		C419	1-106-212-00	MYLAR 0.047MF 10% 100V	
<u>TRANSFORMER</u>				C420	1-123-380-00	ELECT 1MF 20% 50V	
T601	1-421-556-21	TRANSFORMER, LINE FILTER (LFT)		C422	1-106-212-00	MYLAR 0.047MF 10% 100V	
T602	1-421-556-21	TRANSFORMER, LINE FILTER (LFT)		C423	1-123-380-00	ELECT 1MF 20% 50V	
T603	1-421-692-11	SRT		C424	1-123-323-00	ELECT 470MF 20% 16V	
T604	1-421-678-11	TRANSFORMER, PULS					
<u>THERMISTOR</u>				C426	1-123-234-00	ELECT 10MF 20% 50V	
⊗THP601	1-800-686-32	THERMISTOR (POSITIVE)		C428	1-123-234-00	ELECT 10MF 20% 50V	
THP602	1-806-449-11	THERMISTOR (POSITIVE)		C430	1-123-234-00	ELECT 10MF 20% 50V	
*****				C432	1-123-332-00	ELECT 47MF 20% 25V	
	*1-613-847-11	F2 BOARD *****		C433	1-123-356-00	ELECT 10MF 20% 25V	
	*1-564-315-00	PIN ASSY, BOARD TO BOARD 7P		C434	1-102-820-00	CERAMIC 330PF 5% 50V	
<u>CAPACITOR</u>				C435	1-123-332-00	ELECT 47MF 20% 25V	
C655	1-123-381-00	ELECT 2.2MF 20% 50V		C436	1-101-006-00	CERAMIC 0.047MF 50V	
<u>DIODE</u>				C437	1-123-234-00	ELECT 10MF 20% 50V	
D617	8-729-101-31	TRANSISTOR N13T1		C438	1-123-369-00	ELECT 4.7MF 20% 25V	
D620	8-719-102-90	DIODE RD10E-N2					
<u>TRANSISTOR</u>				C441	1-101-006-00	CERAMIC 0.047MF 50V	
Q609	8-729-245-83	TRANSISTOR 2SC2458		C443	1-106-212-00	MYLAR 0.047MF 10% 100V	
<u>RESISTOR</u>				C444	1-106-196-00	MYLAR 0.01MF 10% 100V	
R655	1-244-919-51	CARBON 82K 5% 1/2W		C446	1-123-379-00	ELECT 0.47MF 20% 50V	
R656	1-247-863-00	CARBON 22K 5% 1/6W		C447	1-123-379-00	ELECT 0.47MF 20% 50V	
R657	1-247-807-00	CARBON 100 5% 1/6W					
R658	1-247-883-00	CARBON 150K 5% 1/6W		C448	1-123-379-00	ELECT 0.47MF 20% 50V	
				C452	1-123-382-00	ELECT 3.3MF 20% 50V	
				C453	1-123-228-00	ELECT 1MF 20% 50V	
				C455	1-101-006-00	CERAMIC 0.047MF 50V	
				C457	1-102-820-00	CERAMIC 330PF 5% 50V	
				C459	1-102-820-00	CERAMIC 330PF 5% 50V	
				C461	1-102-820-00	CERAMIC 330PF 5% 50V	
				C463	1-123-356-00	ELECT 10MF 20% 25V	
				C464	1-123-332-00	ELECT 47MF 20% 25V	
				C466	1-123-332-00	ELECT 47MF 20% 25V	
				C467	1-101-006-00	CERAMIC 0.047MF 50V	
				C468	1-101-006-00	CERAMIC 0.047MF 50V	
				C469	1-106-196-00	MYLAR 0.01MF 10% 100V	
				C489	1-123-332-00	ELECT 47MF 20% 25V	
				C490	1-123-332-00	ELECT 47MF 20% 25V	

• The components identified by ⊗ in this manual have been carefully factory-selected for each set in order to satisfy regulations regarding X-ray radiation. Select the resistance value according to SAFETY RELATED ADJUSTMENT.

The components identified by shading and mark ⊗ are critical for safety. Replace only with part number specified.

Les composants identifiés par une trame et une marque ⊗ sont critiques pour la sécurité. Ne les remplacer que par une pièce portant le numéro spécifié.



Ref.No.	Part No.	Description	Remark	Ref.No.	Part No.	Description	Remark
C491	1-123-332-00	ELECT 47MF 20%	25V		1-533-087-00	HOLDER, FUSE, F403	
C492	1-123-332-00	ELECT 47MF 20%	25V	F404 ▲	1-532-580-11	FUSE, GLASS TUBE 0.5A 125V	
C493	1-101-361-00	CERAMIC 150PF 5%	50V		1-533-087-00	HOLDER, FUSE, F404	
C494	1-106-196-00	MYLAR 0.01MF 10%	100V				
C495	1-101-006-00	CERAMIC 0.047MF	50V				
						IC	
C497	1-123-356-00	ELECT 10MF 20%	25V	IC401	8-752-201-90	IC CX22019	
				IC402	8-759-900-09	IC SN74LS09N	
				IC403	8-759-901-36	IC SN74LS136N	
				IC404	8-759-900-08	IC SN74LS08N	
				IC405	8-759-900-08	IC SN74LS08N	
				IC406	8-759-900-04	IC SN74LS04N	
				IC407	8-759-900-00	IC SN74LS00N	
				IC408	8-759-900-20	IC SN74LS20N	
				IC409	8-759-901-38	IC SN74LS138N	
				REG401	8-759-171-05	IC UPC7805H	
				REG402	8-759-700-06	IC UPC7812H	
						COIL	
				L407	1-408-163-00	MICRO INDUCTOR 5.6MMH	
						TRANSISTOR	
				Q401	8-729-204-83	TRANSISTOR 2SA1048GR	
				Q402	8-729-245-83	TRANSISTOR 2SC2458	
				Q403	8-729-204-83	TRANSISTOR 2SA1048GR	
				Q404	8-729-245-83	TRANSISTOR 2SC2458	
				Q405	8-729-204-83	TRANSISTOR 2SA1048GR	
				Q406	8-729-245-83	TRANSISTOR 2SC2458	
				Q407	8-729-204-83	TRANSISTOR 2SA1048GR	
				Q408	8-729-204-83	TRANSISTOR 2SA1048GR	
				Q409	8-729-245-83	TRANSISTOR 2SC2458	
				Q410	8-729-204-83	TRANSISTOR 2SA1048GR	
				Q411	8-729-245-83	TRANSISTOR 2SC2458	
				Q412	8-729-245-83	TRANSISTOR 2SC2458	
				Q413	8-729-245-83	TRANSISTOR 2SC2458	
				Q414	8-729-204-83	TRANSISTOR 2SA1048GR	
				Q415	8-729-245-83	TRANSISTOR 2SC2458	
				Q416	8-729-245-83	TRANSISTOR 2SC2458	
				Q417	8-729-245-83	TRANSISTOR 2SC2458	
				Q418	8-729-204-83	TRANSISTOR 2SA1048GR	
				Q419	8-729-245-83	TRANSISTOR 2SC2458	
				Q420	8-729-245-83	TRANSISTOR 2SC2458	
				Q421	8-729-245-83	TRANSISTOR 2SC2458	
				Q422	8-729-245-83	TRANSISTOR 2SC2458	
				Q423	8-729-245-83	TRANSISTOR 2SC2458	
				Q424	8-729-204-83	TRANSISTOR 2SA1048GR	
				Q425	8-729-245-83	TRANSISTOR 2SC2458	
				Q426	8-729-245-83	TRANSISTOR 2SC2458	
				Q429	8-729-245-83	TRANSISTOR 2SC2458	
				Q430	8-729-204-83	TRANSISTOR 2SA1048GR	
				Q431	8-729-245-83	TRANSISTOR 2SC2458	
				Q433	8-729-204-83	TRANSISTOR 2SA1048GR	
				Q434	8-729-204-83	TRANSISTOR 2SA1048GR	

Ref.No.	Part No.	Description	Remark
C491	1-123-332-00	ELECT 47MF 20%	25V
C492	1-123-332-00	ELECT 47MF 20%	25V
C493	1-101-361-00	CERAMIC 150PF 5%	50V
C494	1-106-196-00	MYLAR 0.01MF 10%	100V
C495	1-101-006-00	CERAMIC 0.047MF	50V

CONNECTOR

CN407	*1-562-243-00	CONNECTOR 25P	
Q1	*1-560-124-00	PLUG, CONNECTOR (2.5MM) 4P	
Q2	*1-560-124-00	PLUG, CONNECTOR (2.5MM) 4P	
Q3	*1-560-224-00	PLUG, CONNECTOR (2.5MM) 10P	
Q4	*1-560-125-00	PLUG, CONNECTOR (2.5MM) 5P	
Q5	*1-560-126-00	PLUG, CONNECTOR (2.5MM) 6P	
Q7	*1-560-128-00	PLUG, CONNECTOR (2.5MM PITCH)	

DIODE

D401	8-719-911-19	DIODE 1SS119	
D402	8-719-911-19	DIODE 1SS119	
D403	8-719-911-19	DIODE 1SS119	
D404	8-719-100-37	DIODE RD6.2E-B1	
D405	8-719-100-37	DIODE RD6.2E-B1	
D406	8-719-100-37	DIODE RD6.2E-B1	
D407	8-719-100-37	DIODE RD6.2E-B1	
D408	8-719-911-19	DIODE 1SS119	
D409	8-719-911-19	DIODE 1SS119	
D410	8-719-911-19	DIODE 1SS119	
D411	8-719-911-19	DIODE 1SS119	
D412	8-719-911-19	DIODE 1SS119	
D414	8-719-911-19	DIODE 1SS119	
D415	8-719-911-19	DIODE 1SS119	
D416	8-719-911-19	DIODE 1SS119	
D418	8-719-100-37	DIODE RD6.2E-B1	
D419	8-719-100-37	DIODE RD6.2E-B1	
D420	8-719-911-19	DIODE 1SS119	
D422	8-719-100-37	DIODE RD6.2E-B1	
D423	8-719-100-22	DIODE RD4.3E-B1	
D424	8-719-911-19	DIODE 1SS119	
D425	8-719-100-26	DIODE RD4.7E-B1	
D426	8-719-100-37	DIODE RD6.2E-B1	
D427	8-719-100-37	DIODE RD6.2E-B1	
D428	8-719-100-37	DIODE RD6.2E-B1	
D435	8-719-911-19	DIODE 1SS119	
D436	8-719-911-19	DIODE 1SS119	
D437	8-719-911-19	DIODE 1SS119	

FUSE

F401 ▲	1-532-580-11	FUSE, GLASS TUBE	
	1-533-087-00	HOLDER, FUSE, F401	
F402 ▲	1-532-536-11	FUSE, GLASS-TUBE 1A 125V	
	1-533-087-00	HOLDER, FUSE, F402	
F403 ▲	1-532-580-11	FUSE, GLASS TUBE	

The components identified by shading and mark ▲ are critical for safety. Replace only with part number specified.

Les composants identifiés par une trame et une marque ▲ sont critiques pour la sécurité. Ne les remplacer que par une pièce portant le numéro spécifié.

Q

Ref.No.	Part No.	Description	Remark	Ref.No.	Part No.	Description	Remark
Q435	8-729-204-83	TRANSISTOR 2SA1048GR		R410	1-247-878-00	CARBON 91K 5%	1/6W
Q442	8-729-245-83	TRANSISTOR 2SC2458		R411	1-247-833-00	CARBON 1.2K 5%	1/6W
Q443	8-729-245-83	TRANSISTOR 2SC2458		R412	1-247-865-00	CARBON 27K 5%	1/6W
Q444	8-729-245-83	TRANSISTOR 2SC2458		R413	1-247-853-00	CARBON 8.2K 5%	1/6W
Q445	8-729-204-83	TRANSISTOR 2SA1048GR		R414	1-247-829-00	CARBON 820 5%	1/6W
Q446	8-729-204-83	TRANSISTOR 2SA1048GR		R415	1-247-104-00	CARBON 75 5%	1/4W
Q447	8-729-245-83	TRANSISTOR 2SC2458		R416	1-247-131-00	CARBON 1K 5%	1/4W
Q448	8-729-204-83	TRANSISTOR 2SA1048GR		R417	1-247-878-00	CARBON 91K 5%	1/6W
Q449	8-729-245-83	TRANSISTOR 2SC2458		R418	1-247-833-00	CARBON 1.2K 5%	1/6W
Q450	8-729-204-83	TRANSISTOR 2SA1048GR		R419	1-247-865-00	CARBON 27K 5%	1/6W
Q451	8-729-245-83	TRANSISTOR 2SC2458		R420	1-247-853-00	CARBON 8.2K 5%	1/6W
Q452	8-729-204-83	TRANSISTOR 2SA1048GR		R421	1-247-829-00	CARBON 820 5%	1/6W
Q453	8-729-245-83	TRANSISTOR 2SC2458		R422	1-247-173-00	CARBON 56K 5%	1/4W
Q454	8-729-204-83	TRANSISTOR 2SA1048GR		R423	1-247-885-00	CARBON 180K 5%	1/6W
Q455	8-729-245-83	TRANSISTOR 2SC2458		R424	1-247-877-00	CARBON 82K 5%	1/6W
Q456	8-729-245-83	TRANSISTOR 2SC2458		R425	1-247-871-00	CARBON 47K 5%	1/6W
Q457	8-729-204-83	TRANSISTOR 2SA1048GR		R426	1-247-851-00	CARBON 6.8K 5%	1/6W
		<u>RESISTOR</u>		R427	1-247-847-00	CARBON 4.7K 5%	1/6W
R351	1-247-855-00	CARBON 10K 5%	1/6W	R428	1-247-173-00	CARBON 56K 5%	1/4W
R352	1-247-815-00	CARBON 220 5%	1/6W	R429	1-247-885-00	CARBON 180K 5%	1/6W
R353	1-247-855-00	CARBON 10K 5%	1/6W	R430	1-247-877-00	CARBON 82K 5%	1/6W
R354	1-247-815-00	CARBON 220 5%	1/6W	R431	1-247-871-00	CARBON 47K 5%	1/6W
R355	1-247-807-00	CARBON 100 5%	1/6W	R432	1-247-851-00	CARBON 6.8K 5%	1/6W
R356	1-247-127-00	CARBON 680 5%	1/4W	R433	1-247-847-00	CARBON 4.7K 5%	1/6W
R357	1-247-127-00	CARBON 680 5%	1/4W	R434	1-247-807-00	CARBON 100 5%	1/6W
R358	1-247-827-00	CARBON 680 5%	1/6W	R435	1-247-879-00	CARBON 100K 5%	1/6W
R359	1-247-827-00	CARBON 680 5%	1/6W	R436	1-247-103-00	CARBON 68 5%	1/4W
R361	1-247-127-00	CARBON 680 5%	1/4W	R437	1-247-131-00	CARBON 1K 5%	1/4W
R362	1-247-127-00	CARBON 680 5%	1/4W	R438	1-247-839-00	CARBON 2.2K 5%	1/6W
R364	1-247-827-00	CARBON 680 5%	1/6W	R439	1-247-155-00	CARBON 10K 5%	1/4W
R365	1-247-127-00	CARBON 680 5%	1/4W	R440	1-247-878-00	CARBON 91K 5%	1/6W
R366	1-247-115-00	CARBON 220 5%	1/4W	R442	1-247-865-00	CARBON 27K 5%	1/6W
R367	1-247-115-00	CARBON 220 5%	1/4W	R443	1-247-853-00	CARBON 8.2K 5%	1/6W
R368	1-247-855-00	CARBON 10K 5%	1/6W	R444	1-247-103-00	CARBON 68 5%	1/4W
R369	1-247-815-00	CARBON 220 5%	1/6W	R445	1-247-131-00	CARBON 1K 5%	1/4W
R370	1-247-815-00	CARBON 220 5%	1/6W	R446	1-247-839-00	CARBON 2.2K 5%	1/6W
R371	1-247-843-00	CARBON 3.3K 5%	1/6W	R447	1-247-155-00	CARBON 10K 5%	1/4W
R372	1-246-485-25	CARBON 3.3K 5%	1/4W	R448	1-247-878-00	CARBON 91K 5%	1/6W
R373	1-246-537-00	CARBON 470K 5%	1/4W	R450	1-247-865-00	CARBON 27K 5%	1/6W
R374	1-247-871-00	CARBON 47K 5%	1/6W	R451	1-247-853-00	CARBON 8.2K 5%	1/6W
R377	1-247-845-00	CARBON 3.9K 5%	1/6W	R452	1-247-103-00	CARBON 68 5%	1/4W
R378	1-247-855-00	CARBON 10K 5%	1/6W	R453	1-247-131-00	CARBON 1K 5%	1/4W
R379	1-247-127-00	CARBON 680 5%	1/4W	R454	1-247-839-00	CARBON 2.2K 5%	1/6W
R401	1-247-104-00	CARBON 75 5%	1/4W	R455	1-247-155-00	CARBON 10K 5%	1/4W
R402	1-247-131-00	CARBON 1K 5%	1/4W	R456	1-247-878-00	CARBON 91K 5%	1/6W
R403	1-247-878-00	CARBON 91K 5%	1/6W	R458	1-247-865-00	CARBON 27K 5%	1/6W
R404	1-247-833-00	CARBON 1.2K 5%	1/6W	R459	1-247-853-00	CARBON 8.2K 5%	1/6W
R405	1-247-865-00	CARBON 27K 5%	1/6W	R460	1-247-107-00	CARBON 100 5%	1/4W
R406	1-247-853-00	CARBON 8.2K 5%	1/6W	R461	1-247-839-00	CARBON 2.2K 5%	1/6W
R407	1-247-829-00	CARBON 820 5%	1/6W	R462	1-247-831-00	CARBON 1K 5%	1/6W
R408	1-247-104-00	CARBON 75 5%	1/4W	R463	1-247-845-00	CARBON 3.9K 5%	1/6W
R409	1-247-131-00	CARBON 1K 5%	1/4W	R465	1-247-835-00	CARBON 1.5K 5%	1/6W
				R466	1-247-819-00	CARBON 330 5%	1/6W

Q

Ref.No.	Part No.	Description	Remark	Ref.No.	Part No.	Description	Remark
R467	1-247-829-00	CARBON	820 5% 1/6W	R1433	1-247-843-00	CARBON	3.3K 5% 1/6W
R468	1-247-835-00	CARBON	1.5K 5% 1/6W	R1434	1-247-848-00	CARBON	5.1K 5% 1/6W
R469	1-247-819-00	CARBON	330 5% 1/6W	R1435	1-247-833-00	CARBON	1.2K 5% 1/6W
R470	1-247-829-00	CARBON	820 5% 1/6W	R1436	1-247-869-00	CARBON	39K 5% 1/6W
R471	1-247-835-00	CARBON	1.5K 5% 1/6W	R1437	1-247-855-00	CARBON	10K 5% 1/6W
R472	1-247-819-00	CARBON	330 5% 1/6W	R1438	1-247-849-00	CARBON	5.6K 5% 1/6W
R473	1-247-829-00	CARBON	820 5% 1/6W	R1439	1-247-847-00	CARBON	4.7K 5% 1/6W
R474	1-247-847-00	CARBON	4.7K 5% 1/6W	R1441	1-247-863-00	CARBON	22K 5% 1/6W
R475	1-247-853-00	CARBON	8.2K 5% 1/6W	R1442	1-247-901-00	CARBON	820K 5% 1/6W
R476	1-247-831-00	CARBON	1K 5% 1/6W	R1443	1-247-901-00	CARBON	820K 5% 1/6W
R477	1-247-847-00	CARBON	4.7K 5% 1/6W	R1444	1-247-901-00	CARBON	820K 5% 1/6W
R478	1-247-847-00	CARBON	4.7K 5% 1/6W	R1445	1-247-867-00	CARBON	33K 5% 1/6W
R479	1-247-847-00	CARBON	4.7K 5% 1/6W	R1446	1-247-867-00	CARBON	33K 5% 1/6W
R480	1-247-103-00	CARBON	68 5% 1/4W	R1447	1-246-527-00	CARBON	180K 5% 1/4W
R481	1-247-139-00	CARBON	2.2K 5% 1/4W	R1448	1-247-849-00	CARBON	5.6K 5% 1/6W
R482	1-247-839-00	CARBON	2.2K 5% 1/6W	R1449	1-247-839-00	CARBON	2.2K 5% 1/6W
R483	1-247-807-00	CARBON	100 5% 1/6W	R1451	1-247-831-00	CARBON	1K 5% 1/6W
R484	1-247-855-00	CARBON	10K 5% 1/6W	R1452	1-247-843-00	CARBON	3.3K 5% 1/6W
R485	1-247-878-00	CARBON	91K 5% 1/6W	R1453	1-247-831-00	CARBON	1K 5% 1/6W
R486	1-247-865-00	CARBON	27K 5% 1/6W	R1454	1-247-843-00	CARBON	3.3K 5% 1/6W
R487	1-247-853-00	CARBON	8.2K 5% 1/6W	R1455	1-247-839-00	CARBON	2.2K 5% 1/6W
R488	1-247-115-00	CARBON	220 5% 1/4W	R1456	1-247-823-00	CARBON	470 5% 1/6W
R489	1-247-147-00	CARBON	4.7K 5% 1/4W	R1457	1-247-839-00	CARBON	2.2K 5% 1/6W
R490	1-247-835-00	CARBON	1.5K 5% 1/6W	R1458	1-247-799-00	CARBON	47 5% 1/6W
R491	1-247-839-00	CARBON	2.2K 5% 1/6W	R1459	1-247-825-00	CARBON	560 5% 1/6W
R492	1-247-829-00	CARBON	820 5% 1/6W	R1460	1-247-791-00	CARBON	22 5% 1/6W
R493	1-247-819-00	CARBON	330 5% 1/6W	R1461	1-247-839-00	CARBON	2.2K 5% 1/6W
R494	1-247-847-00	CARBON	4.7K 5% 1/6W	R1462	1-247-823-00	CARBON	470 5% 1/6W
R495	1-247-863-00	CARBON	22K 5% 1/6W	R1463	1-247-839-00	CARBON	2.2K 5% 1/6W
R496	1-247-871-00	CARBON	47K 5% 1/6W	R1464	1-247-799-00	CARBON	47 5% 1/6W
R497	1-247-855-00	CARBON	10K 5% 1/6W	R1465	1-247-825-00	CARBON	560 5% 1/6W
R499	1-247-819-00	CARBON	330 5% 1/6W	R1466	1-247-791-00	CARBON	22 5% 1/6W
R661	1-247-113-00	CARBON	180 5% 1/4W	R1467	1-247-839-00	CARBON	2.2K 5% 1/6W
R662	1-247-113-00	CARBON	180 5% 1/4W	R1468	1-247-823-00	CARBON	470 5% 1/6W
R663	1-247-113-00	CARBON	180 5% 1/4W	R1469	1-247-839-00	CARBON	2.2K 5% 1/6W
R664	1-247-821-00	CARBON	390 5% 1/6W	R1470	1-247-799-00	CARBON	47 5% 1/6W
R665	1-247-821-00	CARBON	390 5% 1/6W	R1471	1-247-825-00	CARBON	560 5% 1/6W
R666	1-247-821-00	CARBON	390 5% 1/6W	R1472	1-247-791-00	CARBON	22 5% 1/6W
R1401	1-247-839-00	CARBON	2.2K 5% 1/6W	R1473	1-247-853-00	CARBON	8.2K 5% 1/6W
R1402	1-247-831-00	CARBON	1K 5% 1/6W	R1474	1-247-851-00	CARBON	6.8K 5% 1/6W
R1403	1-247-861-00	CARBON	18K 5% 1/6W	R1475	1-247-855-00	CARBON	10K 5% 1/6W
R1404	1-247-845-00	CARBON	3.9K 5% 1/6W	R1476	1-247-815-00	CARBON	220 5% 1/6W
R1405	1-247-855-00	CARBON	10K 5% 1/6W	R1477	1-247-815-00	CARBON	220 5% 1/6W
R1406	1-247-843-00	CARBON	3.3K 5% 1/6W	R1478	1-247-815-00	CARBON	220 5% 1/6W
R1413	1-247-145-00	CARBON	3.9K 5% 1/4W	R1479	1-247-847-00	CARBON	4.7K 5% 1/6W
R1414	1-247-123-00	CARBON	470 5% 1/4W	R1480	1-247-847-00	CARBON	4.7K 5% 1/6W
R1415	1-247-149-00	CARBON	5.6K 5% 1/4W	R1481	1-247-831-00	CARBON	1K 5% 1/6W
R1417	1-247-823-00	CARBON	470 5% 1/6W	R1482	1-247-855-00	CARBON	10K 5% 1/6W
R1419	1-247-835-00	CARBON	1.5K 5% 1/6W	R1483	1-247-855-00	CARBON	10K 5% 1/6W
R1420	1-247-847-00	CARBON	4.7K 5% 1/6W	R1484	1-247-155-00	CARBON	10K 5% 1/4W
R1421	1-247-831-00	CARBON	1K 5% 1/6W	R1485	1-247-115-00	CARBON	220 5% 1/4W
R1423	1-247-827-00	CARBON	680 5% 1/6W	R1486	1-247-155-00	CARBON	10K 5% 1/4W
R1432	1-247-855-00	CARBON	10K 5% 1/6W	R1487	1-247-115-00	CARBON	220 5% 1/4W



Ref.No.	Part No.	Description	Remark	Ref.No.	Part No.	Description	Remark
R1488	1-247-155-00	CARBON 10K 5%	1/4W	<u>TRANSISTOR</u>			
R1489	1-247-115-00	CARBON 220 5%	1/4W	Q701	8-729-245-83	TRANSISTOR 2SC2458	
R1490	1-247-155-00	CARBON 10K 5%	1/4W	Q702	8-729-168-82	TRANSISTOR 2SC2688	
R1492	1-247-115-00	CARBON 220 5%	1/4W		4-370-970-01	SPACER, TR. Q702	
<u>VARIABLE RESISTOR</u>				Q703	8-729-245-83	TRANSISTOR 2SC2458	
RV401	1-226-853-00	RES. ADJ. CARBON 47K		Q704	8-729-168-82	TRANSISTOR 2SC2688	
RV402	1-226-852-00	RES. ADJ. CARBON 22K			4-370-970-01	SPACER, TR. Q704	
RV403	1-226-852-00	RES. ADJ. CARBON 22K		Q705	8-729-245-83	TRANSISTOR 2SC2458	
RV404	1-226-852-00	RES. ADJ. CARBON 22K		Q706	8-729-168-82	TRANSISTOR 2SC2688	
RV405	1-226-852-00	RES. ADJ. CARBON 22K			4-370-970-01	SPACER, TR. Q706	
<u>SWITCH</u>				<u>RESISTOR</u>			
S401	1-553-725-00	SWITCH, SLIDE		R701	1-247-839-00	CARBON 2.2K 5%	1/6W
S402	1-553-725-00	SWITCH, SLIDE		R702	1-247-823-00	CARBON 470 5%	1/6W
S403	1-553-725-00	SWITCH, SLIDE		R703	1-247-823-00	CARBON 470 5%	1/6W
*****				R704	1-247-793-00	CARBON 27 5%	1/6W
*A-1330-541-A	C1 BOARD, COMPLETE	*****		R705	1-206-743-00	METAL OXIDE 5.6K 5%	3W F
1-526-645-00	SOCKET, CRT			R706	1-247-813-00	CARBON 180 5%	1/6W
<u>CONNECTOR</u>				R708	1-247-838-00	CARBON 2K 5%	1/6W
C1	*1-508-765-00	3P PLUG (M)		R709	1-247-839-00	CARBON 2.2K 5%	1/6W
C2	*1-508-786-00	2P PLUG (M)		R710	1-247-823-00	CARBON 470 5%	1/6W
<u>CAPACITOR</u>				R711	1-247-823-00	CARBON 470 5%	1/6W
C701	1-123-356-00	ELECT 10MF 20%	25V	R712	1-247-793-00	CARBON 27 5%	1/6W
C703	1-102-116-00	CERAMIC 680PF 10%	50V	R713	1-206-743-00	METAL OXIDE 5.6K 5%	3W F
C704	1-124-039-51	ELECT 10MF 20%	16V	R714	1-247-813-00	CARBON 180 5%	1/6W
C705	1-102-116-00	CERAMIC 680PF 10%	50V	R716	1-247-838-00	CARBON 2K 5%	1/6W
C706	1-124-039-51	ELECT 10MF 20%	16V	R717	1-247-839-00	CARBON 2.2K 5%	1/6W
C707	1-102-116-00	CERAMIC 680PF 10%	50V	R718	1-247-823-00	CARBON 470 5%	1/6W
C708	1-124-039-51	ELECT 10MF 20%	16V	R719	1-247-823-00	CARBON 470 5%	1/6W
C709	1-121-759-00	ELECT 4.7MF	250V	R720	1-247-793-00	CARBON 27 5%	1/6W
C710	1-108-433-00	MYLAR 0.1MF 10%	200V	R721	1-206-743-00	METAL OXIDE 5.6K 5%	3W F
C711	1-102-038-00	CERAMIC 0.001MF	500V	R722	1-247-813-00	CARBON 180 5%	1/6W
C712	1-129-737-00	FILM 0.047MF 20%	630V	R723	1-247-779-00	CARBON 6.8 5%	1/6W
C713	1-123-356-00	ELECT 10MF 20%	50V	R724	1-247-838-00	CARBON 2K 5%	1/6W
C714	1-102-249-00	CERAMIC 680PF 20%	2KV	R725	1-247-095-00	CARBON 33 5%	1/4W
C715	1-102-219-00	CERAMIC 680PF 20%	1KV	R726	1-244-925-00	CARBON 150K 5%	1/2W
C716	1-102-074-00	CERAMIC 0.001MF 10%	50V	R727	1-202-824-00	SOLID 3.3K	1/2W
<u>DIODE</u>				R728	1-202-824-00	SOLID 3.3K	1/2W
D701	8-719-300-76	DIODE RH-1A		R729	1-202-824-00	SOLID 3.3K	1/2W
D702	8-719-300-76	DIODE RH-1A		R730	1-202-815-51	SOLID 47K	1/2W
D703	8-719-300-76	DIODE RH-1A		R731	1-202-719-00	SOLID 1M 10%	1/2W
<u>COIL</u>				R732	1-202-722-00	SOLID 1.8M 10%	1/2W
L701	1-407-701-00	MICRO INDUCTOR 47UH		R733	1-202-719-00	SOLID 1M 10%	1/2W
L702	1-407-701-00	MICRO INDUCTOR 47UH		R734	1-202-824-00	SOLID 3.3K	1/2W
L703	1-407-701-00	MICRO INDUCTOR 47UH		R735	1-202-720-00	SOLID 1.2M 10%	1/2W
L704	1-407-701-00	MICRO INDUCTOR 47UH		R736	1-202-834-00	SOLID 27K	1/2W
				R737	1-202-549-00	SOLID 100 5%	1/2W
				R738	1-202-842-51	SOLID 220K	1/2W
				<u>VARIABLE RESISTOR</u>			
				RV701	1-228-719-00	RES. ADJ. CERAMIC CARBON 470	
				RV702	1-228-723-00	RES. ADJ. CERAMIC CARBON 4.7K	

C1 C2 D

Ref.No.	Part No.	Description	Remark	Ref.No.	Part No.	Description	Remark
RV703	1-228-719-00	RES, ADJ, CERAMIC CARBON 4.7K		C525	1-108-583-00	MYLAR 0.015MF	5% 50V
RV704	1-228-723-00	RES, ADJ, CERAMIC CARBON 4.7K		C526	1-131-356-00	TANTALUM 3.3MF	10% 25V
RV705	1-228-719-00	RES, ADJ, CERAMIC CARBON 4.7K		C527	1-123-323-00	ELECT 470MF	20% 16V
RV706	1-228-723-00	RES, ADJ, CERAMIC CARBON 4.7K		C528	1-123-382-00	ELECT 3.3MF	20% 50V
RV707	1-228-719-00	RES, ADJ, CERAMIC CARBON 4.7K		C529	1-123-228-00	ELECT 1MF	20% 50V
RV708	1-228-723-00	RES, ADJ, CERAMIC CARBON 4.7K		C530	1-108-579-00	MYLAR 0.01MF	5% 50V
RV709	1-228-719-00	RES, ADJ, CERAMIC CARBON 4.7K		C531	1-108-595-00	MYLAR 0.047MF	5% 50V
RV710	1-228-723-00	RES, ADJ, CERAMIC CARBON 4.7K		C532	1-123-380-00	ELECT 1MF	20% 50V
RV711	1-228-719-00	RES, ADJ, CERAMIC CARBON 4.7K		C533	1-123-356-00	ELECT 10MF	20% 16V
RV712	1-228-723-00	RES, ADJ, CERAMIC CARBON 4.7K		C534	1-106-172-00	MYLAR 0.001MF	5% 50V
RV713	1-226-114-00	RES, ADJ, METAL GLAZE 2.2M		C535	1-123-356-00	ELECT 10MF	20% 25V
RV714	1-226-063-00	RES, ADJ, CARBON 2.2M		C751	1-123-380-00	ELECT 1MF	20% 50V
*****				C752	1-124-043-51	ELECT 2.2MF	20% 50V
*1-613-038-11 C2 BOARD				C753	1-124-038-00	ELECT 1MF	20% 50V
*****				C755	1-108-603-00	MYLAR 0.1MF	5% 50V
CONNECTOR				C756	1-124-038-00	ELECT 1MF	20% 50V
C4	*1-560-129-00	PLUG, CONNECTOR (2.5MM) 9P		C757	1-162-117-00	CERAMIC 100PF	10% 500V
C5	*1-560-129-00	PLUG, CONNECTOR (2.5MM) 9P		C758	1-108-824-00	MYLAR 0.47MF	5% 50V
SWITCH				C759	1-123-356-00	ELECT 10MF	20% 25V
S701	1-554-974-11	SWITCH, SLIDE		C760	1-124-126-00	ELECT 47MF	20% 25V
*****				C761	1-123-382-00	ELECT 3.3MF	20% 50V
*A-1345-472-A D BOARD, COMPLETE				C762	1-123-330-00	ELECT 22MF	20% 25V
*****				C764	1-123-334-00	ELECT 220MF	20% 25V
3-701-833-01 HEAD, WASHER, TAPPING SCREW				C766	1-123-380-00	ELECT 1MF	20% 50V
CAPACITOR				C767	1-123-380-00	ELECT 1MF	20% 50V
C503	1-102-121-00	CERAMIC 0.0022MF	10% 50V	C768	1-106-220-00	MYLAR 0.1MF	10% 100V
C504	1-106-208-00	MYLAR 0.033MF	10% 100V	C769	1-124-126-00	ELECT 47MF	20% 25V
C505	1-123-380-00	ELECT 1MF	20% 50V	C801	1-136-173-00	FILM 0.47MF	5% 50V
C506	1-108-587-00	MYLAR 0.022MF	5% 50V	C802	1-123-381-00	ELECT 2.2MF	20% 50V
C507	1-123-380-00	ELECT 1MF	20% 50V	C803	1-101-888-00	CERAMIC 68PF	5% 50V
C508	1-136-173-00	FILM 0.47MF	5% 50V	C804	1-123-380-00	ELECT 1MF	20% 50V
C509	1-123-380-00	ELECT 1MF	20% 50V	C805	1-102-531-00	CERAMIC 150PF	5% 50V
C511	1-123-356-00	ELECT 10MF	20% 25V	C806	1-106-172-00	MYLAR 0.001MF	5% 50V
C512	1-123-380-00	ELECT 1MF	20% 50V	C807	1-102-531-00	CERAMIC 150PF	5% 50V
C513	1-108-587-00	MYLAR 0.022MF	5% 50V	C808	1-123-369-00	ELECT 4.7MF	20% 25V
C514	1-108-595-00	MYLAR 0.047MF	5% 50V	C810	1-106-188-00	MYLAR 0.0047MF	5% 50V
C515	1-124-514-51	ELECT 100MF	20% 50V	C811	1-106-196-00	MYLAR 0.01MF	10% 100V
C516	1-102-228-00	CERAMIC 470PF	10% 500V	C813	1-106-204-00	MYLAR 0.022MF	10% 100V
C517	1-106-204-00	MYLAR 0.022MF	10% 100V	C814	1-106-180-00	MYLAR 0.0022MF	10% 100V
C518	1-123-356-00	ELECT 10MF	20% 25V	C815	1-129-794-00	FILM 0.0033MF	5% 100V
C519	1-123-228-00	ELECT 1MF	20% 50V	C816	1-123-381-00	ELECT 2.2MF	20% 50V
C520	1-123-330-00	ELECT 22MF	20% 25V	C817	1-123-381-00	ELECT 2.2MF	20% 50V
C521	1-123-336-00	ELECT 470MF	20% 25V	C818	1-123-330-00	ELECT 22MF	20% 25V
C522	1-123-330-00	ELECT 22MF	20% 16V	C819	1-123-330-00	ELECT 22MF	20% 25V
C523	1-123-330-00	ELECT 22MF	20% 16V	C821	1-123-381-00	ELECT 2.2MF	20% 50V
C524	1-123-380-00	ELECT 1MF	20% 50V	C822	1-123-380-00	ELECT 1MF	20% 50V
				C823	1-123-356-00	ELECT 10MF	20% 16V
				C824	1-123-356-00	ELECT 10MF	20% 50V
				C825	1-123-322-00	ELECT 330MF	20% 16V
				C827	1-123-379-00	ELECT 0.47MF	20% 50V
				C828	1-102-820-00	CERAMIC 330PF	5% 50V
				C829	1-106-385-00	MYLAR 0.056MF	10% 200V
				C830	1-102-030-00	CERAMIC 330PF	10% 500V

D

Ref.No.	Part No.	Description	Remark	Ref.No.	Part No.	Description	Remark
C832	1-161-961-11	CERAMIC	0.0022MF 10% 3KV	D3	*1-560-125-00	PLUG, CONNECTOR (2.5MM) 5P	
C833	1-108-431-00	MYLAR	0.068MF 10% 200V	D4	*1-508-765-00	3P PLUG (M)	
C834	1-136-064-11	FILM	0.002MF 3% 2KV	D5	*1-508-765-00	3P PLUG (M)	
C835	1-136-079-11	FILM	0.01MF 3% 2KV	D6	*1-564-038-00	CONNECTOR PLUG, DY (MINI) 6P	
C836	1-136-186-00	FILM	2.4MF 5% 200V	D7	*1-508-766-00	4P PLUG (M)	
C837	1-108-433-00	MYLAR	0.1MF 10% 200V	D8	*1-560-290-00	PLUG, CONNECTOR (2.5MM PITCH)	
C838	1-136-112-00	FILM	1.4MF 5% 200V	D9	*1-560-124-00	PLUG, CONNECTOR (2.5MM) 4P	
C839	1-130-566-00	MYLAR	2.2MF 10% 250V	D10	*1-560-123-00	PLUG, CONNECTOR (2.5MM PITCH)	
C840	1-123-123-00	FILM	0.51MF 5% 400V	D11	*1-560-123-00	PLUG, CONNECTOR (2.5MM) 3P	
C841	1-123-267-00	ELECT	2.2MF 20% 160V	D12	*1-560-123-00	PLUG, CONNECTOR (2.5MM) 3P	
C842	1-106-186-00	MYLAR	0.0039MF 10% 100V	<u>DIODE</u>			
C843	1-123-380-00	ELECT	1MF 20% 50V	D501	8-719-100-23	DIODE RD4.3E-B2	
C844	1-123-322-00	ELECT	330MF 20% 16V	D502	8-719-911-19	DIODE 1SS119	
C846	1-123-347-00	ELECT	330MF 20% 35V	D504	8-719-911-19	DIODE 1SS119	
C849	1-108-603-00	MYLAR	0.1MF 5% 50V	D505	8-719-911-19	DIODE 1SS119	
C850	1-129-706-00	FILM	0.0022MF 10% 630V	D506	8-719-911-55	DIODE U05G	
C851	1-106-367-00	MYLAR	0.01MF 10% 200V	D507	8-719-911-19	DIODE 1SS119	
C852	1-123-337-00	ELECT	1000MF 20% 25V	D751	8-719-911-19	DIODE 1SS119	
C853	1-102-212-00	CERAMIC	820PF 10% 500V	D752	8-719-911-19	DIODE 1SS119	
C854	1-121-999-00	ELECT	10MF 160V	D753	8-719-911-19	DIODE 1SS119	
C855	1-123-024-00	ELECT	33MF 160V	D754	8-719-911-19	DIODE 1SS119	
C856	1-108-429-00	MYLAR	0.047MF 10% 200V	D801	8-719-911-55	DIODE U05G	
C857	1-102-223-00	CERAMIC	0.0047MF 10% 2KV	D802	8-719-911-19	DIODE 1SS119	
C858	1-102-527-00	CERAMIC	82PF 5% 50V	D803	8-719-100-30	DIODE RD5.1E-B2	
C859	1-123-369-00	ELECT	4.7MF 20% 50V	D804	8-719-100-80	DIODE RD20E-B2	
C860	1-123-332-00	ELECT	47MF 20% 25V	D805	8-719-305-15	DIODE GH3F	
C861	1-136-065-11	FILM	0.0027MF 3% 2KV	D806	8-719-928-08	DIODE ERD28-08	
C862	1-136-066-11	FILM	0.003MF 3% 2KV	D807	8-719-901-93	DIODE V19E	
C863	1-136-064-11	FILM	0.002MF 3% 2KV	D808	8-719-901-93	DIODE V19E	
C865	1-106-367-00	MYLAR	0.01MF 10% 200V	D809	8-719-300-76	DIODE RH-1A	
C866	1-101-361-00	CERAMIC	150PF 5% 50V	D810	8-719-903-09	DIODE V30N	
C868	1-123-356-00	ELECT	10MF 20% 16V	D811	8-719-911-19	DIODE 1SS119	
C870	1-123-332-00	ELECT	47MF 20% 25V	D812	8-719-300-76	DIODE RH-1A	
C871	1-123-380-00	ELECT	1MF 20% 50V	D813	8-719-300-76	DIODE RH-1A	
C872	1-106-196-00	MYLAR	0.01MF 10% 100V	D814	8-719-911-19	DIODE 1SS119	
C873	1-123-323-00	ELECT	470MF 20% 16V	D815	8-719-911-19	DIODE 1SS119	
C874	1-106-196-00	MYLAR	0.01MF 10% 100V	D816	8-719-911-19	DIODE 1SS119	
C876	1-102-530-00	CERAMIC	120PF 5% 50V	D817	8-719-100-64	DIODE RD12E-B1	
C877	1-102-531-00	CERAMIC	150PF 5% 50V	D818	8-719-911-55	DIODE U05G	
C879	1-102-531-00	CERAMIC	150PF 5% 50V	<u>IC</u>			
C880	1-102-525-00	CERAMIC	68PF 5% 50V	IC501	8-759-100-60	IC UPC1377C	
C881	1-102-820-00	CERAMIC	330PF 5% 50V	IC502	8-759-979-16	IC CX7916	
C883	1-108-818-11	MYLAR	0.15MF 5% 50V	IC503	8-759-113-78	IC UPC1378H-L	
C884	1-123-356-00	ELECT	10MF 20% 25V	IC504	8-759-145-58	IC UPC4558C	
C885	1-108-599-00	MYLAR	0.068MF 5% 50V	IC801	8-759-345-38	IC HD14538BP	
C886	1-106-180-00	MYLAR	0.0022MF 5% 50V	IC802	8-759-240-11	IC TC4011BP	
C887	1-123-332-00	ELECT	47MF 20% 16V	IC803	8-759-145-58	IC UPC4558C	
C888	1-123-323-00	ELECT	470MF 20% 16V	IC804	6-066-717-10	IC TDA1082	
C889	1-108-818-71	MYLAR	0.15MF 5% 50V	IC805	8-759-700-06	IC UPC7812H	
<u>CONNECTOR</u>				*4-323-833-00	HEAT SINK, PIN OUT, IC805		
D1	*1-560-126-00	PLUG, CONNECTOR (2.5MM) 6P					
D2	*1-560-128-00	PLUG, CONNECTOR (2.5MM PITCH)					

The components identified by shading and mark **A** are critical for safety. Replace only with part number specified.

Les composants identifiés par une trame et une marque **A** sont critiques pour la sécurité. Ne les remplacer que par une pièce portant le numéro spécifié.

D

Ref.No.	Part No.	Description	Remark	Ref.No.	Part No.	Description	Remark
<u>COIL</u>							
L501	1-408-231-00	MICRO INDUCTOR 1MMH		Q817	8-729-204-83	TRANSISTOR 2SA1048GR	
L752	1-407-508-00	MICRO INDUCTOR 22MMH		Q818	8-729-204-83	TRANSISTOR 2SA1048GR	
L753	1-408-247-00	MICRO INDUCTOR 33MMH		Q819	8-729-245-83	TRANSISTOR 2SC2458	
L802	1-408-349-00	COIL, CHOKE		Q820	8-729-245-83	TRANSISTOR 2SC2458	
L803	1-408-238-00	MICRO INDUCTOR 3.9MMH		Q821	8-729-245-83	TRANSISTOR 2SC2458	
L804	1-459-241-11	COIL, HORIZONTAL LINEALITY		Q822	8-729-245-83	TRANSISTOR 2SC2458	
L805	1-459-568-11	COIL, CHOKE 980UH		Q823	8-729-245-83	TRANSISTOR 2SC2458	
L806	1-407-365-00	COIL, CHOKE		Q824	8-729-245-83	TRANSISTOR 2SC2458	
L807	1-459-104-00	COIL, DUST CORE		<u>RESISTOR</u>			
L808	1-407-364-00	COIL, SPOOK CHOKE 3.3UH		R504	1-247-847-00	CARBON 4.7K 5%	1/6W
L809	1-407-841-00	COIL 15UH		R505	1-247-869-00	CARBON 39K 5%	1/6W
L810	1-407-166-XX	MICRO INDUCTOR 56UH		R506	1-247-887-00	CARBON 220K 5%	1/6W
L811	1-459-155-00	COIL (WITH CORE) 45MH		R507	1-215-455-00	METAL 27K 1%	1/6W
L812	1-459-115-00	COIL, DCC-H		R508	1-247-833-00	CARBON 1.2K 5%	1/6W
L814	1-407-841-00	COIL 15UH		R509	1-215-473-00	METAL 150K 1%	1/6W
L816	1-408-247-00	MICRO INDUCTOR 33MMH		R510	1-215-461-00	METAL 47K 1%	1/6W
<u>TRANSISTOR</u>				R513	1-215-479-00	METAL 270K 1%	1/6W
Q502	8-729-900-36	TRANSISTOR DTC124ES		R514	1-215-463-00	METAL 56K 1%	1/6W
Q503	8-729-900-36	TRANSISTOR DTC124ES		R515	1-247-820-00	CARBON 360 5%	1/6W
Q504	8-729-900-36	TRANSISTOR DTC124ES		R516	1-247-827-00	CARBON 680 5%	1/6W
Q505	8-729-900-63	TRANSISTOR DTA124ES		R517	1-247-828-00	CARBON 750 5%	1/6W
Q508	8-729-245-83	TRANSISTOR 2SC2458		R518	1-247-815-00	CARBON 220 5%	1/6W
Q509	8-729-900-36	TRANSISTOR DTC124ES		R519	1-247-879-00	CARBON 100K 5%	1/6W
Q510	8-723-305-00	TRANSISTOR 2SK43-5		R520	1-247-847-00	CARBON 4.7K 5%	1/6W
Q751	8-729-245-83	TRANSISTOR 2SC2458		R521	1-247-886-00	CARBON 200K 5%	1/6W
Q752	8-729-313-42	TRANSISTOR 2SD1134		R522	1-215-458-00	METAL 36K 1%	1/6W
Q753	8-729-306-92	TRANSISTOR 2SD669A		R524	1-247-842-00	CARBON 3K 5%	1/6W
Q754	*4-329-153-00	HEAT SINK, V OUT, Q753		R525	1-247-857-00	CARBON 12K 5%	1/6W
Q755	8-729-177-43	TRANSISTOR 2SD774		R526	1-247-846-00	CARBON 4.3K 5%	1/6W
Q756	8-729-177-43	TRANSISTOR 2SD774		R527	1-247-863-00	CARBON 22K 5%	1/6W
Q757	8-729-177-43	TRANSISTOR 2SD774		R528	1-215-373-31	METAL 10 1%	1/6W
Q758	8-729-374-02	TRANSISTOR 2SB740		R529	1-213-137-00	METAL OXIDE 330 5%	1W F
Q760	8-729-245-83	TRANSISTOR 2SC2458		R530	1-213-137-00	METAL OXIDE 330 5%	1W F
Q801	8-729-245-83	TRANSISTOR 2SC2458		R531	1-247-874-00	CARBON 62K 5%	1/6W
Q802	8-729-204-83	TRANSISTOR 2SA1048GR		R532	1-247-870-00	CARBON 43K 5%	1/6W
Q803	8-729-245-83	TRANSISTOR 2SC2458		R533	1-247-824-00	CARBON 510 5%	1/6W
Q804	8-729-168-82	TRANSISTOR 2SC2688		R534	1-247-824-00	CARBON 510 5%	1/6W
Q805	8-729-800-87	TRANSISTOR 2SD1398		R542	1-212-366-00	METAL OXIDE 3.3 5%	1W F
	*4-363-404-00	HOLDER, IC, Q805		R544	1-247-230-00	CARBON 390 5%	1/2W
	4-363-414-00	SPACER, MICA, Q805		R545	1-247-837-00	CARBON 1.8K 5%	1/6W
Q806	8-729-313-82	TRANSISTOR 2SD1138		R546	1-247-851-00	CARBON 6.8K 5%	1/6W
Q807	8-729-900-36	TRANSISTOR DTC124ES		R547	1-247-831-00	CARBON 1K 5%	1/6W
Q808	8-729-900-36	TRANSISTOR DTC124ES		R548	1-247-849-00	CARBON 5.6K 5%	1/6W
Q810	8-729-900-36	TRANSISTOR DTC124ES		R549	1-247-855-00	CARBON 10K 5%	1/6W
Q811	8-729-204-83	TRANSISTOR 2SA1048GR		R550	1-247-878-00	CARBON 91K 5%	1/6W
Q812	8-729-245-83	TRANSISTOR 2SC2458		R551	1-247-871-00	CARBON 47K 5%	1/6W
Q813	8-729-900-36	TRANSISTOR DTC124ES		R552	1-247-853-00	CARBON 8.2K 5%	1/6W
Q816	8-729-245-83	TRANSISTOR 2SC2458		R553	1-247-847-00	CARBON 4.7K 5%	1/6W
				R554	1-247-886-00	CARBON 200K 5%	1/6W
				R555	1-247-849-00	CARBON 5.6K 5%	1/6W
				R556	1-247-859-00	CARBON 15K 5%	1/6W
				R558	1-247-873-00	CARBON 56K 5%	1/6W

The components identified by shading and mark **A** are critical for safety. Replace only with part number specified.

Les composants identifiés par une trame et une marque **A** sont critiques pour la sécurité. Ne les remplacer que par une pièce portant le numéro spécifié.

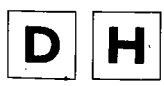
D

Ref.No.	Part No.	Description	Remark	Ref.No.	Part No.	Description	Remark
R559	1-247-855-00	CARBON	10K 5% 1/6W	R773	1-247-824-00	CARBON	510 5% 1/6W
R560	1-247-855-00	CARBON	10K 5% 1/6W	R774	1-247-817-00	CARBON	270 5% 1/6W
R561	1-247-876-00	CARBON	75K 5% 1/6W	R775	1-247-824-00	CARBON	510 5% 1/6W
R562	1-247-875-00	CARBON	68K 5% 1/6W	R776	1-247-819-00	CARBON	330 5% 1/6W
R563	1-247-875-00	CARBON	68K 5% 1/6W	R777	1-247-825-00	CARBON	560 5% 1/6W
R564	1-247-889-00	CARBON	270K 5% 1/6W	R778	1-247-875-00	CARBON	68K 5% 1/6W
R565	1-247-855-00	CARBON	10K 5% 1/6W	R779	1-247-855-00	CARBON	10K 5% 1/6W
R566	1-215-493-00	METAL	1M 1% 1/6W	R780	1-247-833-00	CARBON	1.2K 5% 1/6W
R567	1-247-877-00	CARBON	82K 5% 1/6W	R781	1-247-816-00	CARBON	240 5% 1/6W
R568	1-247-807-00	CARBON	100 5% 1/6W	R782	1-247-822-00	CARBON	430 5% 1/6W
R569	1-247-875-00	CARBON	68K 5% 1/6W	R783	1-247-817-00	CARBON	270 5% 1/6W
R570	1-247-870-00	CARBON	43K 5% 1/6W	R784	1-247-851-00	CARBON	6.8K 5% 1/6W
R571	1-247-831-00	CARBON	1K 5% 1/6W	R785	1-247-021-00	CARBON	1.5 5% 1/8W F
R572	1-247-831-00	CARBON	1K 5% 1/6W	R786	1-247-021-00	CARBON	1.5 5% 1/8W F
R573	1-247-881-00	CARBON	120K 5% 1/6W	R787	1-247-881-00	CARBON	120K 5% 1/6W
R574	1-247-873-00	CARBON	56K 5% 1/6W	R788	1-247-879-00	CARBON	100K 5% 1/6W
R575	1-247-849-00	CARBON	5.6K 5% 1/6W	R789	1-247-833-00	CARBON	1.2K 5% 1/6W
R576	1-247-839-00	CARBON	2.2K 5% 1/6W	R790	1-247-001-11	CARBON	15 5% 1/4W F
R577	1-247-815-00	CARBON	220 5% 1/6W	R801	1-247-837-00	CARBON	1.8K 5% 1/6W
R578	1-247-889-00	CARBON	270K 5% 1/6W	R802	1-247-861-00	CARBON	18K 5% 1/6W
R579	1-247-879-00	CARBON	100K 5% 1/6W	R803	1-247-875-00	CARBON	68K 5% 1/6W
R580	1-247-831-00	CARBON	1K 5% 1/6W	R804	1-247-867-00	CARBON	33K 5% 1/6W
R581	1-247-831-00	CARBON	1K 5% 1/6W	R805	1-247-835-00	CARBON	1.5K 5% 1/6W
R582	1-247-849-00	CARBON	5.6K 5% 1/6W	R806	1-247-839-00	CARBON	2.2K 5% 1/6W
R583	1-247-892-00	CARBON	360K 5% 1/6W	R807	1-247-894-00	CARBON	430K 5% 1/6W
R584	1-247-871-00	CARBON	47K 5% 1/6W	R808	1-247-865-00	CARBON	27K 5% 1/6W
R585	1-247-789-00	CARBON	18 5% 1/6W	R809	1-247-835-00	CARBON	1.5K 5% 1/6W
R586	1-247-855-00	CARBON	10K 5% 1/6W	R810	1-247-857-00	CARBON	12K 5% 1/6W
R587	1-247-831-00	CARBON	1K 5% 1/6W	R811	1-215-462-00	METAL	51K 1% 1/6W
R589	1-247-831-00	CARBON	1K 5% 1/6W	R812	1-247-873-00	CARBON	56K 5% 1/6W
R590	1-247-903-00	CARBON	1M 5% 1/6W	R813	1-247-825-00	CARBON	560 5% 1/6W
R591	1-247-886-00	CARBON	200K 5% 1/6W	R814	1-247-849-00	CARBON	5.6K 5% 1/6W
R592	1-212-364-00	METAL OXIDE	2.2 5% 1W F	R815	1-247-857-00	CARBON	12K 5% 1/6W
R751	1-247-874-00	CARBON	62K 5% 1/6W	R816	1-247-807-00	CARBON	100 5% 1/6W
R753	1-247-875-00	CARBON	68K 5% 1/6W	R817	1-247-877-00	CARBON	82K 5% 1/6W
R754	1-247-861-00	CARBON	18K 5% 1/6W	R818	1-247-868-00	CARBON	36K 5% 1/6W
R755	1-247-831-00	CARBON	1K 5% 1/6W	R819	1-247-857-00	CARBON	12K 5% 1/6W
R756	1-247-825-00	CARBON	560 5% 1/6W	R820	1-247-877-00	CARBON	82K 5% 1/6W
R757	1-247-831-00	CARBON	1K 5% 1/6W	R821	1-247-879-00	CARBON	100K 5% 1/6W
R758	1-247-819-00	CARBON	330 5% 1/6W	R822	1-247-879-00	CARBON	100K 5% 1/6W
R760	1-247-824-00	CARBON	510 5% 1/6W	R823	1-247-845-00	CARBON	3.9K 5% 1/6W
R761	1-247-831-00	CARBON	1K 5% 1/6W	R824	1-247-833-00	CARBON	1.2K 5% 1/6W
R762	1-247-827-00	CARBON	680 5% 1/6W	R825	1-247-855-00	CARBON	10K 5% 1/6W
R763	1-247-886-00	CARBON	200K 5% 1/6W	R826	1-215-473-00	METAL	150K 1% 1/6W
R764	1-247-846-00	CARBON	4.3K 5% 1/6W	R827	1-215-447-00	METAL	12K 1% 1/6W
R765	1-213-147-00	METAL OXIDE	2.2K 5% 1W F	R828	1-215-441-00	METAL	6.8K 1% 1/6W
R766	1-247-802-00	CARBON	62 5% 1/6W	R829	1-215-441-00	CARBON	6.8K 1% 1/6W
R767	1-247-807-00	CARBON	100 5% 1/6W	R830	1-247-867-00	CARBON	33K 5% 1/6W
R768	1-247-857-00	CARBON	12K 5% 1/6W	R831	1-247-864-00	CARBON	24K 5% 1/6W
R769	1-247-021-00	CARBON	1.5 5% 1/8W F	R832	1-247-841-00	CARBON	2.7K 5% 1/6W
R770	1-247-021-00	CARBON	1.5 5% 1/8W F	R833	1-215-449-00	METAL	15K 1% 1/6W
R771	1-247-874-00	CARBON	62K 5% 1/6W	R834	1-215-464-00	METAL	62K 1% 1/6W
R772	1-247-870-00	CARBON	43K 5% 1/6W	R835	1-215-467-00	METAL	82K 1% 1/6W

• The components identified by in this manual have been carefully factory-selected for each set in order to satisfy regulations regarding X-ray radiation. Select the resistance value according to SAFETY RELATED ADJUSTMENT

The components identified by shading and mark are critical for safety. Replace only with part number specified.

Les composants identifiés par une trame et une marque sont critiques pour la sécurité. Ne les remplacer que par une pièce portant le numéro spécifié.



Ref.No.	Part No.	Description	Remark	Ref.No.	Part No.	Description	Remark
R836	1-247-819-00	CARBON	330 5% 1/6W	R889	1-215-463-00	METAL	56K 1% 1/6W
R837	1-247-831-00	CARBON	1K 5% 1/6W	R890	1-212-360-00	METAL OXIDE	1 5% 1W F
R838	1-206-745-00	METAL OXIDE	6.8K 5% 3W F	R891 A	METAL	10K 1% 1/6W	
R839	1-247-662-00	CARBON	560 5% 1/4W F	R892	1-215-445-00	METAL	10K 1% 1/6W
R840	1-247-841-00	CARBON	2.7K 5% 1/6W	R893	1-247-851-00	CARBON	6.8K 5% 1/6W
R841	1-212-361-00	METAL OXIDE	1.2 5% 1W F	R894	1-247-869-00	CARBON	39K 5% 1/6W
R842	1-206-745-00	METAL OXIDE	6.8K 5% 3W F	R895	1-247-839-00	CARBON	2.2K 5% 1/6W
R843	1-247-851-00	CARBON	6.8K 5% 1/6W	R896	1-247-831-00	CARBON	1K 5% 1/6W
R844	1-213-126-00	METAL OXIDE	39 5% 1W F	R897	1-247-846-00	CARBON	4.3K 5% 1/6W
R845	1-215-465-00	METAL	68K 1% 1/6W	R898	1-247-831-00	CARBON	1K 5% 1/6W
R846	1-247-819-00	CARBON	330 5% 1/6W	R899	1-247-823-00	CARBON	470 5% 1/6W
R847	1-247-855-00	CARBON	10K 5% 1/6W	<u>VARIABLE RESISTOR</u>			
R848	1-247-846-00	CARBON	4.3K 5% 1/6W	RV501	1-228-577-00	RES. ADJ. CARBON	220
R849	1-247-861-00	CARBON	18K 5% 1/6W	RV502	1-228-724-00	RES. ADJ. CARBON	10K
R850	1-247-844-00	CARBON	3.6K 5% 1/6W	RV503	1-226-848-00	RES. ADJ. CARBON	2.2K
R851	1-247-861-00	CARBON	18K 5% 1/6W	RV504	1-226-852-00	RES. ADJ. CARBON	22K
R852	1-247-863-00	CARBON	22K 5% 1/6W	RV505	1-224-249-XX	RES. ADJ. METAL GLAZE	1K
R853	1-247-845-00	CARBON	3.9K 5% 1/6W	RV506	1-226-855-00	RES. ADJ. CARBON	220K
R854	1-247-815-00	CARBON	220 5% 1/6W	RV507	1-226-850-00	RES. ADJ. CARBON	4.7K
R855	1-247-819-00	CARBON	330 5% 1/6W	RV751	1-226-850-00	RES. ADJ. CARBON	4.7K
R856	1-247-853-00	CARBON	8.2K 5% 1/6W	RV752	1-228-724-00	RES. ADJ. CARBON	10K
R857	1-247-879-00	CARBON	100K 5% 1/6W	RV753	1-226-850-00	RES. ADJ. CARBON	4.7K
R858	1-247-890-00	CARBON	300K 5% 1/6W	RV802	1-228-160-11	RES. ADJ. METAL GLAZE	5K
R859	1-247-867-00	CARBON	33K 5% 1/6W	RV803	1-226-849-00	RES. ADJ. CARBON	3.3K
R860	1-217-418-00	FUSIBLE	0.47 10% 1/2W F	RV804	1-226-847-00	RES. ADJ. CARBON	1K
R861	1-217-418-00	FUSIBLE	0.47 10% 1/2W F	RV805	1-226-845-00	RES. ADJ. CARBON	330
R862	1-244-923-00	CARBON	120K 5% 1/2W	RV806	1-226-849-00	RES. ADJ. CARBON	3.3K
R863	1-244-923-00	CARBON	120K 5% 1/2W	RV807	1-226-848-00	RES. ADJ. CARBON	2.2K
R864	1-246-488-00	CARBON	4.3K 5% 1/4W	RV808	1-223-102-00	RES. ADJ. WIREWOUND	120
R865	1-247-147-00	CARBON	4.7K 5% 1/4W	RV809	1-226-192-00	RES. ADJ. CARBON	47K
R866	1-247-614-00	CARBON	3.3K 5% 1/8W	RV811	1-226-857-00	RES. ADJ. CARBON	470K
R867	1-213-143-00	METAL OXIDE	1K 5% 1W F	RV812	1-226-853-00	RES. ADJ. CARBON	47K
R868	1-213-147-00	METAL OXIDE	2.2K 5% 1W F	<u>TRANSFORMER</u>			
R869	1-213-127-00	METAL OXIDE	47 5% 1W F	T801	1-437-090-00	HDT	
R870	1-247-867-00	CARBON	33K 5% 1/6W	T803 A	1-421-693-11	TRANSFORMER, FERRITE	
R871	1-247-839-00	CARBON	2.2K 5% 1/6W	<u>THERMISTOR</u>			
R872	1-247-877-00	CARBON	82K 5% 1/6W	TH501	1-806-110-00	THERMISTOR	
R873	1-247-855-00	CARBON	10K 5% 1/6W	TH751	1-800-071-XX	THERMISTOR, S-300	
R874	1-247-865-00	CARBON	27K 5% 1/6W	*****			
R875	1-247-843-00	CARBON	3.3K 5% 1/6W	*1-613-041-11	H BOARD	*****	
R876	1-212-364-00	METAL OXIDE	2.2 5% 1W F	*4-365-401-00	HOLDER (10 GANG), LED		
R877	1-247-874-00	CARBON	62K 5% 1/6W	<u>DIODE</u>			
R878	1-247-894-00	CARBON	430K 5% 1/6W	D681	8-719-114-34	DIODE SY432D	
R879	1-247-841-00	CARBON	2.7K 5% 1/6W	D682	8-719-114-34	DIODE SY432D	
R880	1-247-839-00	CARBON	2.2K 5% 1/6W	D683	8-719-114-34	DIODE SY432D	
R881	1-247-855-00	CARBON	10K 5% 1/6W	D684	8-719-114-34	DIODE SY432D	
R882	1-247-831-00	CARBON	1K 5% 1/6W				
R883	1-247-841-00	CARBON	2.7K 5% 1/6W				
R884	1-247-841-00	CARBON	2.7K 5% 1/6W				
R885	1-247-881-00	CARBON	120K 5% 1/6W				
R886	1-247-845-00	CARBON	3.9K 5% 1/8W				
R887	1-247-807-00	CARBON	100 5% 1/6W				
R888	1-215-477-00	METAL	220K 1% 1/6W				

• The components identified by **A** in this manual have been carefully factory-selected for each set in order to satisfy regulations regarding X-ray radiation. Select the resistance value according to SAFETY RELATED ADJUSTMENT.

The components identified by shading and mark **A** are critical for safety. Replace only with part number specified.

Les composants identifiés par une trame et une marque **A** sont critiques pour la sécurité. Ne les remplacer que par une pièce portant le numéro spécifié.

H

Ref.No.	Part No.	Description	Remark	Ref.No.	Part No.	Description	Remark
D685	8-719-114-34	DIODE SY432D		V901	△ 8-738-312-05	CRT (330YB22)	
D686	8-719-114-34	DIODE SY432D		*****			
D687	8-719-114-34	DIODE SY432D		ACCESSORIES AND PACKING MATERIALS			
D688	8-719-114-34	DIODE SY432D		*****			
D689	8-719-114-34	DIODE SY432D		Part No. Description Remark			
D690	8-719-102-34	DIODE SG232D		4-316-037-00	BAG, POLYETHYLENE		
<u>TRANSISTOR</u>				4-364-734-00	CUSHION (UPPER) (ASSY)		
Q681	8-729-204-83	TRANSISTOR 2SA1048GR		4-364-735-00	CUSHION (LOWER) (ASSY)		
<u>RESISTOR</u>				4-365-428-01	INDIVIDUAL CARTON		
R681	1-247-855-00	CARBON 10K 5% 1/6W		4-491-213-22	INSTRUCTION		
R682	1-247-868-00	CARBON 36K 5% 1/6W		4-493-991-11	MANUAL, INSTRUCTION		
R684	1-247-854-00	CARBON 9.1K 5% 1/6W					
R685	1-247-831-00	CARBON 1K 5% 1/6W					
R686	1-247-831-00	CARBON 1K 5% 1/6W					
R687	1-247-851-00	CARBON 6.8K 5% 1/6W					
R688	1-247-831-00	CARBON 1K 5% 1/6W					
R689	1-247-837-00	CARBON 1.8K 5% 1/6W					
<u>VARIABLE RESISTOR</u>							
RV681	1-228-937-00	RES, VAR, CARBON 20K					
RV682	1-228-938-00	RES, VAR, CARBON 20K					
RV683	1-228-938-00	RES, VAR, CARBON 20K					
RV684	1-228-938-00	RES, VAR, CARBON 20K					
RV685	1-228-936-00	RES, VAR, CARBON 10K					
RV686	1-228-936-00	RES, VAR, CARBON 10K					
<u>SWITCH</u>							
S671	1-516-777-XX	SLIDE SWITCH					
S672	1-516-777-XX	SLIDE SWITCH					
S673	1-516-777-XX	SLIDE SWITCH					
S674	1-554-118-00	SWITCH, PUSH					
S675	1-554-405-00	SWITCH, PUSH (5 KEY)					

<u>MISCELLANEOUS</u>							

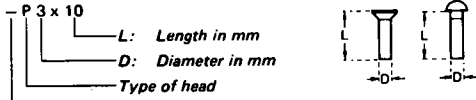
△ 1-162-142-21	CAP, BLOCK, HIGH VOLTAGE						
△ 1-228-482-13	RESISTOR, ASSY, HIGH VOLTAGE						
△ 1-451-239-11	DEFLECTION YOKE (SY-97A)						
1-452-032-00	MAGNET, DISK; 10MM Ø						
1-452-094-00	MAGNET, ROTABLE DISK; 15MM Ø						
1-452-146-21	MAGNET, BMC						
△ 1-452-214-12	CRT NECK ASSY (H TYPE)						
△ 1-534-517-31	CORD, AC						
*1-556-528-00	CONNECTOR ASSY (MINI, DY) 6P						
C901	1-123-337-00	CAP, ELECT 1000MF					
L901	△ 1-426-086-12	COIL, DEGAUSSING					
S901	△ 1-553-584-12	SWITCH, PUSH (POWER)					
SP901	1-503-109-00	SPEAKER					
T802	△ 1-439-308-12	TRANSFORMER ASSY, FLYBACK					

The components identified by shading and mark △ are critical for safety. Replace only with part number specified.

Les composants identifiés par une trame et une marque △ sont critiques pour la sécurité. Ne les remplacer que par une pièce portant le numéro spécifié.

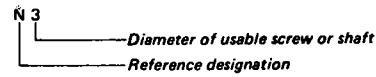
HARDWARE NOMENCLATURE

Screw:



Indicated slotted-head only.
Unless otherwise indicated, it means cross-recessed head (Phillips type).

Nut, Washer, Retaining ring:

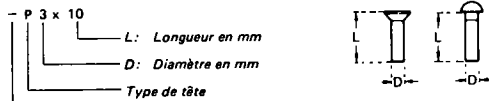


Reference Designation	Shape	Description	Remarks
SCREWS			
P		pan-head screw	binding-head (B) screw for replacement
PWH		pan-head screw with washer face	binding-head (B) screw and flat washer for replacement
PS PSP		pan-head screw with spring washer	binding-head (B) screw and spring washer for replacement
PSW PSPW		pan-head screw with spring and flat washers	binding-head (B) screw and spring and flat washers for replacement
R		round-head screw	binding-head (B) screw for replacement
K		flat-countersunk-head screw	
RK		oval-countersunk-head screw	
B		binding-head screw	
T		truss-head screw	binding-head (B) screw for replacement
F		flat-fillister-head screw	
RF		fillister-head screw	
BV		brazier-head screw	

Reference Designation	Shape	Description	Remarks
SELF-TAPPING SCREWS			
TA		self-tapping screw	ex: TA, P 3 x 10
PTP		pan-head self-tapping screw	binding-head self-tapping (TA, B) screw for replacement
PTPWH		pan-head self-tapping screw with washer face	binding-head self-tapping (TA, B) screw and flat washer for replacement
PTTWH		pan-head thread-rolling screw with washer face	binding-head (B) screw and flat washer for replacement
SET SCREWS			
SC		set screw	
SC		hexagon-socket set screw	ex: SC 2.6 x 4, hexagon socket
NUT			
N		nut	
WASHERS			
W		flat washer	
SW		spring washer	
LW		internal-tooth lock washer	ex: LW3, internal
LW		external-tooth lock washer	ex: LW3, external
RETAINING RINGS			
E		retaining ring	
G		grip-type retaining ring	

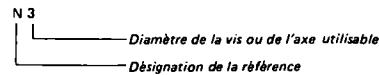
NOMENCLATURE FERRONNERIE

Vis:



Précise le type de rainure de la tête.
Sauf indication contraire il s'agit de vis cruciforme (Type Phillips)

Ecrou, Rondelle, Circlips:



Désignation de la référence	Forme	Description	Remarques
VIS			
P		Vis à tête cylindrique large	Peut être remplacée par une vis à tête cylindrique (B).
PWH		Vis à tête cylindrique large et rondelle fixe.	Peut être remplacée par une vis à tête cylindrique (B) et une rondelle fixe.
PS PSP		Vis à tête cylindrique large et rondelle à ressort fixe.	Peut être remplacée par une vis à tête cylindrique (B) et une rondelle à ressort.
PSW PSPW		Vis à tête cylindrique large et rondelles plates et à ressort.	Peut être remplacée par une vis à tête cylindrique (B) et une rondelle plate plus une rondelle à ressort.
R		Vis à tête ronde	Peut être remplacée par une vis à tête cylindrique (B).
K		Vis à tête fraisée	
RK		Vis à tête fraisée bombée	
B		Vis à tête cylindrique	
T		Vis à tête ronde large	Peut être remplacée par une vis à tête cylindrique (B).
F		Vis à tête moulée plate	
RF		Vis à tête moulée	
BV		Vis à tête soudée	

Désignation de la référence	Forme	Description	Remarques
VIS AUTOTARODEUSES			
TA		Vis autotarodeuse	ex: TA, P 3 x 10
PTP		Vis autotarodeuse à tête cylindrique large.	Peut être remplacée par une vis autotarodeuse à tête cylindrique (TA, B).
PTPWH		Vis autotarodeuse à tête cylindrique large et rondelle fixe.	Peut être remplacée par une vis autotarodeuse à tête cylindrique (TA, B) et une rondelle plate.
PTTWH		Vis à tige filetée et tête cylindrique large avec rondelle fixe.	Peut être remplacée par une vis à tête cylindrique (B) et une rondelle plate.
VIS DE SERRAGE			
SC		Vis de serrage	
SC		Vis de serrage à douille hexagonale	ex: SC 2,6 x 4, douille hexagonale
ECROU			
N		Ecrou	
RONDELLES			
W		Rondelle plate	
SW		Rondelle à ressort	
LW		Rondelle éventail denture intérieure	ex: LW3, intérieure
LW		Rondelle éventail denture extérieure	ex: LW3, extérieure
CIRCLIPS			
E		Circlips	
G		Circlips à griffe	

SGD

X-4364-702-3 white
X-4364-704-5 white
PVM 1220Q
02
-0 CUM-1270

